

Operation

Residential/Commercial Generator Sets



Models:

14/20RESA
14/20RESAL
20RESC
20RESCL

Controller:

RDC2

KOHLER®

TP-6804 2/21o

⚠ WARNING: This product can expose you to chemicals, including carbon monoxide and benzene, which are known to the State of California to cause cancer and birth defects or other reproductive harm. For more information go to www.P65warnings.ca.gov

Kohler strongly recommends that only factory-authorized distributors or dealers install and service the generator.

Product Identification Information

Product identification numbers determine service parts. Record the product identification numbers in the spaces below immediately after unpacking the products so that the numbers are readily available for future reference. Record field-installed kit numbers after installing the kits.

Generator Set Identification Numbers

Record the product identification numbers from the generator set nameplate(s).

Model Designation _____
Specification Number _____
Serial Number _____

| Accessory Number | Accessory Description |
|------------------|-----------------------|
| _____ | _____ |
| _____ | _____ |
| _____ | _____ |
| _____ | _____ |
| _____ | _____ |
| _____ | _____ |
| _____ | _____ |
| _____ | _____ |
| _____ | _____ |
| _____ | _____ |
| _____ | _____ |
| _____ | _____ |
| _____ | _____ |
| _____ | _____ |
| _____ | _____ |

Controller Identification

Record the controller description from the generator set operation manual, spec sheet, or sales invoice.

Controller Description _____

Engine Identification

Record the product identification information from the engine nameplate.

Manufacturer _____
Model Designation _____
Serial Number _____

Table of Contents

| | |
|--|-----------|
| Product Identification Information | 2 |
| Safety Precautions and Instructions | 7 |
| Introduction | 11 |
| Service Assistance | 13 |
| Section 1 Descriptions and Service Views | 15 |
| 1.1 Introduction | 15 |
| 1.2 Engine | 15 |
| 1.3 Alternator | 15 |
| 1.4 Generator Set Enclosure | 15 |
| 1.5 Transfer Switch | 15 |
| 1.6 Controllers | 15 |
| 1.7 OnCue Plus Generator Management System | 17 |
| 1.8 Accessories | 17 |
| 1.8.1 Cold Weather Package Kit, 120/240VAC | 17 |
| 1.8.2 Programmable Interface Module (PIM) | 17 |
| 1.8.3 Load Management | 17 |
| 1.8.4 Carburetor Heater, 120/240VAC | 18 |
| 1.8.5 Fuel Regulator Heater, 120/240VAC (20kW models only) | 19 |
| 1.8.6 Emergency Stop Kit | 19 |
| 1.8.7 Battery Heater Kit, 120/240VAC | 20 |
| 1.8.8 Breather Tube Heater and Oil Heater Kit, 120/240VAC | 20 |
| 1.8.9 Alternator Weather Cover Kit | 21 |
| 1.8.10 Oil Pressure Sensor Boot Kit | 21 |
| 1.9 Service Views | 22 |
| Section 2 Generator Set Operation | 23 |
| 2.1 Operating Area | 23 |
| 2.2 Prestart Checklist | 23 |
| 2.3 Exercising the Generator Set | 24 |
| 2.4 Generator Set Operation | 24 |
| 2.4.1 Local Starting and Stopping | 24 |
| 2.4.2 Automatic Operation | 24 |
| 2.4.3 Remote Starting and Stopping | 24 |
| 2.4.4 Remote Emergency Stop Switch | 24 |
| 2.4.5 Shutdown Switch | 25 |
| 2.4.6 Engine Start Crank Cycle | 25 |
| 2.4.7 Engine Cooldown | 26 |
| 2.4.8 Automatic Operation with Model RXT Transfer Switch | 26 |
| 2.4.9 Automatic Operation with Other Transfer Switches | 26 |
| 2.5 Exercise | 26 |
| 2.5.1 Setting the Exerciser | 27 |
| 2.5.2 Unloaded Cycle Exercise with Complete System Diagnostics | 27 |
| 2.5.3 Unloaded Full-Speed Exercise | 27 |
| 2.5.4 Loaded Full-Speed Exercise (with RXT only) | 28 |
| 2.5.5 Shutdown During Exercise (Advanced Diagnostic) | 28 |
| 2.5.6 Power Failure During Exercise Cycle | 28 |
| 2.6 Faults | 29 |
| 2.6.1 Warnings | 29 |
| 2.6.2 Shutdowns | 29 |
| 2.6.3 ATS Communication Errors | 29 |
| 2.6.4 Resetting the Controller after a Fault Shutdown | 29 |
| 2.6.5 Faults Related to Paralleling | 33 |

Table of Contents, continued

| | |
|--|-----------|
| Section 3 RDC2 Controller Operation | 35 |
| 3.1 RDC2 Generator Set/Transfer Switch Controller | 35 |
| 3.2 Controls and Indicators | 35 |
| 3.2.1 Controller Keypad | 36 |
| 3.2.2 LED Indicators | 36 |
| 3.2.3 LCD Display | 37 |
| 3.3 Controller Power | 38 |
| 3.4 Battery Charging | 38 |
| 3.5 Changing Settings | 38 |
| 3.6 Setting the Exerciser | 40 |
| 3.6.1 Setting the Exerciser at Controller Power-up | 40 |
| 3.6.2 Changing the Exercise Settings | 40 |
| 3.7 RDC2 Controller Menus | 42 |
| 3.8 Main Menu | 42 |
| 3.9 Overview Menu | 44 |
| 3.10 Engine Metering Menu | 44 |
| 3.11 Generator Metering Menu | 45 |
| 3.12 Generator Set Information Menu | 46 |
| 3.13 Genset Run Time Menu | 46 |
| 3.14 Genset System Menu | 47 |
| 3.15 ATS Status Menu | 48 |
| 3.16 ATS Configuration Menu | 49 |
| 3.17 Date and Time Menu | 50 |
| 3.18 Networking Information Menus | 50 |
| 3.18.1 Networking Status Submenu | 51 |
| 3.18.2 Networking Configuration Submenu (OnCue Password) | 52 |
| 3.18.3 RBUS Information | 54 |
| 3.18.4 Remote Devices Submenu | 55 |
| 3.19 Programmable Interface Module (PIM) Status Menu | 56 |
| 3.20 Load Control Menus | 57 |
| 3.21 Event Log | 58 |
| Section 4 Scheduled Maintenance | 59 |
| 4.1 Scheduled Maintenance | 59 |
| 4.1.1 Service Schedule, 14 kW Models | 60 |
| 4.1.2 Service Schedule, 20 kW Models | 61 |
| 4.2 Lubrication System | 62 |
| 4.2.1 Low Oil Pressure Shutdown | 62 |
| 4.2.2 Oil Check | 62 |
| 4.2.3 Engine Oil Recommendation | 62 |
| 4.2.4 Oil Change Procedure | 63 |
| 4.2.5 Resetting the Maintenance Timer | 64 |
| 4.2.6 Oil Cooler (20 kW models) | 64 |
| 4.3 Spark Plugs | 64 |
| 4.4 Air Cleaner Service | 65 |
| 4.4.1 Air Cleaner, 14 kW Models | 65 |
| 4.4.2 Air Cleaner, 20 kW Models | 66 |
| 4.5 Cooling System | 67 |
| 4.6 Exhaust System | 67 |
| 4.7 Fuel Regulator Vent Tubes | 67 |
| 4.8 Battery | 68 |
| 4.8.1 Cleaning the Battery | 68 |
| 4.8.2 Checking Electrolyte Level | 68 |
| 4.8.3 Checking Specific Gravity | 69 |
| 4.9 Storage Procedure | 70 |

Table of Contents, continued

| | | |
|-------------------|---|-----------|
| 4.9.1 | Lubricating System | 70 |
| 4.9.2 | Fuel System | 70 |
| 4.9.3 | Cylinder Lubrication | 70 |
| 4.9.4 | Exterior Preparation | 70 |
| 4.9.5 | Battery | 70 |
| Section 5 | Troubleshooting | 71 |
| 5.1 | Introduction | 71 |
| 5.2 | Fault Messages | 71 |
| 5.3 | Circuit Protection | 71 |
| 5.3.1 | Controller Internal Circuit Protection | 71 |
| 5.3.2 | Line Circuit Breaker | 71 |
| 5.4 | USB Port and Auxiliary Winding Mini-Breaker | 71 |
| 5.5 | Stop Switches | 71 |
| 5.6 | Thermostat | 72 |
| 5.7 | Troubleshooting | 73 |
| Appendix A | Abbreviations | 75 |
| Appendix B | DC2 Controller Operation | 77 |

Notes

Safety Precautions and Instructions

IMPORTANT SAFETY INSTRUCTIONS. Electromechanical equipment, including generator sets, transfer switches, switchgear, and accessories, can cause bodily harm and pose life-threatening danger when improperly installed, operated, or maintained. To prevent accidents be aware of potential dangers and act safely. Read and follow all safety precautions and instructions. **SAVE THESE INSTRUCTIONS.**

This manual has several types of safety precautions and instructions: Danger, Warning, Caution, and Notice.

DANGER

DANGER indicates a hazardous situation which, if not avoided, will result in death or serious injury.

WARNING

WARNING indicates a hazardous situation which, if not avoided, could result in death or serious injury.

CAUTION



CAUTION indicates a hazardous situation which, if not avoided, could result in minor or moderate injury.

NOTICE

NOTICE is used to address practices not related to physical injury.



Safety decals affixed to the equipment in prominent places alert the operator or service technician to potential hazards and explain how to act safely. The decals are shown throughout this publication to improve operator recognition. Replace missing or damaged decals.



Accidental Starting

| |
|---|
|  WARNING |
|  |
| Accidental starting. Can cause severe injury or death. |
| Disconnect the battery cables before working on the generator set. Remove the negative (-) lead first when disconnecting the battery. Reconnect the negative (-) lead last when reconnecting the battery. |

Disabling the generator set. Accidental starting can cause severe injury or death. Before working on the generator set or equipment connected to the set, disable the generator set as follows: (1) Press the generator set off/reset button to shut down the generator set. (2) Disconnect the power to the battery charger, if equipped. (3) Remove the battery cables, negative (-) lead first. Reconnect the negative (-) lead last when reconnecting the battery. Follow these precautions to prevent the starting of the generator set by the remote start/stop switch.

Battery

| |
|--|
|  WARNING |
|  |
| Sulfuric acid in batteries. Can cause severe injury or death. |
| Wear protective goggles and clothing. Battery acid may cause blindness and burn skin. |

| |
|---|
|  WARNING |
|  |
| Explosion. Can cause severe injury or death. Relays in the battery charger cause arcs or sparks. |
| Locate the battery in a well-ventilated area. Isolate the battery charger from explosive fumes. |


Battery electrolyte is a diluted sulfuric acid. Battery acid can cause severe injury or death. Battery acid can cause blindness and burn skin. Always wear splashproof safety goggles, rubber gloves, and boots when servicing the battery. Do not open a sealed battery or mutilate the battery case. If battery acid splashes in the eyes or on the skin, immediately flush the affected area for 15 minutes with large quantities of clean water. Seek immediate medical aid in the case of eye contact. Never add acid to a battery after placing the battery in service, as this may result in hazardous spattering of battery acid.

Battery acid cleanup. Battery acid can cause severe injury or death. Battery acid is electrically conductive and corrosive. Add 500 g (1 lb.) of bicarbonate of soda (baking soda) to a container with 4 L (1 gal.) of water and mix the neutralizing solution. Pour the neutralizing solution on the spilled battery acid and continue to add the neutralizing solution to the spilled battery acid until all evidence of a chemical reaction (foaming) has ceased. Flush the resulting liquid with water and dry the area.

Battery gases. Explosion can cause severe injury or death. Battery gases can cause an explosion. Do not smoke or permit flames or sparks to occur near a battery at any time, particularly when it is charging. Do not dispose of a battery in a fire. To prevent burns and sparks that could cause an explosion, avoid touching the battery terminals with tools or other metal objects. Remove all jewelry before servicing the equipment. Discharge static electricity from your body before touching batteries by first touching a grounded metal surface away from the battery. To avoid sparks, do not disturb the battery charger connections while the battery is charging. Always turn the battery charger off before disconnecting the battery connections. Ventilate the compartments containing batteries to prevent accumulation of explosive gases.

Battery short circuits. Explosion can cause severe injury or death. Short circuits can cause bodily injury and/or equipment damage. Disconnect the battery before generator set installation or maintenance. Remove all jewelry before servicing the equipment. Use tools with insulated handles. Remove the negative (-) lead first when disconnecting the battery. Reconnect the negative (-) lead last when reconnecting the battery. Never connect the negative (-) battery cable to the positive (+) connection terminal of the starter solenoid. Do not test the battery condition by shorting the terminals together.

Engine Backfire/Flash Fire


| |
|---|
| ⚠ WARNING |
|  |
| Risk of fire. Can cause severe injury or death. |
| Do not smoke or permit flames or sparks near fuels or the fuel system. |

Servicing the air cleaner. A sudden backfire can cause severe injury or death. Do not operate the generator set with the air cleaner removed.

Servicing the fuel system. A flash fire can cause severe injury or death. Do not smoke or permit flames or sparks near the carburetor, fuel line, fuel filter, fuel pump, or other potential sources of spilled fuels or fuel vapors. Catch fuels in an approved container when removing the fuel line or carburetor.

Combustible materials. A fire can cause severe injury or death. Generator set engine fuels and fuel vapors are flammable and explosive. Handle these materials carefully to minimize the risk of fire or explosion. Equip the compartment or nearby area with a fully charged fire extinguisher. Select a fire extinguisher rated ABC or BC for electrical fires or as recommended by the local fire code or an authorized agency. Train all personnel on fire extinguisher operation and fire prevention procedures.

Exhaust System

| |
|---|
| ⚠ WARNING |
|  |
| Carbon monoxide. Can cause severe nausea, fainting, or death. |
| The exhaust system must be leakproof and routinely inspected. |

Generator set operation. Carbon monoxide can cause severe nausea, fainting, or death. Carbon monoxide is an odorless, colorless, tasteless, nonirritating gas that can cause death if inhaled for even a short time. Avoid breathing exhaust fumes when working on or near the generator set. Never operate the generator set inside a building. Never operate the generator set where exhaust gas could seep inside or be drawn into a potentially occupied building through windows, air intake vents, or other openings.



Carbon monoxide detectors. Carbon monoxide can cause severe nausea, fainting, or death. Install carbon monoxide detectors on each level of any building adjacent to the generator set. Locate the detectors to adequately warn the building's occupants of the presence of carbon monoxide. Keep the detectors operational at all times. Periodically test and replace the carbon monoxide detectors according to the manufacturer's instructions.

Carbon monoxide symptoms. Carbon monoxide can cause severe nausea, fainting, or death. Carbon monoxide is a poisonous gas present in exhaust gases. Carbon monoxide is an odorless, colorless, tasteless, nonirritating gas that can cause death if inhaled for even a short time. Carbon monoxide poisoning symptoms include but are not limited to the following:

- Light-headedness, dizziness
- Physical fatigue, weakness in joints and muscles
- Sleepiness, mental fatigue, inability to concentrate or speak clearly, blurred vision
- Stomachache, vomiting, nausea

If experiencing any of these symptoms and carbon monoxide poisoning is possible, seek fresh air immediately and remain active. Do not sit, lie down, or fall asleep. Alert others to the possibility of carbon monoxide poisoning. Seek medical attention if the condition of affected persons does not improve within minutes of breathing fresh air.


Fuel System

| |
|---|
| ⚠ WARNING |
|   |
| <p>Explosive fuel vapors. Can cause severe injury or death.</p> <p>Use extreme care when handling, storing, and using fuels.</p> |

The fuel system. Explosive fuel vapors can cause severe injury or death. Vaporized fuels are highly explosive. Use extreme care when handling and storing fuels. Store fuels in a well-ventilated area away from spark-producing equipment and out of the reach of children. Never add fuel to the tank while the engine is running because spilled fuel may ignite on contact with hot parts or from sparks. Do not smoke or permit flames or sparks to occur near sources of spilled fuel or fuel vapors. Keep the fuel lines and connections tight and in good condition. Do not replace flexible fuel lines with rigid lines. Use flexible sections to avoid fuel line breakage caused by vibration. Do not operate the generator set in the presence of fuel leaks, fuel accumulation, or sparks. Repair fuel systems before resuming generator set operation.


Gas fuel leaks. Explosive fuel vapors can cause severe injury or death. Fuel leakage can cause an explosion. Check the LPG vapor or natural gas fuel system for leakage by using a soap and water solution with the fuel system test pressurized to 6-8 ounces per square inch (10- 14 inches water column). Do not use a soap solution containing either ammonia or chlorine because both prevent bubble formation. A successful test depends on the ability of the solution to bubble.

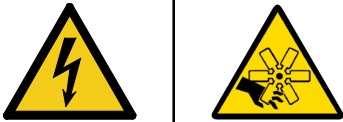
Hazardous Noise


| |
|--|
| ⚠ CAUTION |
|  |
| <p>Hazardous noise. Can cause hearing loss.</p> <p>Never operate the generator set without a muffler or with a faulty exhaust system.</p> |

Engine noise. Hazardous noise can cause hearing loss. Generator sets not equipped with sound enclosures can produce noise levels greater than 105 dBA. Prolonged exposure to noise levels greater than 85 dBA can cause permanent hearing loss. Wear hearing protection when near an operating generator set.

Hazardous Voltage/ Moving Parts

| |
|---|
| ⚠ DANGER |
|  |
| <p>Hazardous voltage. Will cause severe injury or death.</p> <p>This equipment must be installed and serviced by qualified electrical personnel.</p> |

| |
|---|
| ⚠ DANGER |
|  |
| <p>Hazardous voltage. Moving parts. Will cause severe injury or death.</p> <p>Operate the generator set only when all guards and electrical enclosures are in place.</p> |

| |
|--|
| ⚠ WARNING |
|  |
| <p>Hazardous voltage. Backfeed to the utility system. Can cause property damage, severe injury, or death.</p> <p>If the generator set is used for standby power, install an automatic transfer switch to prevent inadvertent interconnection of standby and normal sources of supply.</p> |

| |
|---|
| ⚠ CAUTION |
| <p>Welding the generator set. Can cause severe electrical equipment damage.</p> <p>Welding on generator set will cause serious damage to engine electronic controls components. Disconnect all engine electronic control connections before welding.</p> |

Grounding electrical equipment. Hazardous voltage will cause severe injury or death. Electrocutation is possible whenever electricity is present. Ensure you comply with all applicable codes and standards. Electrically ground the generator set, transfer switch, and related equipment and electrical circuits. Turn off the main circuit breakers of all power sources before servicing the equipment. Never contact electrical leads or appliances when standing in water or on wet ground because these conditions increase the risk of electrocution.


Welding on the generator set. Can cause severe electrical equipment damage. Before welding on the generator set perform the following steps: (1) Remove the battery cables, negative (-) lead first. (2) Disconnect all engine electronic control module (ECM) connectors. (3) Disconnect all generator set controller and voltage regulator circuit board connectors. (4) Disconnect the engine battery-charging alternator connections. (5) Attach the weld ground connection close to the weld location.

Connecting the battery and the battery charger. Hazardous voltage will cause severe injury or death. Reconnect the battery correctly, positive to positive and negative to negative, to avoid electrical shock and damage to the battery charger and battery(ies). Have a qualified electrician install the battery(ies).


Short circuits. Hazardous voltage/current will cause severe injury or death. Short circuits can cause bodily injury and/or equipment damage. Do not contact electrical connections with tools or jewelry while making adjustments or repairs. Remove all jewelry before servicing the equipment.


Electrical backfeed to the utility. Hazardous backfeed voltage can cause severe injury or death. Install a transfer switch in standby power installations to prevent the connection of standby and other sources of power. Electrical backfeed into a utility electrical system can cause severe injury or death to utility personnel working on power lines.

Heavy Equipment

| |
|--|
| ⚠ WARNING |
|  |
| <p>Unbalanced weight. Improper lifting can cause severe injury or death and equipment damage.</p> <p>Do not use lifting eyes. Lift the generator set using lifting bars inserted through the lifting holes on the skid.</p> |

Hot Parts

| |
|--|
| ⚠ WARNING |
|  |
| <p>Hot engine and exhaust system. Can cause severe injury or death.</p> <p>Do not work on the generator set until it cools.</p> |

| |
|---|
| ⚠ CAUTION |
|  |
| <p>Hot surfaces.</p> |

Servicing the exhaust system. Hot parts can cause severe injury or death. Do not touch hot engine parts. The engine and exhaust system components become extremely hot during operation.

Servicing the engine heater. Hot parts can cause minor personal injury or property damage. Install the heater before connecting it to power. Operating the heater before installation can cause burns and component damage. Disconnect power to the heater and allow it to cool before servicing the heater or nearby parts.

Notice

NOTICE

Canadian installations only. For standby service connect the output of the generator set to a suitably rated transfer switch in accordance with Canadian Electrical Code, Part 1.

This manual provides operation and maintenance instructions for residential/commercial model 14/20RESA/RESAL and 20RESC/RESCL generator sets equipped with Kohler RDC2 generator set/transfer switch controllers. See Figure 1.

Model RESAL and RESCL generator sets include a Model RXT transfer switch.

Note: The DC2 controller has been discontinued. Model 14/20RESA/RESAL and 20RESC/RESCL generator sets built in 2019 are equipped with the RDC2 controller. See Appendix B for DC2 controller operation information.

Kohler strongly recommends that only factory-authorized distributors or dealers install and service the generator.

Have the generator set installed by an authorized distributor/dealer or service technician. Refer to the Installation Manual for installation instructions.

Information in this publication represents data available at the time of print. Kohler Co. reserves the right to change this publication and the products represented without notice and without any obligation or liability whatsoever.

Read this manual and carefully follow all procedures and safety precautions to ensure proper equipment operation and to avoid bodily injury. Read and follow the Safety Precautions and Instructions section at the beginning of this manual. Keep this manual with the equipment for future reference.

The equipment service requirements are very important to safe and efficient operation. Inspect the parts often and perform required service at the prescribed intervals. Obtain service from an authorized service distributor/dealer to keep equipment in top condition.



Figure 1 Generator Set

List of Related Literature


Figure 2 identifies literature available for the generator sets covered in this manual and related accessories. Only trained and qualified personnel should install or service the generator set.

| Generator Set Literature | Part Number |
|--|----------------------|
| Specification Sheet, 14RESA/L | G4- 245 |
| Specification Sheet, 20RESA | G4- 209 |
| Specification Sheet, 20RESA | G4- 210 |
| Specification Sheet, 20RESC/L | G4- 246 |
| Installation Manual, Generator Set | TP-6803 |
| Service Manual, Generator Set | TP-6805 |
| Transfer Switch Literature | |
| Operation/Installation Manual, Model RXT Automatic Transfer Switch | TP-6807 |
| Operation/Installation Manual, Model RDT Automatic Transfer Switch | TP-6345 |
| Accessory Literature | |
| Installation/Technical Manual, OnCue® Plus | TP-7007 |
| User Guide, OnCue® Plus | TP-7006 |
| Operation Manual, SiteTech™ Software | TP-6701 |
| Installation Instructions, Load Shed Kit | TT-1609 |
| Installation Instructions, Programmable Interface Module (PIM) | TT-1584 |
| Installation Instructions, PowerSync® Automatic Paralleling Module (APM) | TT-1596 |
| Installation Instructions, Fuel Regulator Heater Kit | TT- 1569 |
| Installation Instructions, Remote Emergency Stop Switch (Non Lockable) | TT- 1613 |
| Installation Instructions, Battery Heater Kit | TT- 1634 |
| Installation Instructions, Carburettor Heater Kit | TT- 1297 TT- 1482 |
| Installation Instructions, Alternator Weather Cover Kit | TT- 1708 |
| Installation Instructions, Breather Tube Heater and Oil Heater | TT- 1709 |
| Installation Instructions, Oil Pressure Sensor Boot Kit | TT- 1717 |
| Installation Instructions, Remote Emergency Stop Switch (Lockable) | TT- 1795 |

Figure 2 Related Literature

Nameplate

The following illustration shows a typical generator set nameplate. Copy the model, serial, and specification numbers from the nameplate into the spaces provided in the product information section on the inside front cover of this manual. See the service views in Section 1.9 for the nameplate location.

| | | |
|---|------------------------------|--------------------------|
| KOHLER® | | |
| Genset Model | <input type="text"/> | |
| Spec Number | <input type="text"/> | |
| Serial Number | <input type="text"/> | |
| Material Number | <input type="text"/> | |
| Service Duty | Amps <input type="text"/> | kW <input type="text"/> |
| Voltage | Phase <input type="text"/> | kVA <input type="text"/> |
| Alt Model | RPM <input type="text"/> | PF <input type="text"/> |
| Insulation | Battery <input type="text"/> | Hz <input type="text"/> |
| MFG Date | Fuel <input type="text"/> | |
|  | | |
| GM12070 | | |

Emission Information

The Kohler® Model CH740 engine used on the 14RESA/RESAL generator set is certified to operate using natural gas or propane fuel.

The Kohler® Model CH1000 engine used on the 20RESA/RESAL and 20RESC/RESCL generator sets is certified to operate using natural gas or propane fuel for emergency standby use only. This generator set is certified by the U.S. EPA for emergency standby operation backing up a reliable utility source. Operation outside these guidelines is a violation of national EPA regulations.

The Emission Compliance Period referred to on the Emission Control or Air Index label indicates the number of operating hours for which the engine has been shown to meet CARB or EPA emission requirements. Figure 3 provides the engine compliance period (in hours) associated with the category descriptor, which may be found on the certification label.

| Emission Compliance Period | | | |
|----------------------------|-------------------------|---------------------------|--------------------------|
| EPA | Category C 250 hours | Category B 500 hours | Category A 1000 hours |
| CARB | Moderate 125 hours | Intermediate 250 hours | Extended 500 hours |

Figure 3 Emission Compliance Period

Refer to the certification label for engine displacement.

The exhaust emission control system for the CH740 engines (14RESA/L) is EM for U.S. EPA, California, and Europe.

The exhaust emission control system for the CH1000 engine (20RESA/L and 20RESC/L) is EM for U.S. EPA, California, and Europe.

Generator Set Application

Kohler® Power Systems (KPS) ensures that all Kohler® generator sets are certified to applicable standards for their intended application. It is the owner/operator's responsibility to operate Kohler® generator sets exclusively according to the directions provided in the accompanying operation manuals.

Kohler® generator sets designated as Stationary Standby, Emergency or Emergency Standby may only be operated for emergency power generation and for maintenance/testing. Emergency power generation is limited to power production when electric power from a local utility (or the normal power source, if the facility runs on its own power production) is interrupted.

The US Clean Air Act explicitly prohibits using Emergency Standby generators as a primary electric power source regardless of whether a site is connected to the electrical grid. Emergency Standby generators may NOT be used to power sites which are not connected to an electric utility. The U.S. Clean Air Act authorizes owner/operator fines of up to \$3,750 per day of operation in violation of the generator set's certification.

Owners/operators should familiarize themselves with and perform all testing, maintenance, notification, reporting and record keeping as required by the Clean Air Act. In most cases, performance testing is not required if the generator is operated and maintained according to the operation manual. However, owners/operators must retain maintenance records.

For professional advice on generator set power requirements and conscientious service, please contact your nearest Kohler distributor or dealer.

- Visit the Kohler Co. website at KOHLERPower.com.
- Look at the labels and decals on your Kohler product or review the appropriate literature or documents included with the product.
- Call toll free in the US and Canada 1-800-544-2444.
- Outside the US and Canada, call the nearest regional office.

Headquarters Europe, Middle East, Africa (EMEA)

Kohler EMEA Headquarters
Netherlands B.V.
Kristallaan 1
4761 ZC Zevenbergen
The Netherlands
Phone: (31) 168 331630
Fax: (31) 168 331631

Asia Pacific

Power Systems Asia Pacific Regional Office
Singapore, Republic of Singapore
Phone: (65) 6264-6422
Fax: (65) 6264-6455

China

North China Regional Office, Beijing
Phone: (86) 10 6518 7950
(86) 10 6518 7951
(86) 10 6518 7952
Fax: (86) 10 6518 7955

East China Regional Office, Shanghai
Phone: (86) 21 6288 0500
Fax: (86) 21 6288 0550

India, Bangladesh, Sri Lanka

India Regional Office
Bangalore, India
Phone: (91) 80 3366208
(91) 80 3366231
Fax: (91) 80 3315972

Japan, Korea

North Asia Regional Office
Tokyo, Japan
Phone: (813) 3440-4515
Fax: (813) 3440-2727

Notes

Section 1 Descriptions and Service Views

1.1 Introduction

The generator set specification sheets provide specific generator and engine information. Refer to the spec sheet for data not supplied in this manual. Consult the generator set service manual, engine operation manual, and engine service manual for additional specifications. Obtain copies of the latest spec sheets, manuals, diagrams, and drawings from your local distributor/dealer.

1.2 Engine

The generator set has a four-cycle, twin cylinder, air-cooled Kohler® engine. The engine operates on clean-burning natural gas or LPG. Engine features include:

- Efficient overhead valve design and full pressure lubrication for maximum power, torque, and reliability under all operating conditions.
- Dependable, maintenance-free electronic ignition.
- Precision-formulated cast iron construction of parts subjected to the most wear and tear.
- Field-convertible multi-fuel systems that allow fuel changeover from natural gas to LPG (and vice-versa) while maintaining emissions certification.
- Digital spark advance optimizes ignition timing for the selected fuel.

1.3 Alternator

The generator uses Kohler's unique PowerBoost™ voltage regulation system, which provides instant response to load changes.

PowerBoost™ ensures reliable motor starting and consistent voltage levels. PowerBoost™ utilizes a voltage excitation system that employs a winding independent of the main output windings to provide excitation voltage.

1.4 Generator Set Enclosure

The generator set is housed in an exclusive engineered composite enclosure that is corrosion-proof, even in harsh seaside environments, and impact-resistant, even in cold weather. The enclosure has a hinged, locking roof that allows easy access to the generator set controller when required, but locks securely to prevent unauthorized access.

To open the roof, insert the key provided with the enclosure and turn counterclockwise 1/4 turn. Then just raise the roof. The roof stays open until you are ready to close it.

Be sure to close and lock the enclosure, and keep the key in a secure location.

1.5 Transfer Switch

The RDC2 controller is designed to interface with and control the Kohler Model RXT Automatic Transfer Switch (ATS). Do not use the Kohler Model RRT transfer switch with the RDC2 controller.

If the power system uses a different model transfer switch, the RDC2 controller will not control the transfer switch. An ATS other than the Model RXT must be equipped with a transfer switch controller and engine start contacts that connect to the remote engine start terminals on the generator set.

1.6 Controllers

The generator sets are equipped with the RDC2 controller. See Figure 1-1.

The controller provides integrated control for the generator set, Kohler® Model RXT transfer switch, programmable interface module (PIM) and load management devices.

The controller's 2-line LCD screen displays status messages and system settings that are clear and easy to read, even in direct sunlight or low light.

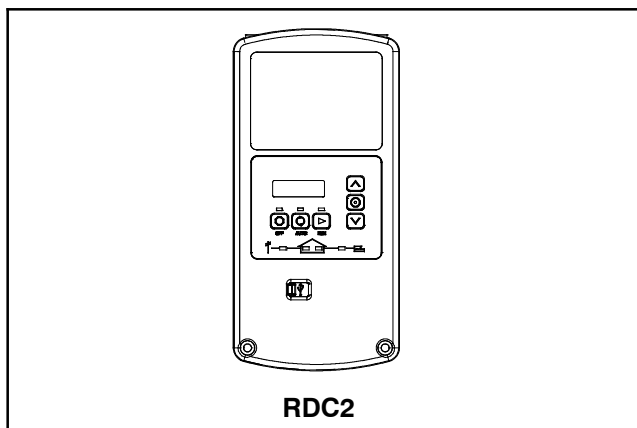


Figure 1-1 Generator Set Controller

RDC2 Controller Features

- Six-button keypad
 - OFF, AUTO, and RUN pushbuttons
 - Select and arrow buttons for access to system configuration and adjustment menus
- LED indicators for OFF, AUTO, and RUN modes
- LED indicators for utility power and generator set source availability and ATS position (Model RXT transfer switch required)
- LCD display
 - Two lines x 16 characters per line
 - Backlit display with adjustable contrast for excellent visibility in all lighting conditions
- Scrolling system status display
 - Generator set status
 - Voltage and frequency
 - Engine temperature
 - Oil pressure
 - Battery voltage
 - Engine runtime hours
- Date and time displays
- Smart engine cooldown senses engine temperature
- Digital isochronous governor to maintain steady-state speed at all loads
- Digital voltage regulation: $\pm 0.5\%$ RMS no-load to full-load
- Automatic start with programmed cranking cycle
- Programmable exerciser can be set to start automatically on any future day and time, and run every week or every two weeks
- Exercise modes
 - Unloaded weekly exercise with complete system diagnostics
 - Unloaded full-speed exercise
 - Loaded full-speed exercise (Model RXT ATS required)
- Front-access mini USB connector for Kohler® SiteTech™ connection
- Integral Ethernet connector for the Kohler® OnCue® Plus Generator Management System
- Built-in battery charger
- Remote two-wire start/stop capability for connection of Model RDT or other transfer switches
- Diagnostic messages
 - Displays diagnostic messages for the engine, generator, Model RXT transfer switch, programmable interface module (PIM), and load management device
 - Over 70 diagnostic messages can be displayed
- Maintenance reminders
- System settings
 - System voltage, frequency, and phase
 - Voltage adjustment
 - Measurement system, English or metric
- ATS status (Model RXT ATS required)
 - Source availability
 - ATS position (normal/utility or emergency/generator)
 - Source voltage and frequency
- ATS control (Model RXT ATS required)
 - Source voltage and frequency settings
 - Engine start time delay
 - Transfer time delays
 - Voltage calibration
 - Fixed pickup and dropout settings
- Programmable Interface Module (PIM) status displays
 - Input status (active/inactive)
 - Output status (active/inactive)
- Load control menus
 - Load status
 - Test function

1.7 OnCue Plus Generator Management System

The Kohler® OnCue® Plus Generator Management System is now included with the generator set. The OnCue® Plus System allows monitoring and control of your generator set from your home or other location with Internet access using a computer or mobile device. OnCue® Plus can be configured to send email or text message notifications in the event of a generator set fault.

You can also use Google Assistant or Amazon Alexa and your smart device to control your generator. Use voice commands to check your generator's status, check for active alerts, and start or stop an exercise. See the OnCue® Plus User Guide, TP- 7006, for simple setup instructions and voice commands

OnCue® Plus Wireless is also available. OnCue® Plus Wireless works with the customer's wireless ethernet router and does not require the installation of a network cable between the generator set and the customer's router/modem.

1.8 Accessories

The following optional accessories are offered for the generator sets.

1.8.1 Cold Weather Package Kit, 120/240VAC

Heater kits are recommended for improved cold starting in locations where the ambient temperature drops below 0°C (32°F).

The cold weather package kit includes:

- Alternator brush cover
- Battery heater
- Breather tube heater
- Fuel regulator heater
- Oil heater
- Oil pressure sensor cover
- 3-way extension cord for power connection

The heaters require a continuous source of AC power. See the generator set Installation Manual and the installation instructions provided with the kits for more information.

1.8.2 Programmable Interface Module (PIM)

The optional Programmable Interface Module (PIM) provides two programmable inputs and six programmable dry contact outputs for connection to customer-supplied equipment. The outputs are controlled by the RDC2 controller, and can also be controlled remotely using OnCue Plus.

The PIM is mounted in a NEMA 3R aluminum enclosure, which can be mounted indoors or outdoors. See the installation instructions provided with the PIM.

1.8.3 Load Management

Two optional load management devices are available for use with single-phase generator sets and a model RXT or RDT transfer switch.

- The optional Load Shed Kit mounts inside a model RDT or RXT transfer switch.
- The combined interface/load management board is available for the Model RXT transfer switch.

The load management devices provide an automatic load management system to comply with Section 702.5 of NEC 2008. The installer is responsible for ensuring that the power system installation complies with all applicable state and local codes.

Note: The load management devices are only compatible with single-phase generator sets.

The load management device automatically manages up to six residential loads. Two relays are provided to control two independent air conditioner loads. Up to four power relay modules can be connected for management of non-essential secondary loads.

The load management device is controlled by the RDC2 controller. The load on the generator set is monitored, and loads are added or shed in the order of their priority. See the installation instructions provided with the load shed kit or the Model RXT Operation and Installation Manual for more information.

1.8.4 Carburetor Heater, 120/240VAC

An optional carburetor heater is recommended for improved cold starting in locations where the ambient temperature drops below 0°C (32°F). The carburetor heater prevents condensation and carburetor icing. The heater requires a continuous source of AC power.

See the generator set Installation manual for more information.

| Voltage | 120 VAC | 240 VAC |
|----------------|---------------------|---------|
| Thermostat ON | 4 ± 3°C (40 ± 5°F) | |
| Thermostat OFF | 16 ± 3°C (60 ± 5°F) | |

Figure 4 Heater Specifications, 14kW Models

| Voltage | 120 VAC | 240 VAC |
|----------------|---------------------|---------|
| Thermostat ON | 4 ± 4°C (40 ± 7°F) | |
| Thermostat OFF | 16 ± 3°C (60 ± 5°F) | |

Figure 5 Heater Specifications, 20kW Models

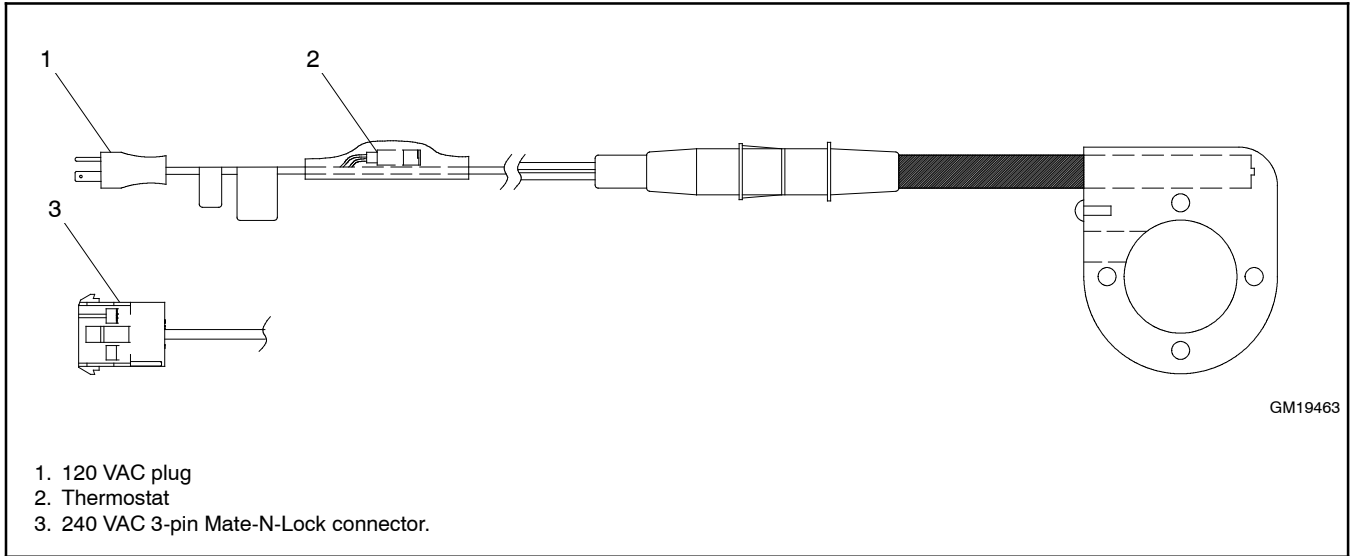


Figure 6 Carburetor Heater with Thermostat and Power Connectors, 14kW Models

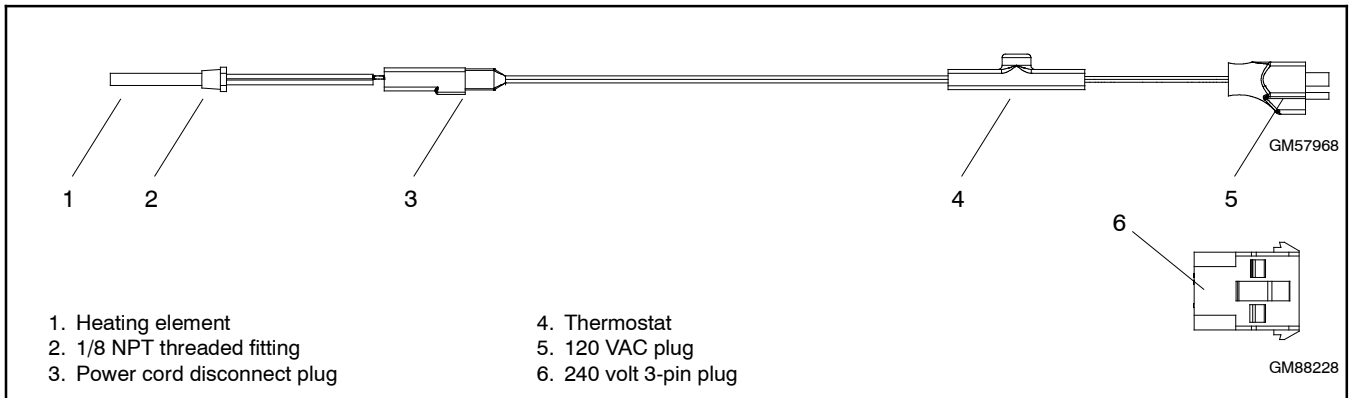


Figure 7 Carburetor Heater, 20kW Models

1.8.5 Fuel Regulator Heater, 120/240VAC (20kW models only)

An optional fuel regulator heater for the 20RESA/20RESAL and 20RESC/RESCL is recommended for improved cold starting in locations where the ambient temperature drops below -18°C (0°F). The heater requires a continuous source of AC power.

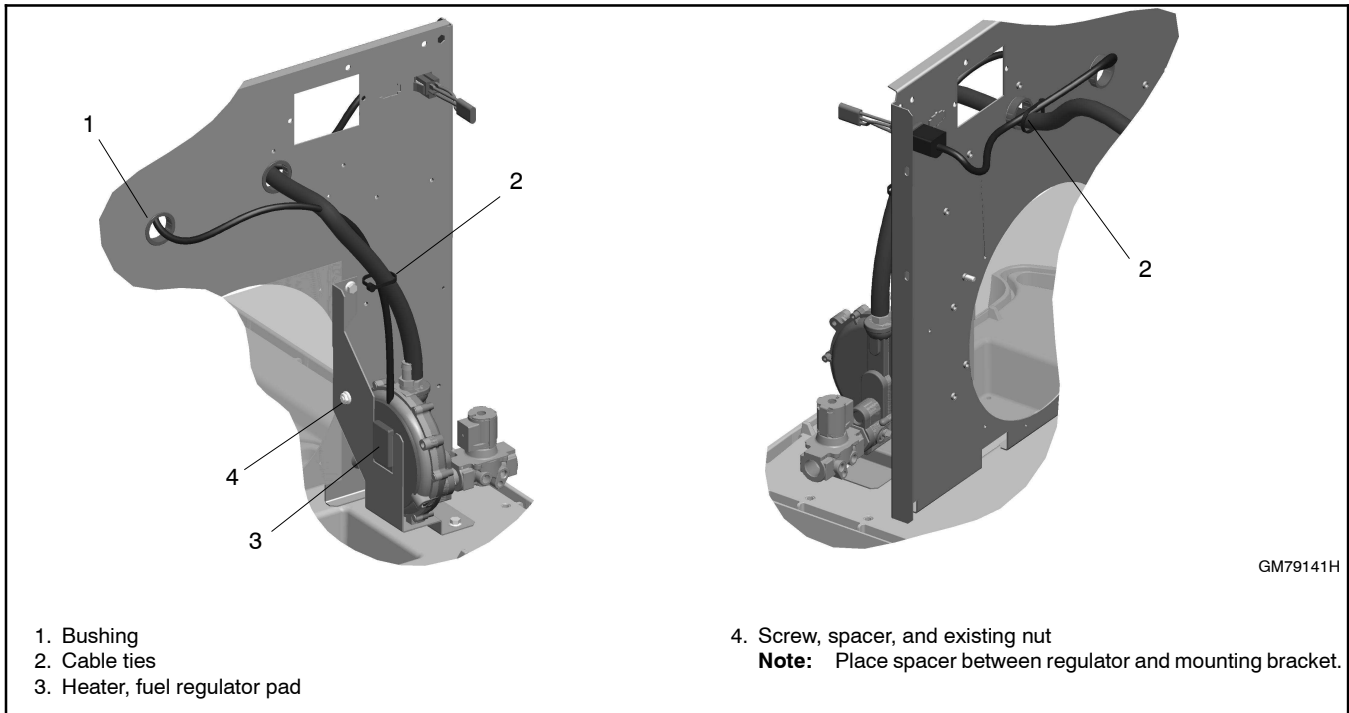
See the generator set Installation manual for more information.

| | | |
|---------------|----------------------------------|----------------|
| Heater rating | 120 VAC, 60 W | 240 VAC, 100 W |
| Thermostat | 4°C/13°C (40°F/55°F) Snap action | |
| Pad diameter | 127 mm (5 in.) | |
| Cord length | 914 mm (36 in.) | |

Figure 8 Regulator Heater Kit Specifications



Figure 9 120 VAC Fuel Regulator Heater



- 1. Bushing
- 2. Cable ties
- 3. Heater, fuel regulator pad

- 4. Screw, spacer, and existing nut

Note: Place spacer between regulator and mounting bracket.

Figure 10 Fuel Regulator Heater Installation, 20RESC/RESCL

1.8.6 Emergency Stop Kit

An emergency stop button is available as a loose kit. Pressing the emergency stop button causes the generator set to shut down immediately. The generator controller displays an emergency stop shutdown message after the button is pressed.

E-stop assembly harness contains the E-stop, contact block, and two leads connected to the contact block. The harness is factory-assembled. The kit also includes the emergency stop switch decal.

The generator set enclosure is designed with an opening for the emergency stop button. Install the emergency stop button as described in the TT-1613 and TT-1795 instructions.

RDC2 firmware to version 5.5 or higher is required for E-stop operation. Use a personal computer (laptop) and Kohler® SiteTech™ software or the USB Utility to update the controller firmware, if necessary. See TP-6701, SiteTech Operation Manual, or TT-1636, Firmware Update Using the USB Utility, for instructions if necessary.

1.8.7 Battery Heater Kit, 120/240VAC

The battery heater kit contains a heating wrap to help warm the battery in cold climates. See Figure 11. The battery heater is equipped with a thermostat that turns the heater on at 16- 18°C (60- 65°F) and off at 27°C (80°F). Battery heaters are recommended for regions where the temperature regularly falls below 0°C (32°F).

Note: Battery heaters are compatible with all Kohler-supplied lead-acid batteries.* For other battery types, check the battery manufacturer's instructions for any restrictions regarding the use of battery heaters.

The battery heater requires a source of AC power. Verify that AC power is connected to the generator set as described in the generator set Installation Manual. The circuit must be backed up by the generator set to provide power at all times.

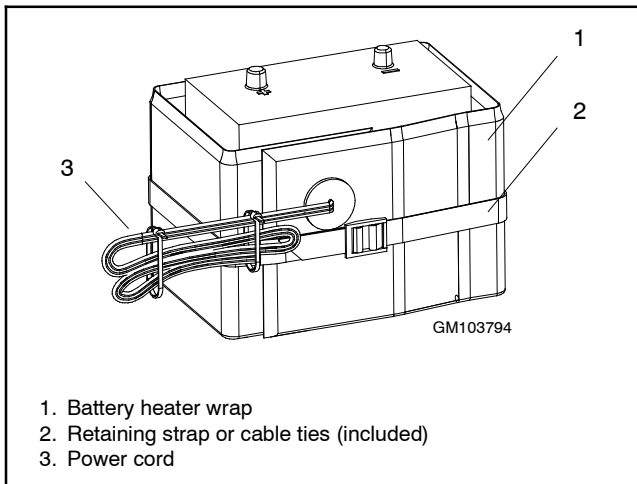


Figure 11 Battery Heater (typical)

1.8.8 Breather Tube Heater and Oil Heater Kit, 120/240VAC

The breather tube heater and oil heater kit is recommended for improved cold starting in locations where the ambient temperature drops below 0°C (32°F).

Note: The heaters require a continuous source of AC power. See Figure 12 and Figure 13 for the power supply voltage required.

Note: The breather tube heater and oil heater must be used together.

Verify that AC power is connected to the generator set as described in the generator set Installation Manual. The circuit must be backed up by the generator set to provide power at all times. Refer to TT- 1709 for instructions to install the heaters and connect 120VAC power.

See Figure 14 and Figure 15 for illustrations of the 120VAC breather tube heater and oil heater.

| Heater Part Number | GM110893, GM110894 |
|--------------------|--------------------|
| Voltage | 120VAC |
| Thermostat ON | 4°C (40°F) |
| Thermostat OFF | 13°C (55°F) |

Figure 12 Breather Tube Heater Specifications

| Heater Part Number | GM110895, GM110896 |
|--------------------|--------------------|
| Voltage | 120VAC |
| Thermostat ON | 4°C (40°F) |
| Thermostat OFF | 13°C (55°F) |

Figure 13 Oil Heater Specifications

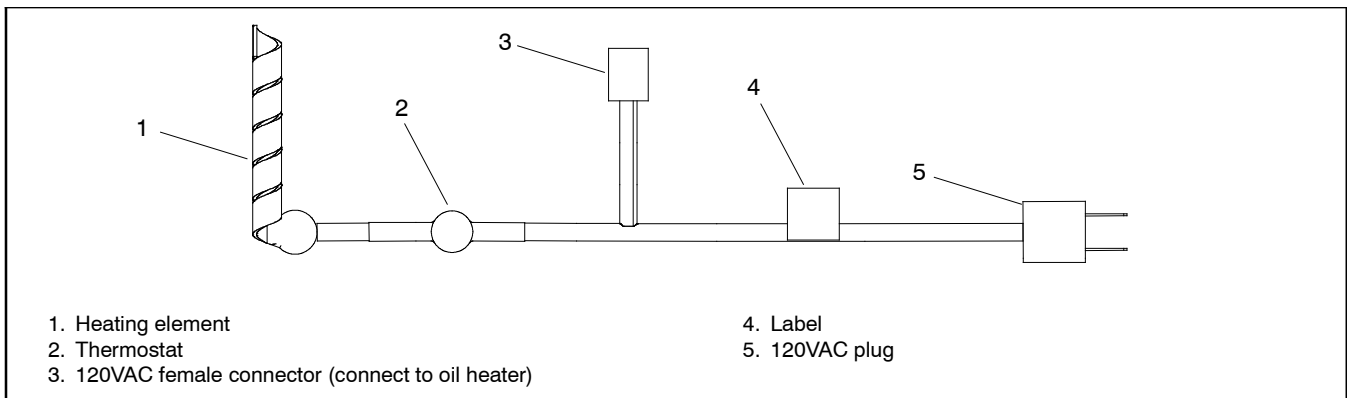


Figure 14 Breather Tube Heater

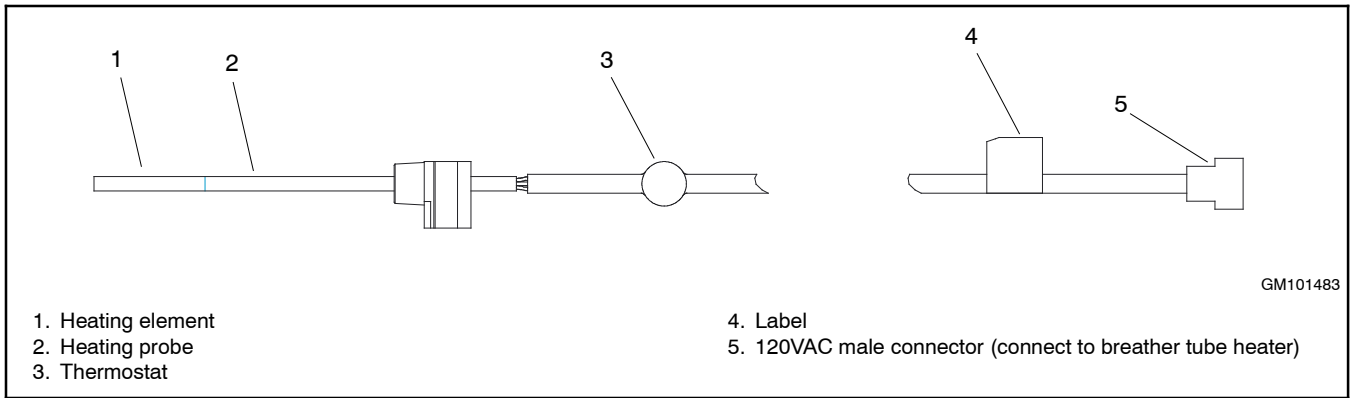


Figure 15 Oil Heater

1.8.9 Alternator Weather Cover Kit

The alternator weather cover is used to prevent frost and snow build up on the alternator brushes. The alternator weather cover kit is recommended for the locations where the ambient temperature drops below 0°C (32°F). Follow the instructions provided with the kit to install the alternator weather cover onto the alternator end bracket. See Figure 16.

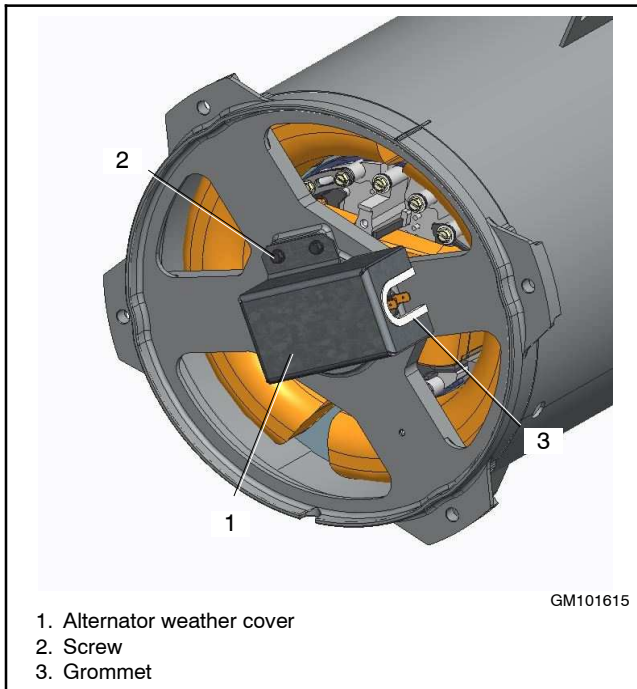


Figure 16 Alternator Weather Cover

1.8.10 Oil Pressure Sensor Boot Kit

The oil pressure sensor boot protects the oil pressure sensor and its connection from moisture and frost buildup that can cause false low oil level faults. Install the oil pressure sensor boot in locations where the ambient temperature drops below 0°C (32°F). See Figure 17 for illustrations of the installed kit. Follow the instructions provided with the kit to install the boot.

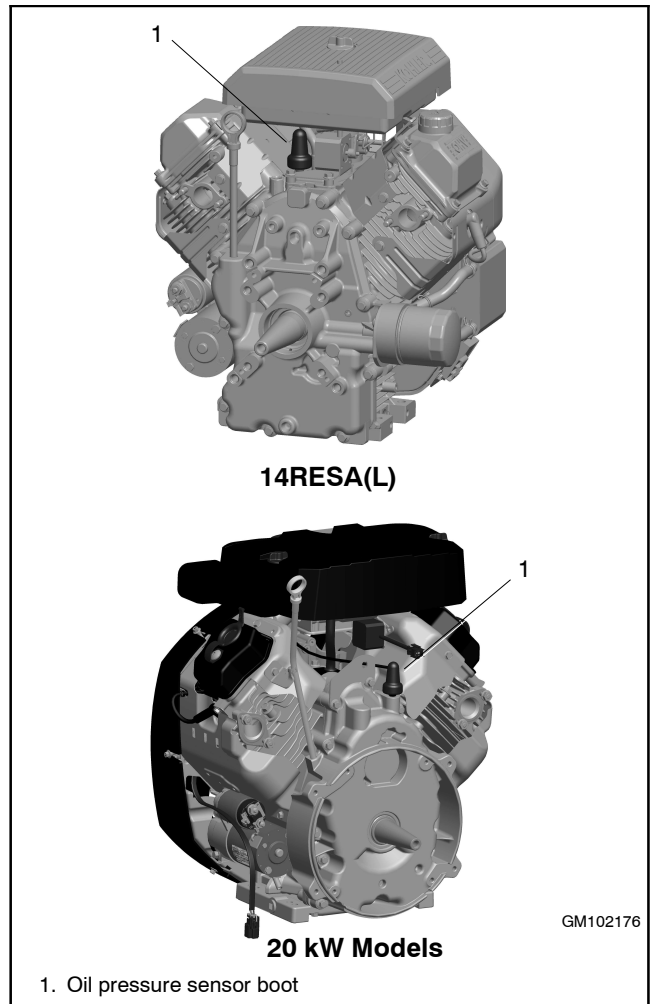
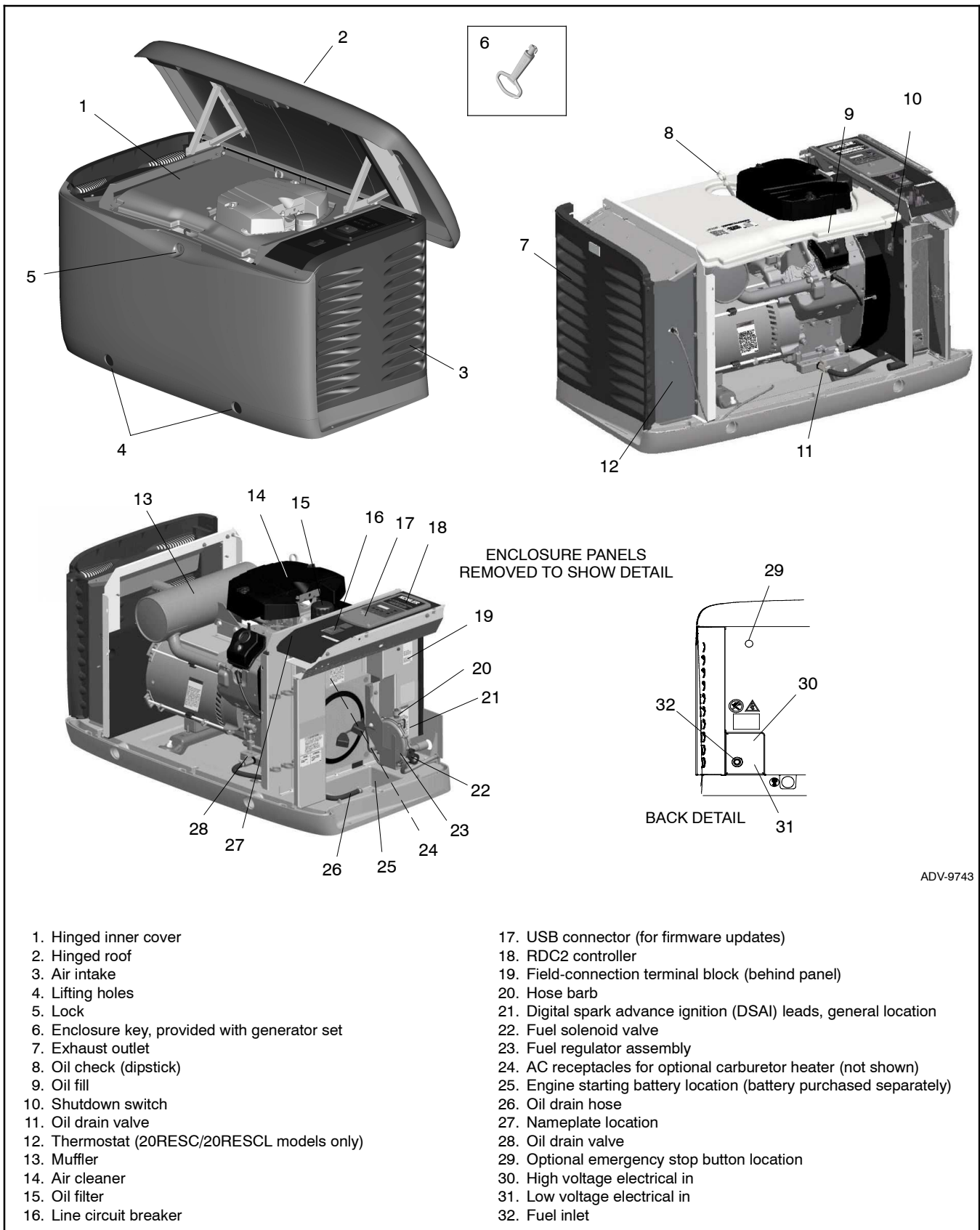


Figure 17 Oil Pressure Sensor Boot Location

1.9 Service Views

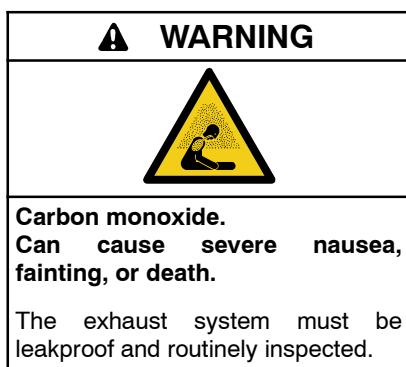
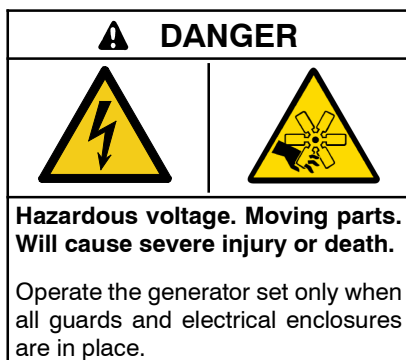


ADV-9743

Figure 1-2 Service Views (20 kW model shown)

Section 2 Generator Set Operation

2.1 Operating Area



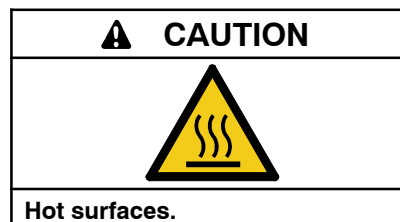
Generator set operation. Carbon monoxide can cause severe nausea, fainting, or death. Carbon monoxide is an odorless, colorless, tasteless, nonirritating gas that can cause death if inhaled for even a short time. Avoid breathing exhaust fumes when working on or near the generator set. Never operate the generator set inside a building. Never operate the generator set where exhaust gas could seep inside or be drawn into a potentially occupied building through windows, air intake vents, or other openings.

Carbon monoxide symptoms. Carbon monoxide can cause severe nausea, fainting, or death. Carbon monoxide is a poisonous gas present in exhaust gases. Carbon monoxide is an odorless, colorless, tasteless, nonirritating gas that can cause death if inhaled for even a short time. Carbon monoxide poisoning symptoms include but are not limited to the following:

- Light-headedness, dizziness
- Physical fatigue, weakness in joints and muscles
- Sleepiness, mental fatigue, inability to concentrate or speak clearly, blurred vision
- Stomachache, vomiting, nausea

If experiencing any of these symptoms and carbon monoxide poisoning is possible, seek fresh air immediately and remain active. Do not sit, lie down, or fall asleep. Alert others to the possibility of carbon monoxide poisoning. Seek medical attention if the condition of affected persons does not improve within minutes of breathing fresh air.

Carbon monoxide detectors. Carbon monoxide can cause severe nausea, fainting, or death. Install carbon monoxide detectors on each level of any building adjacent to the generator set. Locate the detectors to adequately warn the building's occupants of the presence of carbon monoxide. Keep the detectors operational at all times. Periodically test and replace the carbon monoxide detectors according to the manufacturer's instructions.



Remind family members, children, and visitors to use caution near the generator set. Generator sets connected to automatic transfer switches will start automatically during exercise periods and power outages. Some generator components become hot when the generator is running and remain hot for a time after the generator set shuts down.

2.2 Prestart Checklist

To ensure continued satisfactory operation, perform the following checks or inspections before or at each startup, as designated, and at the intervals specified in the service schedule. In addition, some checks require verification after the unit starts.

Air Cleaner. Check for a clean and installed air cleaner element to prevent unfiltered air from entering the engine.

Air Inlets. Check for clean and unobstructed air inlets.

Battery. Check for tight battery connections. Consult the battery manufacturer's instructions regarding battery care and maintenance.

Exhaust System. Check for exhaust leaks and blockages. Check the muffler condition.

- Inspect the exhaust system components for cracks, leaks, and corrosion. Check for tight exhaust system connections.
- Check for corroded or broken metal parts and replace them as needed.
- Check that the exhaust outlet is unobstructed.

Oil Level. Check the oil level before starting the generator set and at the intervals given in Section 4, Scheduled Maintenance. Maintain the oil level at or near, not over, the full mark on the dipstick.

Operating Area. Check for obstructions that could block the flow of cooling air. Keep the air intake area clean. Do not leave rags, tools, or debris on or near the generator set.

2.3 Exercising the Generator Set

Operate the generator set without load once each week for 20 minutes. See Section 2.5 for information about loaded and unloaded exercise modes. For instructions to set the exerciser, see Section 3.6.

2.4 Generator Set Operation

2.4.1 Local Starting and Stopping

Start: Press the RUN button to immediately start the generator set.

Stop: Press the OFF button. The engine stops.

Run the generator set with no load for at least 2 minutes to ensure adequate engine cooldown.

2.4.2 Automatic Operation

An automatic transfer switch monitors the utility power and signals the generator set to start when utility power is lost. The ATS then transfers the load to the generator set.

When utility power is restored, the transfer switch transfers the load back to utility, runs the generator set with no load to cool down the engine, and then stops the generator set.

See Sections 2.4.8 and 2.4.9 for more information about automatic operation.

2.4.3 Remote Starting and Stopping

A remote switch connected to terminals 3 and 4 can be used to start and stop the generator set. Close the switch to start and run the generator set. Open the switch to stop the generator set.

Run the generator set with no load for at least 2 minutes to ensure adequate engine cooldown.

2.4.4 Remote Emergency Stop Switch

The generator set may be connected to an optional remote emergency stop switch. See Figure 2-1. The remote emergency stop switch may be mounted on the generator set (See Figure 1-2) or in a remote location. If the remote emergency stop button is activated, the controller display will show Emerg Stop Shutdwn.

Remote Emergency Stop Switch Operation

Press the red STOP button to shut down the generator set in an emergency.

Using the remote emergency stop button bypasses the engine cooldown cycle, stopping the engine immediately. The controller emergency stop lamp lights (if equipped) and the unit shuts down. The generator set cannot be restarted until the remote emergency stop switch(es) is/are reset.

Lockout/Tagout (for lockable switches only)

The remote emergency stop button can be locked in the STOP position. Insert a lock through two openings in the yellow shroud to prevent the stop button from being pulled out. See Figure 2-1. Remove the lock for normal operation.

A lock is not required in order to keep the switch activated. The switch button will stay depressed until it is pulled out by the operator.

Resetting the Remote Emergency Stop Switch

To reset the remote E-stop switch, remove the locking device and pull the button out. Reset the controller by pressing the OFF/RESET button.

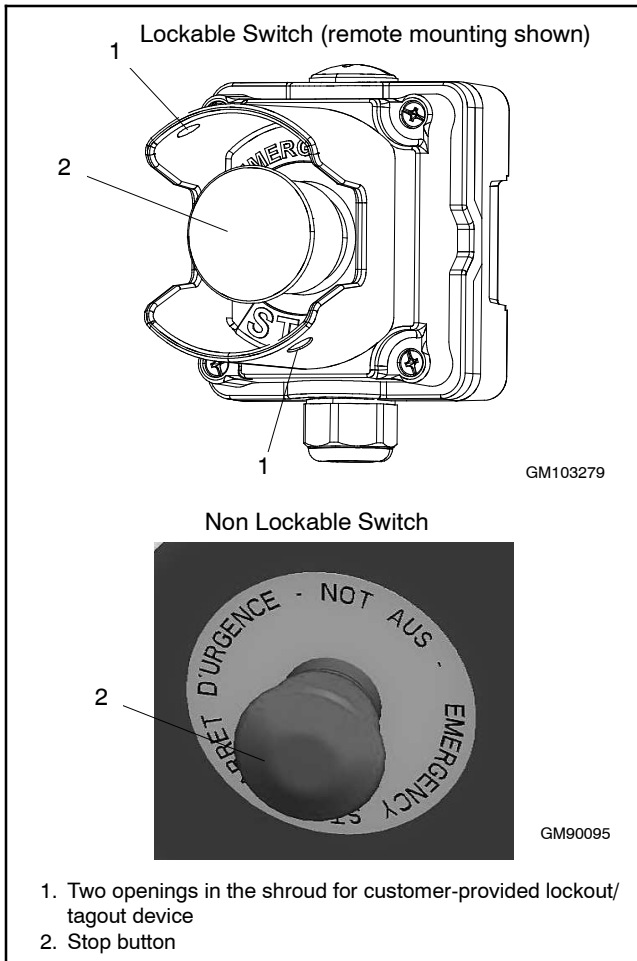


Figure 2-1 Emergency Stop Switch (optional)

2.4.5 Shutdown Switch

The generator set may be equipped with a Shutdown (Prime Mover) switch. See Figure 2-2 and Figure 1-2. This switch, also referred to as the Engine Shutdown switch, commands an immediate shutdown and prevents an engine start if the switch is turned to the off (open, O) position. When the shutdown switch is activated, the controller display shows Emerg Stop Shutdwn.

The switch is a mechanical, rocker-style switch. Press O to prevent engine start during generator set service. Press I to allow the engine to start and run.

See Figure 2-2 for switch connections.

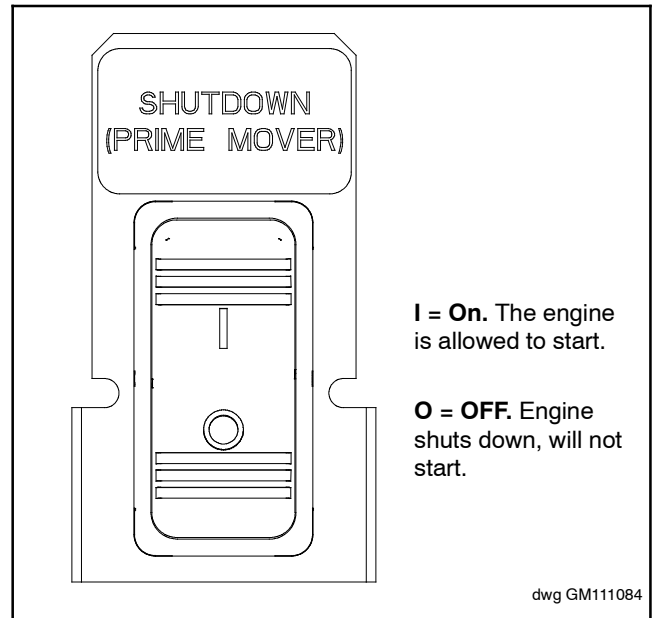


Figure 2-2 Shutdown Switch

2.4.6 Engine Start Crank Cycle

The controller attempts to start the generator set three times (three starting attempts, 15 seconds crank and 15 seconds off). If the generator set does not start in three attempts, the system shuts down on an overcrank fault. See Section 2.6.

Cranking 1, 2, and 3 are displayed during the crank cycle. Pressing the OFF button during the crank cycle stops the cranking. No other buttons are acknowledged during the crank cycle.

20 kW Models (RDC2.4 v1.4.4)

For RDC2.4 controllers with firmware version 1.4.4 or later, the 20 kW models will perform two crank cycles with 3 starting attempts during each cycle. The controller attempts to start the generator set three times (three starting attempts, 15 seconds crank and 15 seconds off). If the generator set does not start in three attempts, the controller pauses for 45 seconds, and then performs another set of 3 starting attempts. If the generator set does not start during these crank cycles, the system shuts down on an overcrank fault. See Section 2.6.

Cranking 1, 2, and 3 are displayed during each crank cycle. Pressing the OFF button during the crank cycle stops the cranking. No other buttons are acknowledged during the crank cycle.

2.4.7 Engine Cooldown

The engine cooldown time delay allows the engine to run after the loads have been removed.

The engine cooldown time delay is set to 5 minutes. The engine stops before the cooldown time delay expires if the temperature drops below the cooled-down temperature level, or if the temperature rises above the high limit during the cooldown cycle.

If a transfer switch other than the Model RXT is used, an additional engine cooldown time delay may be programmed on the transfer switch. To allow the smart engine cooldown on the RDC2 controller to operate most efficiently, set the cooldown time on the transfer switch controller to zero or the minimum time allowed. Refer to the instructions provided with the transfer switch for more information.

2.4.8 Automatic Operation with Model RXT Transfer Switch

The Model RXT transfer switch connects to the RDC2 controller through the ATS interface board on the transfer switch. Also see the Model RXT Transfer Switch Operation/Installation Manual for more information about transfer switch operation.

The controller must be in AUTO mode for automatic transfer switch operation.

Automatic Start

The RDC2 controller receives utility source voltage sensing data from the Model RXT transfer switch.

1. If the utility source voltage falls below an acceptable level, the controller starts the engine start time delay.
2. If the utility source is not restored before the time delay expires, the generator set starts.
3. After the Normal-to-Emergency time delay, the ATS is signaled to transfer the load to the emergency source.

Automatic Stop with Engine Cooldown

1. When the utility source is restored, the Emergency-to-Normal time delay starts.

2. When the Emergency-to-Normal time delay expires, the load is transferred to the utility.
3. The generator set runs through the engine cooldown cycle and then stops.

2.4.9 Automatic Operation with Other Transfer Switches

If a transfer switch other than the Model RXT (such as a Kohler Model RDT) is used, the engine start contacts from the ATS must be connected to engine start leads 3 and 4 on the generator set.

The controller must be in AUTO mode to respond to remote start/stop signals from an ATS or remote switch. Press the AUTO button to put the controller into automatic mode.

Automatic Start

The engine start contacts on the ATS close to signal the generator set to start, and remain closed while the generator set is running.

Automatic Stop

The engine start contacts on the ATS open to signal the generator set to stop.

2.5 Exercise

The RDC2 controller can be set to automatically run the generator set at the same time and day each week. Exercising the generator set weekly or every two weeks is required to keep the engine and alternator in good operating condition.

Three exercise modes are available: unloaded cycle, unloaded full speed, and loaded full speed. See Sections 2.5.2 through 2.5.4 for information about the exercise modes. A loaded exercise can be set at the RDC2 controller only if a Model RXT transfer switch is connected.

Note: With transfer switches other than the Model RXT, it is possible to have two exercise settings (one unloaded exercise set at the generator set controller, and another exercise set at the ATS controller). If the exercise times overlap, the ATS exercise setting takes priority.

If a transfer switch other than the Model RXT is used, refer to the instructions provided with the transfer switch to set a loaded exercise at the ATS, if desired.

2.5.1 Setting the Exerciser

When power is applied to the RDC2 controller (that is, when the battery is connected), you will be prompted to set the date and time, and then to set the exerciser.

The first setting will flash. Press the Up and Down arrow buttons to change the setting. Press Select to save the setting and move on to the next. See Section 3.5 for more detailed instructions to change settings on the RDC2. See Section 3.6 for more detailed instructions to set the exerciser or change the exercise settings.

2.5.2 Unloaded Cycle Exercise with Complete System Diagnostics

An unloaded exercise runs the generator set without signalling the transfer switch to transfer the electrical load from the utility source to the generator set. The Unloaded Cycle exercise with diagnostics is the recommended exercise mode and is the default exercise setting.

The Unloaded Cycle exercise runs the engine for 20 minutes in the cycle shown in Figure 2-3 and described below.

- Runs at reduced speed for 10 minutes to warm up and exercise the engine.
- Ramps up and runs at full speed for 3 minutes. Engine diagnostics are performed during this full-speed portion of the cycle, which provides the best test of engine and alternator power backup capability. Diagnostic tests at full speed can identify potential problems with the power output and alert the operator before an emergency event.
- Ramps down and runs at reduced speed for 5 minutes to cool down the engine before shutting down automatically.

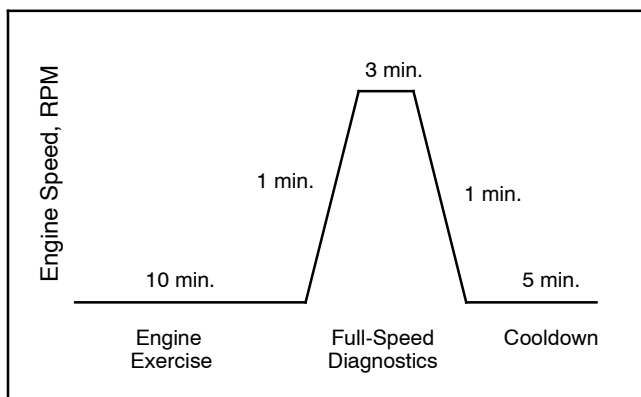


Figure 2-3 Unloaded Exercise Cycle

System Diagnostics

During the unloaded exercise, the controller monitors the following data. The controller display indicates that the generator set is running, unless a fault is detected as described below.

- **ATS connection.** The controller verifies that the Model RXT ATS interface board is connected.
- **Battery voltage.** Battery voltage is checked before exercise to verify engine starting capability. Battery voltage provides a measurement of battery health. If the controller detects low battery voltage, the condition is indicated on the display.
- **Communication integrity tests.** J1939, RBUS, Ethernet, and USB are monitored for messages indicating that the controller and wiring are reliable.
- **Engine speed.** Engine speed is measured at reduced speed and full speed. An overspeed or underspeed condition will result in a fault condition and shutdown.
- **Generator output frequency and voltage.** Operating the generator at full speed allows the RDC2 controller to check the output power for correct voltage, frequency, and stability. When the engine is running at full speed, the controller verifies that the voltage and frequency are within acceptable limits. A fault message is displayed if the voltage or frequency is out of range.
- **Oil pressure.** Oil pressure is verified to ensure proper lubrication of critical engine components. Pressure is monitored at both reduced and full speeds. If the oil pressure is low, the Low Oil Pressure message is displayed and the generator set shuts down.

Note: See Section 2.5.5 for information about Advanced Diagnostic Active in the event history.

2.5.3 Unloaded Full-Speed Exercise

The unloaded full-speed exercise runs the generator set at full speed for 20 minutes without transferring the load.

To set an unloaded full-speed exercise, follow the procedure in Figure 3-8 and select Exercise Mode: Unloaded Full.

2.5.4 Loaded Full-Speed Exercise (with RXT only)

A loaded exercise starts the generator set, ramps up to full speed, and then transfers the electrical load from the utility source to the generator set. After 20 minutes, the load is transferred back to the utility source. The engine runs without load for 5 minutes or until cool, and then shuts down automatically.

Note: With a loaded exercise, power to the building is lost for up to 10 seconds during load transfer.

For a loaded exercise controlled by the RDC2 controller, a Model RXT transfer switch must be connected to the generator set. To set a loaded exercise, follow the procedure in Figure 3-8 and select Exercise Type: Loaded.

For a loaded exercise with a transfer switch other than a Kohler® Model RXT, program the exercise at the transfer switch controller. Refer to the transfer switch operation manual for instructions.

2.5.5 Shutdown During Exercise (Advanced Diagnostic)

The following advanced diagnostic operation applies to RDC2 controllers with firmware versions 5.04 and higher.

If the generator set shuts down on a fault during an exercise, the controller will try to restart the engine. If the engine starts, the generator set will run at full speed for two minutes and then stop, placing itself back into AUTO and ready to support an emergency power outage. The event history will show Advanced Diagnostic Active. The exercise schedule is maintained.

If the engine does not start, the shutdown message will be displayed. Correct the fault condition and reset the fault as described in Section 2.6.

2.5.6 Power Failure During Exercise Cycle

If the utility power is lost during an unloaded exercise, the ATS transfers to the emergency source, the exercise is ended and the control remains in the AUTO mode.

If the utility power is lost during a loaded exercise, the exercise is ended. The ATS remains in the emergency position and the control goes into the AUTO mode.

The generator set continues to run and supply power to the load for the duration of the utility power outage. When Utility power is restored, the ATS will re-transfer to the utility source through normal timing sequences.

2.6 Faults

The RDC2 or DC2 controller displays fault messages for generator set warnings and shutdowns. Selected fault messages are shown in Figure 2-5. Contact an authorized distributor/dealer for service, if necessary.

2.6.1 Warnings

The controller displays a fault message but the generator set does not shut down on a warning. The controller resets automatically after a warning condition is corrected.

2.6.2 Shutdowns

Under a fault shutdown condition, the generator set shuts down automatically and the controller displays a fault message. The OFF LED flashes. In some cases, the engine cooldown cycle runs before the engine shuts down. See Figure 2-5.

Shutdown switches (such as the low oil pressure switch or high engine temperature switch) on the generator set will automatically reset when the problem is corrected. However, the fault condition at the controller does not clear until the controller is reset.

The generator set cannot be restarted until the fault condition is corrected and the controller is reset. See Section 2.6.4 for instructions to reset the controller after a fault shutdown.

2.6.3 ATS Communication Errors

When a Model RXT transfer switch is used, an ATS fault indicates that the connection to the interface board on the transfer switch has been lost. Check the connection to the ATS interface board.

2.6.4 Resetting the Controller after a Fault Shutdown

Always identify and correct the cause of a fault shutdown before resetting the controller. Check the fault message displayed on the controller and refer to Figure 2-5 to identify and correct the fault condition before proceeding. Contact an authorized distributor/dealer for service, if necessary.

Press the OFF button to reset the controller, or follow the procedure below. See Figure 2-4.

1. While the fault message is displayed, press the Select button to go to the Overview menu.
2. Press Select again. The active fault message is displayed.
3. Press Select. Confirm Clear Fault: NO is displayed.
4. Press the Down arrow button. Confirm Clear Fault: YES is displayed.
5. Press the Select button to enter YES and clear the fault.
6. Press the Select button to return to the overview menu. The controller changes to OFF mode.
7. Press AUTO to put the generator set into automatic mode.

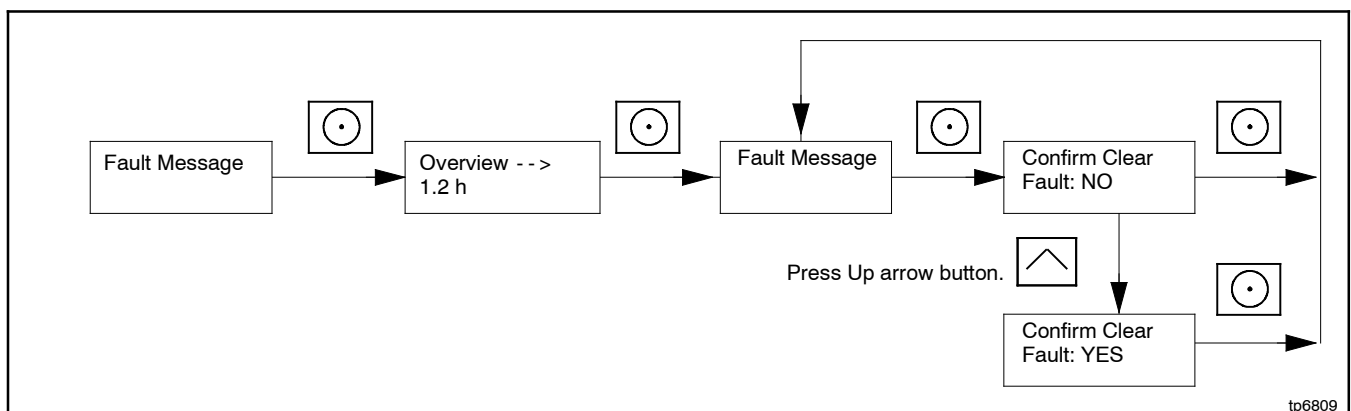


Figure 2-4 Clearing a Fault on the RDC2 Controller

| Fault Message | Warning (W) or Shutdown (SD) | Condition | Check |
|--|-------------------------------------|---|--|
| AC Sens Loss | W (1 sec.) SD (3 sec.) * | AC sensing lost. In Auto mode, generator output AC sensing is lost. Detection begins 10 seconds after crank disconnect. Warning: after 1 second if no output detected after crank disconnect. Shutdown: after 3 seconds if voltage was present and then lost. | Contact an authorized distributor/dealer for service. |
| Accy PwrOver Warning | W | Accessory Power Overload. An over current fault (short circuit) on the accessory controller power output. | Contact an authorized distributor/dealer for service. |
| Advanced Diagnostic (event history only) | SD | Shutdown during the reduced speed portion of an exercise. The event history will show Advanced Diagnostic Active. The engine then restarts, runs at full speed for 2 minutes, and stops. The controller returns to AUTO mode. The exercise schedule does not change. | If the generator set does not restart and return to AUTO, check for other faults that prevent generator set operation. |
| ATS ComError | W | ATS communication error. Warning is displayed if ATS interface connection is lost. See Section 2.6.3. | Check communication wiring between transfer switch interface board and generator set. |
| ATS PhaseRot | W | ATS phase rotation mismatch. Transfer switch phase rotation does not match, ATS will not transfer. | Correct the ATS connection. Refer to the ATS Installation manual, wiring diagrams, and labels on the transfer switch. |
| Aux Input | SD * | Auxiliary input. An optional customer-connected input is closed. (Digital input from optional PIM.) | Check customer-supplied equipment. |
| Batt Chg Flt | W | Battery charger fault. Input to PIM from an external battery charger (not the built-in battery charger). | Check external battery charger. |
| Battery CrLo Warning† | W | Engine starting battery voltage falls below 11 VDC for more than 10 seconds. Inhibited during the engine crank cycle. Clears when the battery voltage returns to an acceptable level. | Check the battery rating and condition. Check the battery charger operation. Charge or replace the battery. |
| Battery High | W | Engine starting battery voltage rises above 16 VDC for more than 10 seconds. Inhibited during the engine crank cycle. Clears when the battery voltage returns to an acceptable level. | Check the battery rating and condition. Check the battery charger operation. |
| Battery Voltage Low † | W | Engine starting battery voltage falls below 12.5 VDC for more than 90 seconds when the engine is not running. Not operative during the engine crank cycle. Clears when the battery voltage returns to an acceptable level. | Check the battery rating and condition. Check the battery charger operation. Charge or replace the battery. |
| Eng Speed High | SD * | Engine speed exceeds 115% of the normal running speed for more than 0.3 seconds. | Contact an authorized distributor/dealer for service. |
| Eng Speed Low | SD * | Engine speed drops below 85% of the normal running speed for more than 3 seconds. | Reduce the load. Model 20RESC/20RESCL only: Check enclosure thermostat and reset if tripped. See Section 5.6. Contact an authorized distributor/dealer for service. |
| * Engine cooldown runs before shutting down. | | | |
| † Low battery voltage may also trigger a Low Coolant Level fault on air-cooled models. | | | |

| Fault Message | Warning (W) or Shutdown (SD) | Condition | Check |
|------------------|------------------------------|---|--|
| Exer Not Sch | W | Exercise not scheduled. No exercise is scheduled on the controller. | See Section 3.6 for instructions to set the exerciser. |
| Frequency High | SD * | Governed frequency exceeds 110% of the system's frequency setpoint for more than 10 seconds. Function becomes active 10 seconds after engine start (10 second inhibit). | Contact an authorized distributor/dealer for service. |
| Frequency Low | SD * | Governed frequency falls below 90% of the system frequency setting for more than 10 seconds, or 1 Hz below the system frequency setting for more than 60 seconds. Function becomes active 10 seconds after engine start (10 second inhibit). | Reduce the load and restart the generator set. Model 20RESC/20RESCL only: Check enclosure thermostat and reset if tripped. See Section 5.6. Contact an authorized distributor/dealer for service. |
| Lo Crank Vlt | W | Low cranking voltage. Battery voltage falls below 8 VDC for more than 6 seconds while the starter is engaged. | Charge or replace the battery. |
| Locked Rotor | SD | No engine rotation is sensed during cranking. Shuts down 3 seconds after the fault is detected. | Check the battery. Check for loose connections. Contact an authorized distributor/dealer for service. |
| MainPwrOverL | SD | Main power overload. An over current fault on the 70 controller power output (short circuit). | Contact an authorized distributor/dealer for service. |
| Not in Auto | W | The generator set is not in Automatic (standby) mode. Remote start and stop commands from a transfer switch or remote switch will be ignored. | Press AUTO to place the generator set in Automatic mode, when appropriate. |
| Oil Press Low | SD * | The LOP switch indicates low oil pressure for more than 5 seconds. Function becomes active 30 seconds after crank disconnect (30 second inhibit). Note: The low oil pressure shutdown does not protect against low oil level. Check the engine oil level regularly as recommended in Section 4. | Check for leaks in the lubrication system. Check the oil level and add oil if the level is low. Check the oil pressure switch and wiring. |
| Over Crank | SD | Three unsuccessful starting attempts. | Check the fuel supply, spark plug, and battery. Check for loose connections. Contact an authorized distributor/dealer for service. |
| Spd Sens Flt | SD | Engine speed sensor has failed or engine stalled. | Contact an authorized distributor/dealer for service. |
| Volts L1-L2 High | SD * | Generator voltage high. Output voltage exceeds 120% of the system nominal voltage for more than 2 seconds. | Contact an authorized distributor/dealer for service. |
| Volts L1-L2 Low | SD * | Generator voltage low. Output voltage falls below 80% of the nominal system voltage for more than 10 seconds. | Reduce the load and restart the generator set. Model 20RESC/20RESCL only: Check enclosure thermostat and reset if tripped. See Section 5.6. Contact an authorized distributor/dealer for service. |

| Fault Message | Warning (W) or Shutdown (SD) | Condition | Check |
|---|------------------------------|------------------------------|--|
| Low Coolant Level | W | Battery voltage supply issue | Verify utility power connection to customer connection terminal block TB1. Check battery connections, including charging connections. Check the battery condition and replace, if necessary. |
| <p>* Engine cooldown runs before shutting down.</p> <p>† Low battery voltage may also trigger a Low Coolant Level fault on air-cooled models.</p> | | | |

Figure 2-5 Controller Fault Messages

2.6.5 Faults Related to Paralleling

If the PowerSync® Automatic Paralleling Module (APM) is used with two 14 kW or two 20 kW generator sets, additional faults and events related to the paralleling system may be displayed on the controller and/or in OnCue Plus. This section lists those faults and events.

See the installation instructions provided with the APM for additional paralleling information.

Note: Contact an authorized distributor or dealer for paralleling system installation, startup, troubleshooting, or service.

| Fault Text | Description | When Active | Warning Delay, sec. | Display Cleared On |
|----------------------------|-----------------|-------------|---------------------|---------------------|
| Current A High Warning | Over Current | Paralleled | 10 | Press AUTO or OFF * |
| Frequency High Warning | Over Frequency | Paralleled | 10 | Press AUTO or OFF * |
| Frequency Low Warning | Under Frequency | Paralleled | 10 | Press AUTO or OFF * |
| Reactive Power Low Warning | Loss of Field | Paralleled | 10 | Press AUTO or OFF * |
| Real Power High Warning | Over Power | Paralleled | 10 | Press AUTO or OFF * |
| Real Power Low Warning | Reverse Power | Paralleled | 10 | Press AUTO or OFF * |
| Voltage L1-L2 High Warning | Over Voltage | Paralleled | 10 | Press AUTO or OFF * |
| Voltage L1-L2 Low Warning | Under Voltage | Paralleled | 10 | Press AUTO or OFF * |

* Pressing OFF will stop the generator set.

Figure 2-6 Warning Messages (protective relay disconnect)

| Fault Text | Description | Possible Causes * |
|--------------|---|--|
| BusDeadLive | The bus is measured to be dead when one of the generators is supposed to be supplying voltage to the bus (closed contactor) | Bus metering V9A and V9B connections to V9 of paralleling protection harness are connected incorrectly. |
| BusLiveDead | The bus is measured to be live when no generators are connected to it (both contactors open). | Bus metering V9A and V9B connections to V9 of paralleling protection harness connected incorrectly. |
| CfgModelNum | The two generators that are intended to be paralleled have incompatible model numbers. | Incorrect configuration of one of the generators. Different generator types. The paralleled generator sets must be the same kW model. (i.e. two 14 kW or two 20 kW models.) |
| CfgSysVolt | The system voltage of the two generators intended to be paralleled is not the same. Because the system does not know which voltage is correct, the generators will not be allowed to start. | One of the two generators is incorrectly configured. Intermittent connections on RBUS network wiring. |
| ChkngMeter | This generator has paralleled to the other generator and is verifying that the metering is connected and establishing the connection direction. | Status message appears the first time the two generators are paralleled. |
| ConCheckFail | Failure to Auto-Discover APM connections. | Wires 9A and 9B crossed between the generators. Wires 9A or 9B not connected |
| ConChecking | Performing APM connection auto-discovery. | This generator has started in RUN, the other generator is in OFF. |
| ConNotDeterm | APM connection auto-discovery is not complete. This means that the generator does not know which contactor is connected to it. | Generators not yet started in RUN with other generator in OFF. See the APM instruction sheet for instructions to perform the auto-discovery procedure. |
| ContactorOk | Successful auto-discovery of APM connections. | Auto-discovery was activated by placing other generator in OFF and this generator in RUN. |

| Fault Text | Description | Possible Causes * |
|-------------------|---|--|
| ErraticSig | The power metering on this controller gives a signal that is not consistent with the system configuration. Reversing the power direction does not resolve the problem. | Bad wiring to the CT. Too much tension on wires from the CT to the controller. |
| LossOfComAPM | The Automatic Paralleling Module has stopped communicating on RBUS. (An APM was detected on the RBUS network but is no longer communicating.) | APM is unplugged. Primary controller is powered down. Check the battery connections. See previous page for more information. Intermittent connections on RBUS network wiring. Check RBUS communication connections. |
| LossOfComm2 | The primary controller has lost communication with the secondary controller. (A secondary controller was detected, then communication was lost.) | RBUS disconnected, secondary controller battery disconnected, updating firmware in secondary controller, or intermittent RBUS connections. |
| LossOfField | This generator has absorbed more than 25% reactive power (magnetic excitation current) for 20 seconds | Generator voltage on this generator is not calibrated correctly. Generator voltage on other generator is not calibrated correctly. Bus voltage on this generator is not calibrated correctly. Bus voltage on the other generator is not calibrated correctly. |
| MeteringOk | The generator has verified that the metering is connected correctly and that the direction is consistent with expected power direction. | Status message indicates that the CT is connected to the generator correctly. |
| MeterUnknown | This generator does not know if the metering is connected or the orientation of the connection. This means that the generators can't share load accurately until this information is known. | System commissioning and startup not yet complete. See the APM instructions. |
| NoCurrent | The generator has applied load (using the other generator) and has observed no current on the power sensing inputs. | The CT is not connected to the controller. The output leads from the generator do not go through the CT in the correct direction. See the APM instructions. |
| SyncFailure | The generator has been attempting to synchronize for over 2 minutes without success. | Generator is hunting. Advanced speed control settings need adjustment. Load is changing frequently to disturb the online generator. |

* For paralleling system troubleshooting and service, contact an authorized distributor or dealer.

Figure 2-7 Events Related to Paralleling

| Generator Set State | Description |
|---------------------------------|---|
| Generator Management Off | This generator has been stopped by generator management because it is not presently needed to supply the load. The generator is available and will start if it is needed again. |
| ProtectiveRelayTrippedContactor | The contactor has been forced to open to protect one of the generators or the customer's load. |
| Synchronizing | The generator is actively trying to match frequency, voltage and phase with that of the paralleling bus. |
| Unloading | The generator is actively trying to transfer load from itself to the other generator. |

Figure 2-8 Generator Set States Related to Paralleling

Section 3 RDC2 Controller Operation

3.1 RDC2 Generator Set/Transfer Switch Controller

The generator sets are equipped with the RDC2 generator set/transfer switch controller. See Figure 3-1 for controller illustrations. The operation is the same for the original and revised controllers.

The RDC2 controls the following power system components:

- Model RESA/L or RESC/L generator set
- Model RXT Automatic Transfer Switch (ATS)
- Load management device
- Programmable Interface Module (PIM)

The RDC2 controller features include:

- Two-line x 16 character backlit digital display with adjustable contrast
- OFF, AUTO, and RUN generator set master control buttons
- Generator set status indicating LEDs (OFF, AUTO, RUN)
- Up, Down, and Select buttons for navigation through menus and adjustments
- Power system indicator LEDs to show utility and generator source status, and to show which source (utility or generator) is supplying power to the load

3.2 Controls and Indicators

Figure 3-1 illustrates the RDC2 controller. See Figure 3-2 for details of the controller's user interface.

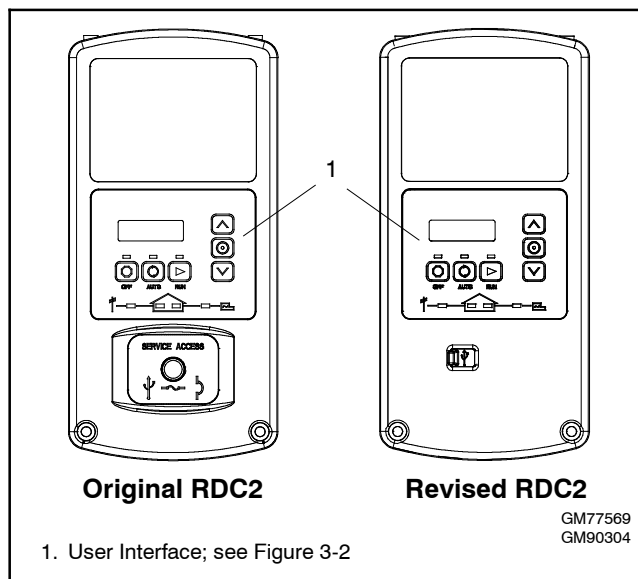


Figure 3-1 RDC2 Controls and Indicators

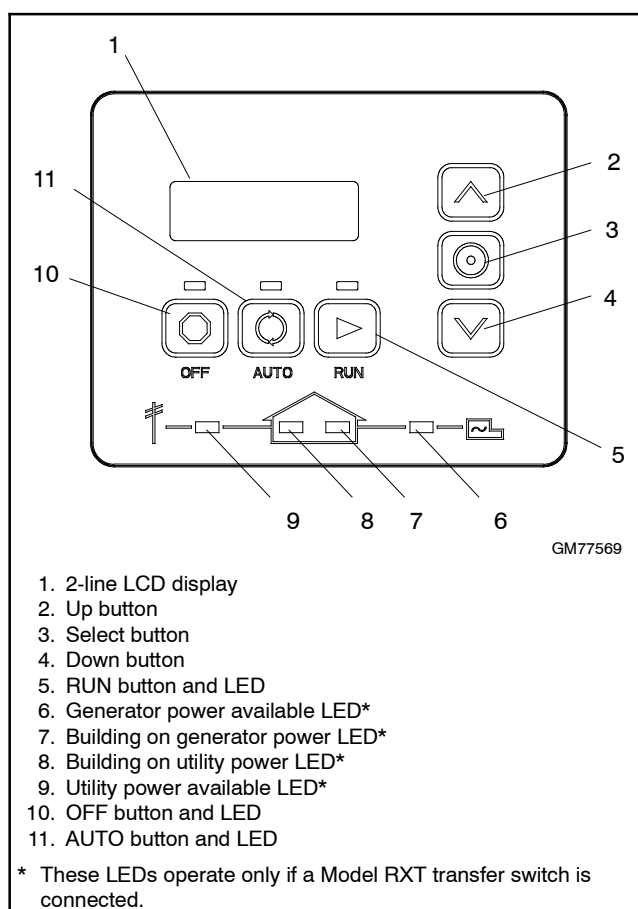


Figure 3-2 RDC2 User Interface

3.2.1 Controller Keypad

The RUN, OFF, and AUTO buttons control the generator set as described in Figure 3-3.

Use the Select, Up arrow, and Down arrow buttons to navigate through the menus and change settings, if necessary. See Section 2.4 for operation instructions.

3.2.2 LED Indicators

LEDs above the RUN, OFF, and AUTO buttons indicate the mode of operation as shown in Figure 3-4.

Power System LEDs indicate the status of the utility power and the generator set, and indicate which source is supplying power to the building (based on the position of the RXT transfer switch). See Figure 3-2 and Figure 3-4.

Note: The power system LEDs operate only if a Model RXT transfer switch is connected.

| Button | Button Function |
|------------|---|
| RUN | Starts the generator set. The engine start time delay is ignored. |
| OFF | Stops the generator set. The cooldown time delay is ignored. During the engine crank cycle, pressing OFF will stop the crank cycle. Press OFF to clear faults and reset the controller. |
| AUTO | Places the generator set in Automatic (standby) mode. |
| Down arrow | Use to navigate through menus and change settings. This manual contains instructions to navigate the controller menus and adjust settings on the RDC2 controller. |
| Select | |
| Up arrow | |

Figure 3-3 RDC2 Controller Pushbutton Operation

| LED | LED Operation |
|-------------------------------|--|
| RUN | Lights when the generator set has been started locally by pressing the RUN button. Remote start and stop commands are ignored. |
| OFF | Lights for 2 seconds, then flashes every 2 seconds when the generator set and controller are off. Remote start/stop commands have no effect. The exercise cycle will not run. In Auto mode, OFF LED flashes quickly to indicate a fault shutdown. Attention required. Identify and correct the fault condition before resetting the controller. |
| AUTO | Lights when the generator is in automatic (standby) mode. Generator set will respond to engine start and stop commands from the controller (for example, exercise start and stop commands) or an ATS. Time delays operate as described in Section 2.4. |
| Utility Power Available * | Lights when utility power is available. |
| Building on Utility Power * | Lights when the building load is connected to utility power through the RXT transfer switch. |
| Generator Power Available * | Lights when generator power is available. |
| Building on Generator Power * | Lights when the building load is connected to generator power through the RXT transfer switch. |

* These LEDs operate only if a Model RXT transfer switch is connected.

Figure 3-4 RDC2 Controller LED Operation

3.2.3 LCD Display

The controller is equipped with a two-line x 16 character backlit digital display with adjustable contrast. When the generator is running, the controller automatically scrolls through the displays shown in Figure 3-5. When the system is in AUTO, the screens shown in Figure 3-6 are displayed.

When a fault or warning condition exists, the controller will show the corresponding message. See Section 2.6 for more information about faults.

Controller menus display power system information, including status information for the engine, generator, and optional RBUS accessories, exercise settings, and event history. Some menus allow changes to the controller settings. See Sections 3.7 through 3.21 for menu diagrams.

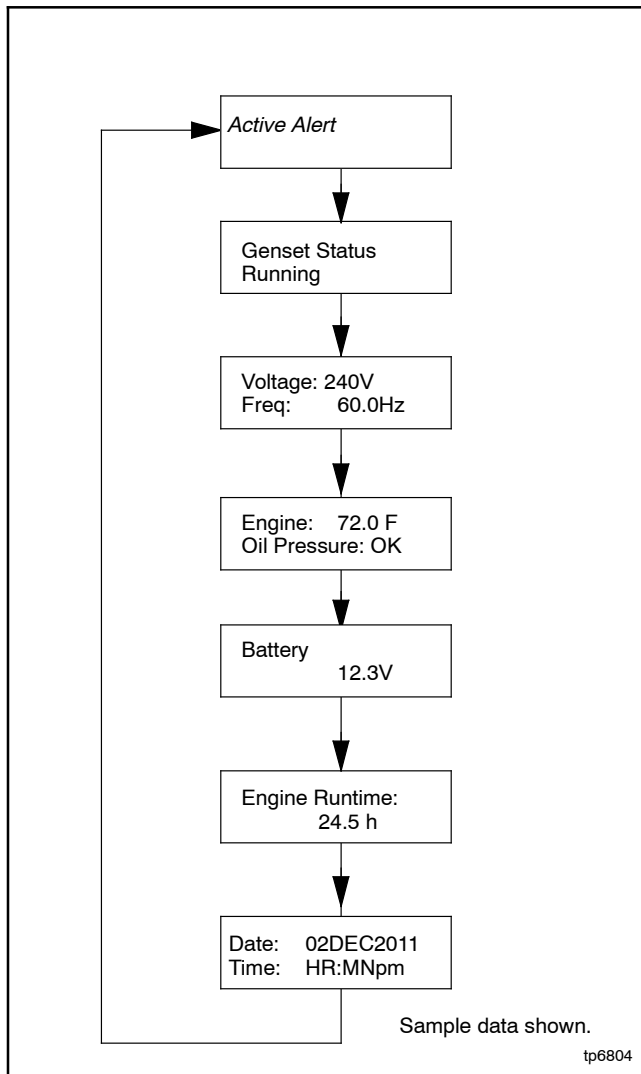


Figure 3-5 Autopaging Displays, Generator Running

The display contrast is adjustable. Navigate to the Genset System menu and step down to the Contrast screen. Press the Select button, and then use the up and down arrow buttons to adjust the contrast. See Section 3.5, Changing Settings, and Section 3.14, Genset System Menu.

The display backlight turns off after about a minute of no activity. The backlight turns on when a button is pressed or when the generator set starts.

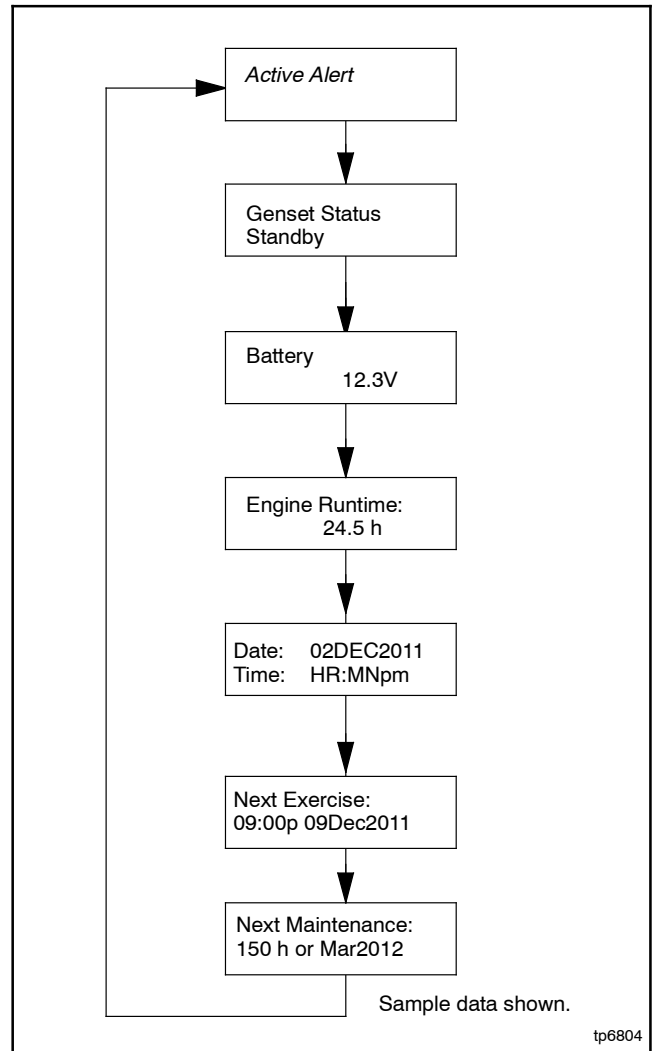


Figure 3-6 Autopaging Displays, Automatic Mode

3.3 Controller Power

The RDC2 controller is powered by the generator set engine starting battery and the built-in battery charger.

Note: To disconnect controller power, disconnect the utility power to the generator set *and* disconnect the battery.

If controller power is disconnected and reconnected, you will be prompted to set the language, time, date, and exerciser. The first setting will flash. Press the Up and Down arrow buttons to change the setting. Press Select to save the setting and move on to the next. Repeat until all settings are saved and the controller returns to the main menu. See Section 3.5 for more detailed instructions to change settings on the RDC2. See Section 3.6 for more detailed instructions to set the exerciser or change the exercise settings.

3.4 Battery Charging

The controller includes a built-in battery charger to maintain the engine starting battery. The RDC2 controller monitors the battery voltage and provides a constant $13.4 \pm 2\%$ VDC voltage and maximum 2.5 amps to charge the battery.

The installer must connect utility power provided from the building on a breaker-protected circuit for the built-in battery charger as described in the generator Installation Manual.

3.5 Changing Settings

Some settings can be changed from the controller keypad. The controller settings and generator set output are factory-set and should not require field adjustment under normal circumstances. Check and adjust the settings and/or output when:

- The controller has been replaced.
- The voltage requires adjustment for a particular application.
- Troubleshooting generator set problems.

Have controller setup and adjustment performed only by an authorized distributor/dealer or authorized representative.

The following procedure explains how to change settings. See Figure 3-7 for an example using the Date and Time settings.

Note: Use caution when navigating the controller menus. In some menus, pressing the Select button can enable editing of the controller settings. Changing the settings to incorrect values can adversely affect generator set operation or render the unit inoperable.

Procedure to Change Settings

1. Press the Select button to enter the main menu.
2. Press the down arrow button until the desired menu is displayed. The Genset System menu is used for this example. See Figure 3-9.
3. Press the Select button to enter the genset system displays. See Figure 3-7.
4. Press the down arrow button to step through the generator set system settings.
5. To change any of the genset system settings, press the Select button. The selected setting flashes.
6. Press the up or down arrow buttons to increase or decrease the setting.
7. When the desired setting is shown, press Select. The value stops flashing. If there are additional adjustable settings on the screen, the next setting flashes. For example, in the date menu, the day, month, and year can be adjusted.
8. Repeat steps 6 and 7 for each setting on the screen.
9. Press the down arrow to step to the next screen.
10. To exit, press the down arrow button until Return is displayed. Press the Select button to exit the menu.
11. Press the AUTO or OFF button to exit the main menu.

Note: If no buttons are pushed, the controller exits the menus and returns to the generator set status display after 5 minutes.

Changing Settings on the RDC2 Controller

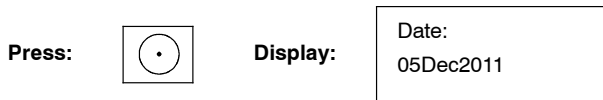
1. Press the Select button to enter the main menu.



2. Press the down arrow button until the desired menu is displayed. See Figure 3-9. Date and Time are used for this example.



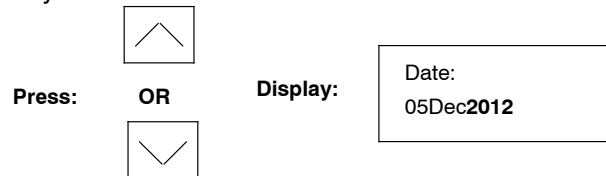
3. Press the Select button to enter the Date and Time menu.



4. To change the date and time settings, press the Select button again. The year will flash.



5. Press the up or down arrow buttons to change the year.

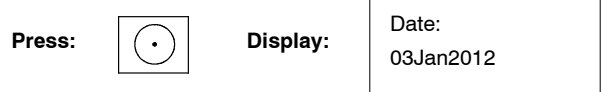


6. When the correct year is shown, press the Select button. The year is saved and the next setting (month) flashes.



7. Repeat steps 5 and 6, using the arrow and select buttons to set the month and the date.

8. When the correct date is shown, press the Select button. The saved date is shown.



9. Press the down arrow button to step to the next menu.



10. Repeat steps 5 and 6, using the arrow and select buttons to set and save the time.

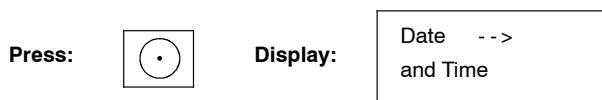
Note: To change from am to pm, press the up arrow key to increase the hour until the correct hour and pm is displayed.

11. In the time format menu, press Select and then press the up or down arrow button to change the format, 12 hr. or 24 hr. Press Select to save the displayed format.

12. Press the down arrow button. Return is displayed.



13. Press Select to return to the Date and Time menu.



14. Press the Up or Down arrow buttons to step to a different menu.

15. Press Auto to signal the controller to exit the menus and return to the generator set status display.



Note: If no buttons are pressed, the controller returns to the status display after 5 minutes.

Figure 3-7 Changing Settings

3.6 Setting the Exerciser

Set the exerciser to automatically run the generator set for 20 minutes every week or every two weeks.

3.6.1 Setting the Exerciser at Controller Power-up

When battery power is connected to the controller, you will be prompted to set the language, date and time, and then to set the exerciser.

The first setting will flash. Press the Up and Down arrow buttons to change the setting. Press Select to save the setting and move on to the next. See Section 3.5 for more detailed instructions to change settings on the RDC2.

If the battery is disconnected and reconnected during generator set maintenance or service, the time, date, and exercise settings will need to be re-entered.

3.6.2 Changing the Exercise Settings

This section explains how to change the exercise settings after the initial setup.

Follow the procedure below and see the flowchart in Figure 3-8 to set the exercise time and date, mode, and frequency.

Procedure to Set the Exerciser

1. Press the AUTO button on the controller.
2. Press the Select button to go to the main menu. See Figure 3-9.
3. Press the down arrow button to step to the Genset System menu.
4. Press the Select button to enter the Genset system menu. See Figure 3-8.
5. Use the down arrow button to step to the Next Exercise menu. If the exerciser is not set, No Exercise Scheduled will be displayed.
6. Press and HOLD the Select button to enable editing.

7. Press the Select button. The setting flashes to show that it can be changed. For example, HR flashes to show that the hour can be changed.
8. Press the Up or Down arrow buttons to change the setting.
9. Press the Select button to save the setting and move to the next. For example, save HR setting and move to MN.
10. Repeat steps 5 through 9 to change the next item on the line until the desired settings are displayed.
11. Press Select to save after all settings have been selected. Settings will stop flashing.
12. If the generator set is connected to a Kohler® Model RXT transfer switch, the exercise can be changed to a loaded exercise. Set the Exercise Mode to Unloaded Cycle, Unloaded Full, or Loaded Full (RXT ATS required) as shown in Figure 3-8. Unloaded Cycle is recommended. See Sections 2.5.2 through 2.5.4 for information about the exercise modes.
13. Set the exercise frequency (weekly or every two weeks). Weekly exercises are recommended.
14. Press the down arrow button to step to the Return menu. Press the Select button to return to the main menu.

After a scheduled exercise run, the next exercise time and date will be updated automatically based on the Exercise Frequency setting.

Other transfer switches: For a loaded exercise with a transfer switch other than a Kohler® Model RXT ATS, refer to the transfer switch operation manual for instructions.

Exerciser Reset

To reset the exerciser to run at a different day and/or time or to change the exercise mode, follow the procedure in Section 3.6.2 to change the exerciser settings.

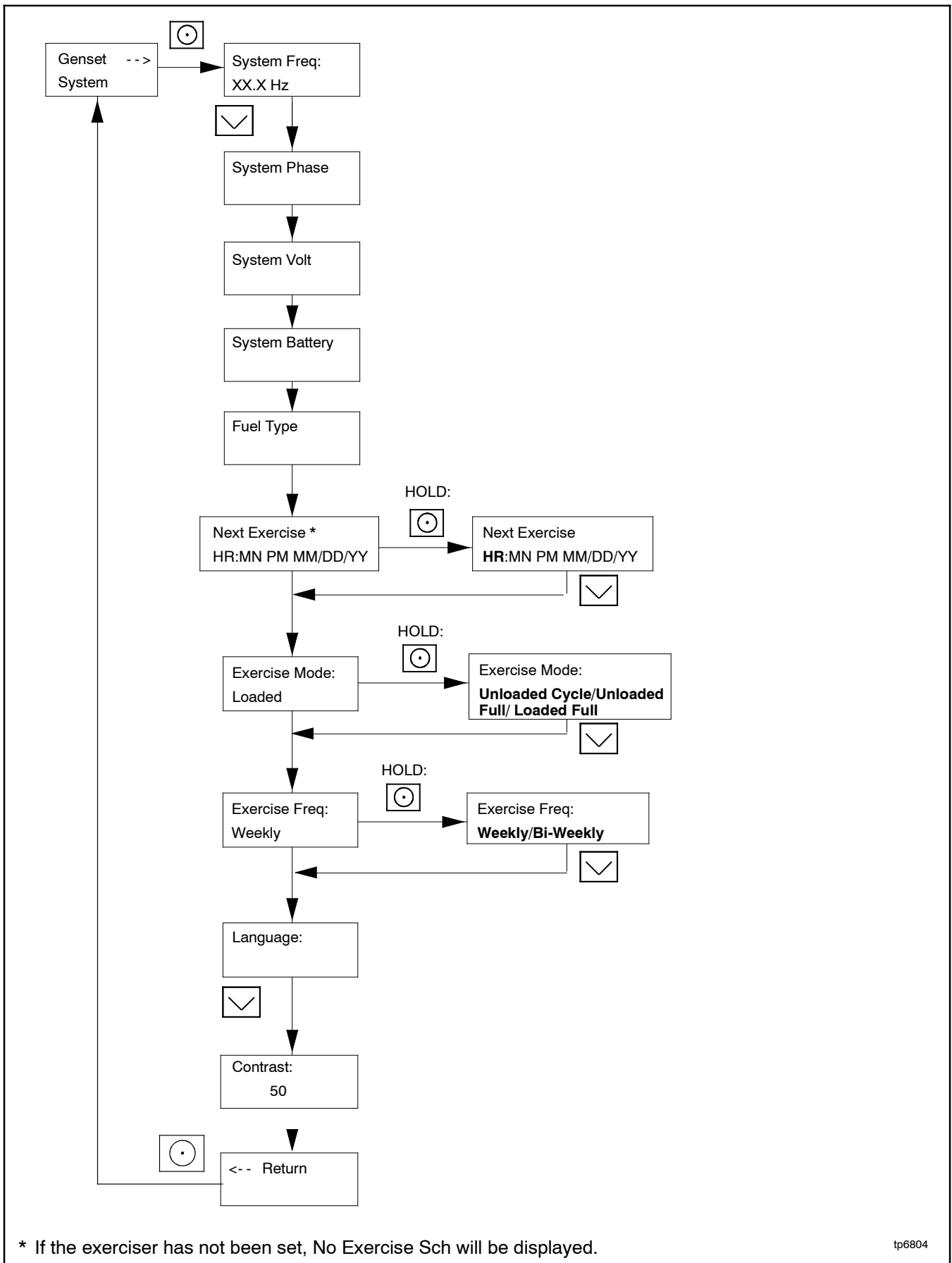


Figure 3-8 Procedure to Set the Exerciser on the RDC2 Controller

3.7 RDC2 Controller Menus

Controller menus display power system information, including status information for the engine, generator, and optional RBUS accessories, exercise settings, and event history. Some menus allow changes to the controller settings. Status information, including the engine runtime, cannot be changed by the operator.

Diagrams in the following sections show how to navigate through the menus. The diagrams show sample settings. Settings for your application may vary.

Note: Use caution when navigating the controller menus. In some menus, pressing the Select button can enable editing of the controller settings. Changing the settings to incorrect values can adversely affect generator set operation or render the unit inoperable.

If a setting on the controller display is flashing, edit mode has been enabled. Press the OFF or AUTO button to exit the edit mode.

3.8 Main Menu

Press the Select button once to bring up the main menu. Overview is displayed. See Figure 3-9. Press the down arrow button to step to the next menu, Engine Metering. Use the UP and DOWN arrow buttons to step up and down through the menus shown in Figure 3-9.

The controller will exit the main menu after 5 minutes if no buttons are pressed. To exit the main menu immediately, press the controller's OFF or AUTO button.

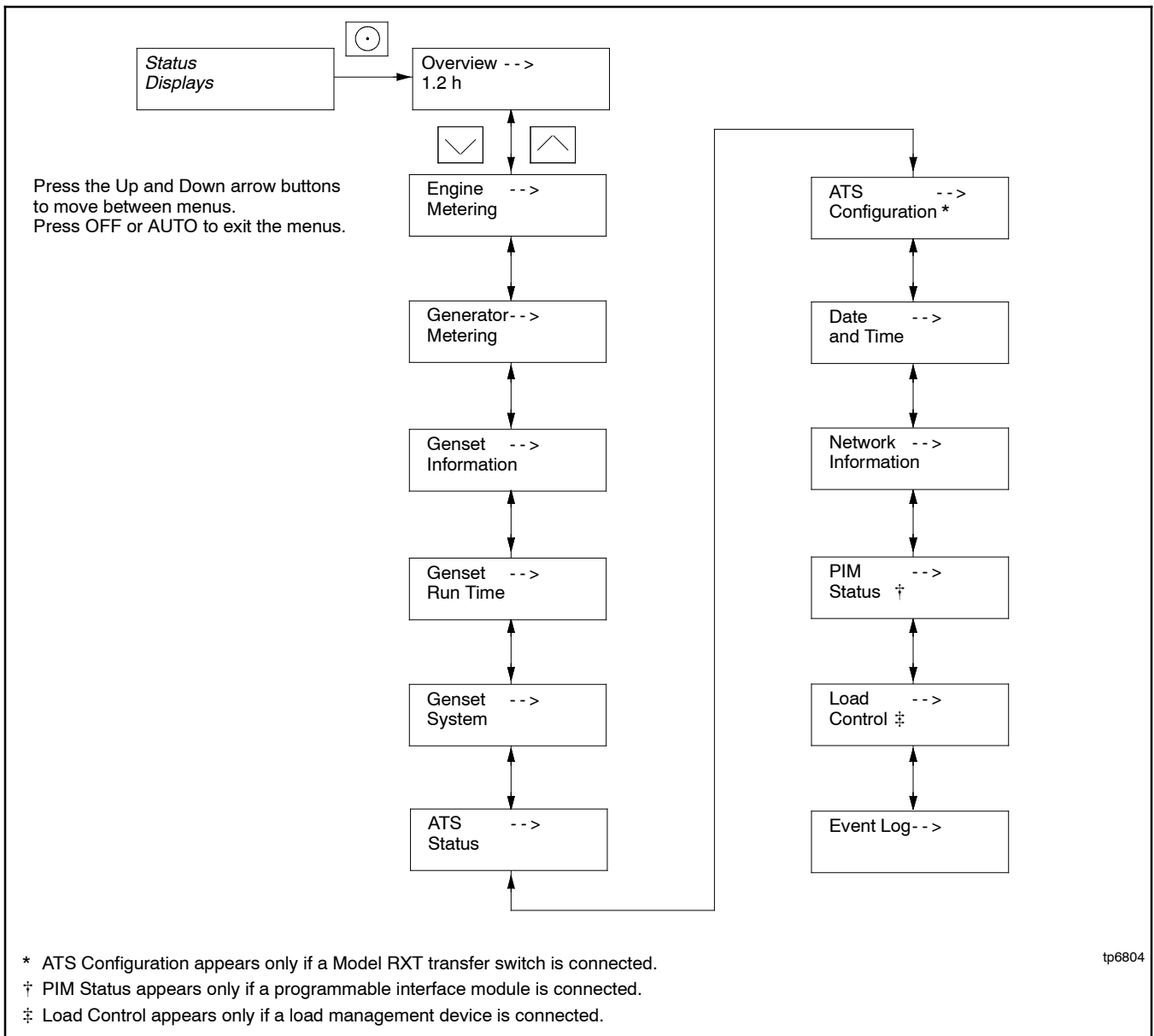


Figure 3-9 RDC2 Main Menu

3.9 Overview Menu

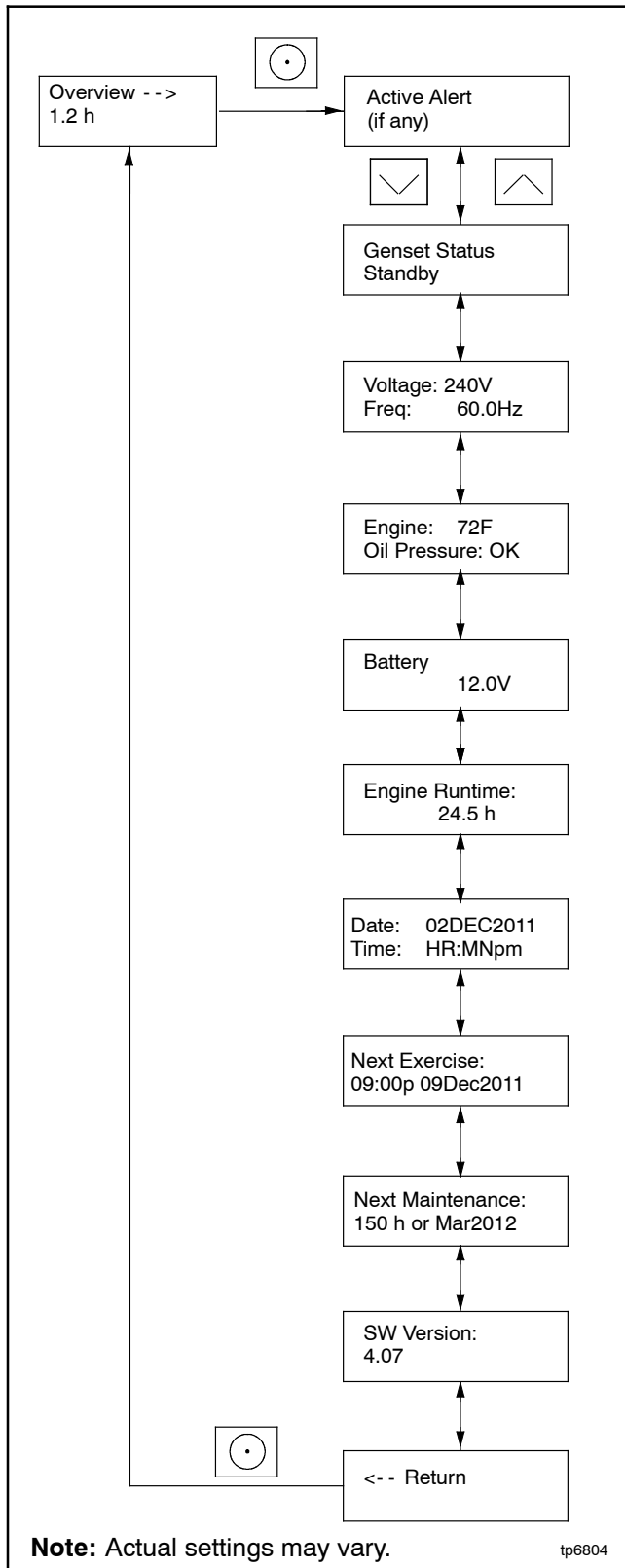


Figure 3-10 Overview Menu

3.10 Engine Metering Menu

The engine metering menu displays engine status information as shown in Figure 3-11. This menu displays status information only. No settings can be changed from this menu.

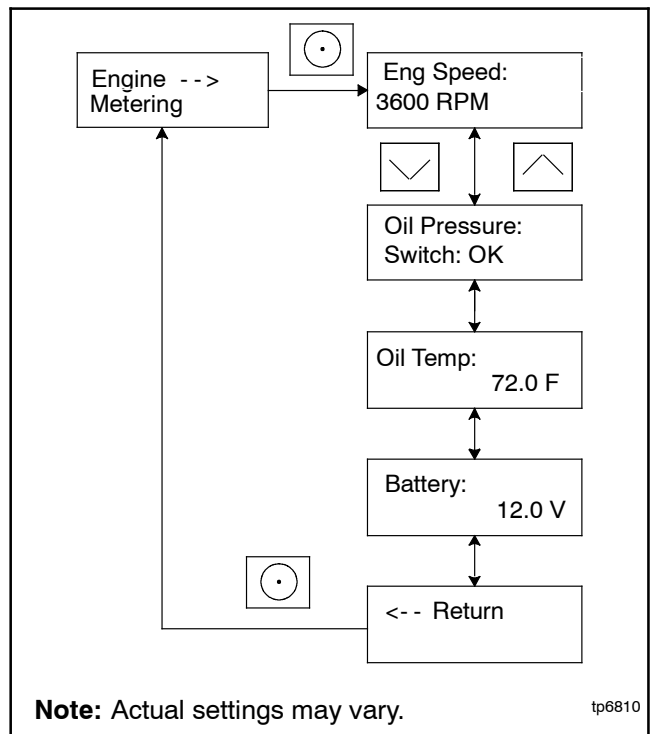



Figure 3-11 Engine Metering Menu

3.11 Generator Metering Menu

The generator metering menu displays the generator voltage and frequency. See Figure 3-12.

Voltage Calibration

| |
|---|
| ⚠ DANGER |
|  |
| Hazardous voltage. Will cause severe injury or death. |
| This equipment must be installed and serviced by qualified electrical personnel. |

The voltage calibration mode can be entered from the Generator Metering menu. Contact a Kohler-authorized distributor/dealer for service.

The Reset Calibration menu allows you to set the voltage reading back to the original value after calibration, if necessary. See Figure 3-12.

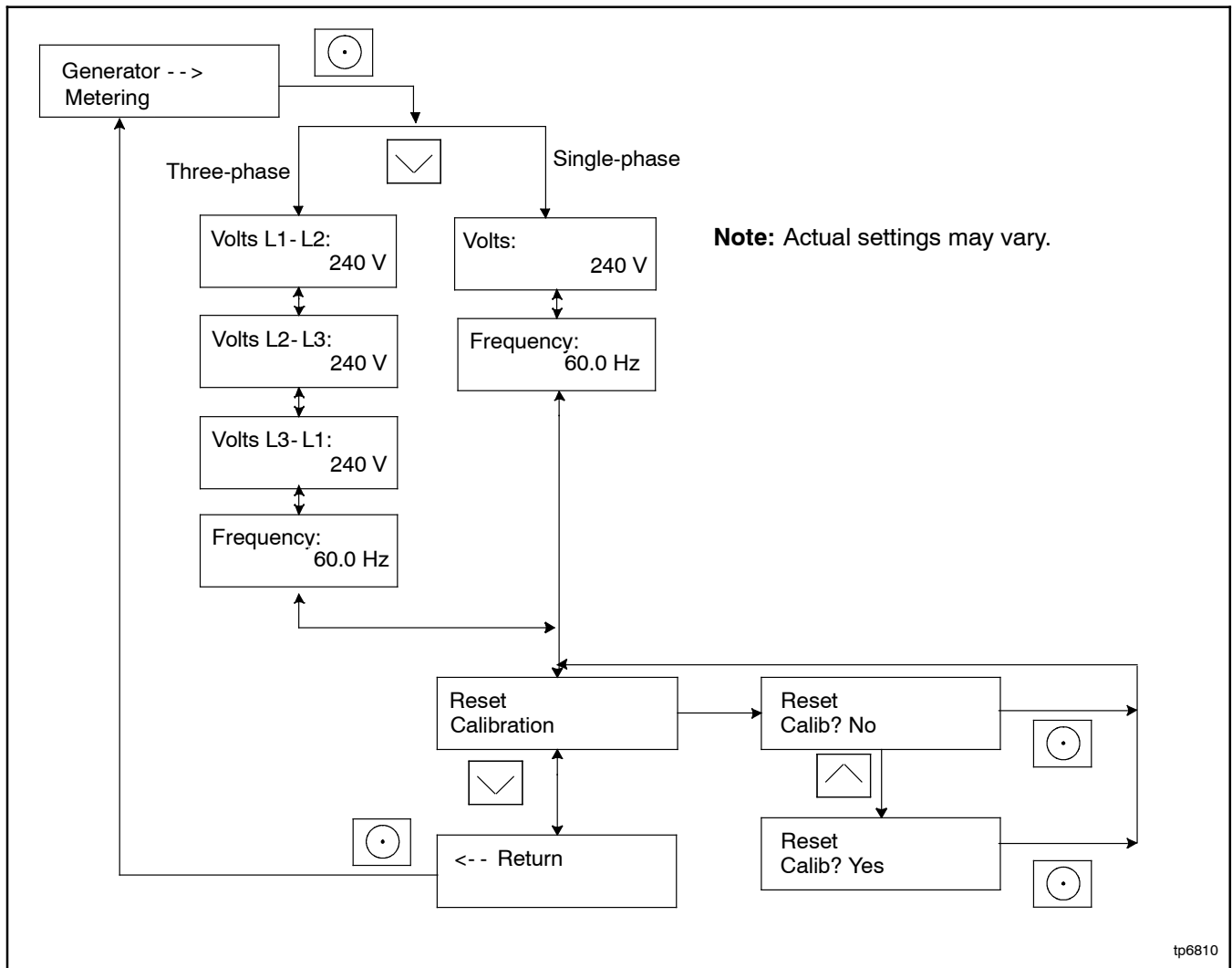


Figure 3-12 Generator Metering Menu

3.12 Generator Set Information Menu

The generator set model number and serial numbers are displayed. No changes are allowed from this menu.

Model and serial numbers are factory set and should not require changes in the field, except in the event that the controller is being replaced. A personal computer running Kohler SiteTech software is required to enter the generator set model number and serial numbers on a replacement controller. Contact an authorized Kohler distributor/dealer for service.

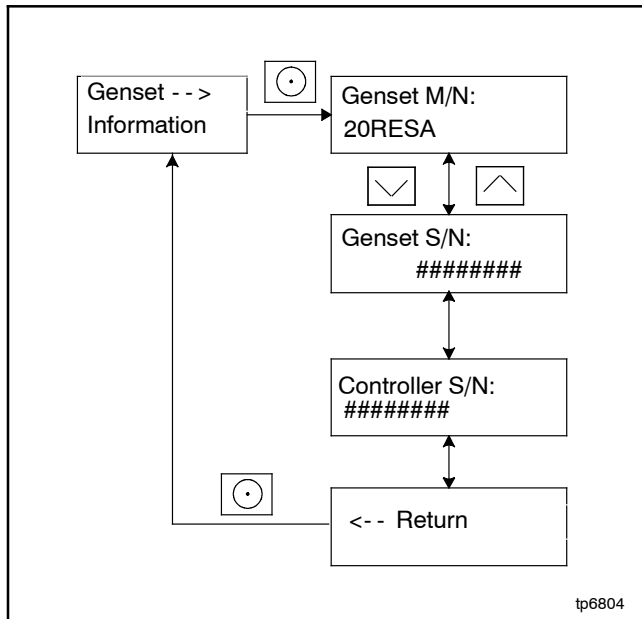


Figure 3-13 Generator Set Information Menu

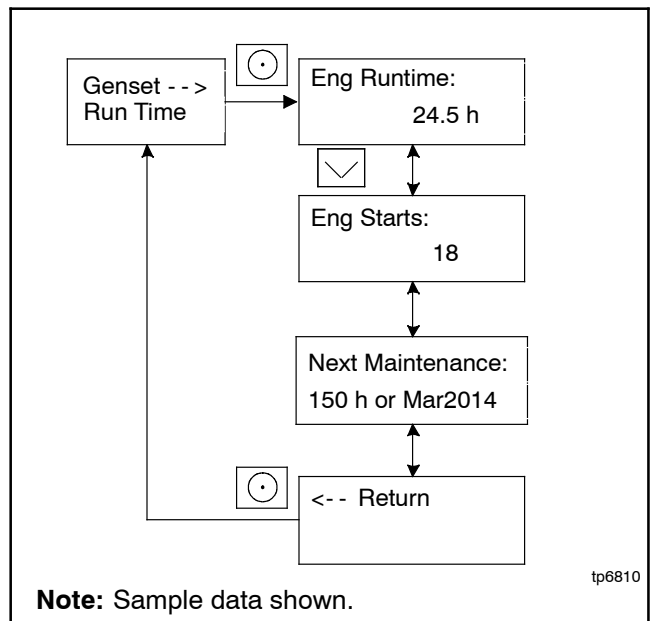
3.13 Genset Run Time Menu

The data shown in Figure 3-14 are displayed. No changes are allowed from this menu.

Eng Runtime displays the total number of hours that the generator set engine has run. The runtime is not resettable.

The Next Maintenance menu shows the number of hours of generator set operation until maintenance is required. The estimated date for the next scheduled maintenance is also displayed. The maintenance reminder intervals are based on the engine manufacturer's recommendation for changing the oil. Refer to Section 4, Scheduled Maintenance, for maintenance instructions.

After changing the oil and performing other recommended maintenance, go to the Overview menu to reset the maintenance timer. See Section 4.2.5 for instructions to reset the maintenance timer.



Note: Sample data shown.

Figure 3-14 Generator Set Run Time Menu

3.14 Genset System Menu

The genset system menu displays the system information shown in Figure 3-15. Generator sets are factory set and should not require changes to the system settings in the field.

A Kohler authorized distributor or dealer can adjust these settings, if necessary. If the generator set is reconnected to a different voltage or the system settings require adjustment for some other reason, see Section 3.5 for instructions to enable editing and change the system settings.

Note: Use caution when navigating the controller menus. In some menus, pressing the Select button can enable editing of the controller settings. Changing the settings to incorrect values can adversely affect generator set operation or render the unit inoperable.

Voltage Regulator (VR) Voltage Adj

The generator set voltage is factory set and typically does not require adjustment in the field. If voltage adjustment is required, contact a Kohler authorized distributor or dealer for service. Refer to the generator set Installation Manual for instructions to adjust the voltage.

Fuel Type

The fuel type, LP or natural gas, is shown. Do not change the fuel type in this menu unless the generator's fuel system has been converted by an authorized distributor or dealer.

Setting the Exerciser

Use the Genset System menus to set the generator set exerciser. Refer to Section 2.5 for instructions to set the exerciser and for more information about exercising the generator set.

After a scheduled exercise run, the Next Exercise time and date will be updated automatically based on the Exercise Frequency setting.

Language

Controllers with firmware versions 6.1 or higher can be set for the following languages: English, French, Spanish, Dutch, or German.

Adjusting the Display Contrast

To adjust the display contrast, use the down arrow button to step to the Contrast menu. Press the Select button, and then use the up and down arrow buttons to

adjust the contrast. Press the Select button to save the contrast setting.

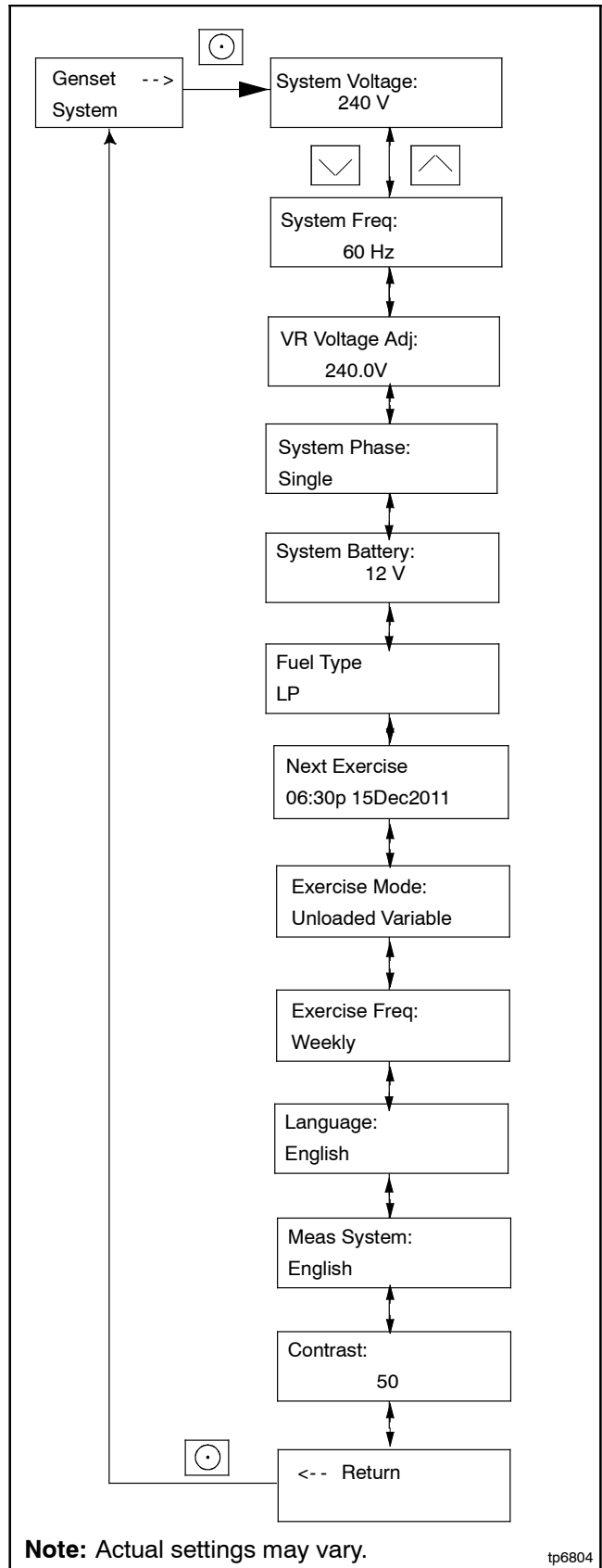


Figure 3-15 Genset System Menu

3.15 ATS Status Menu

ATS menus appear if a Model RXT transfer switch is connected to the generator set. If no transfer switch is connected, or another model ATS is connected to the engine start connections, Remote ATS is displayed on the ATS Status screen.

The ATS Status menu displays Model RXT transfer switch and source information.

The voltage shown in these menus can be calibrated. Follow the safety precautions at the beginning of this manual. Use a voltmeter to measure the line-to-line voltage and follow the instructions in Figure 3-16 to calibrate the voltage readings.

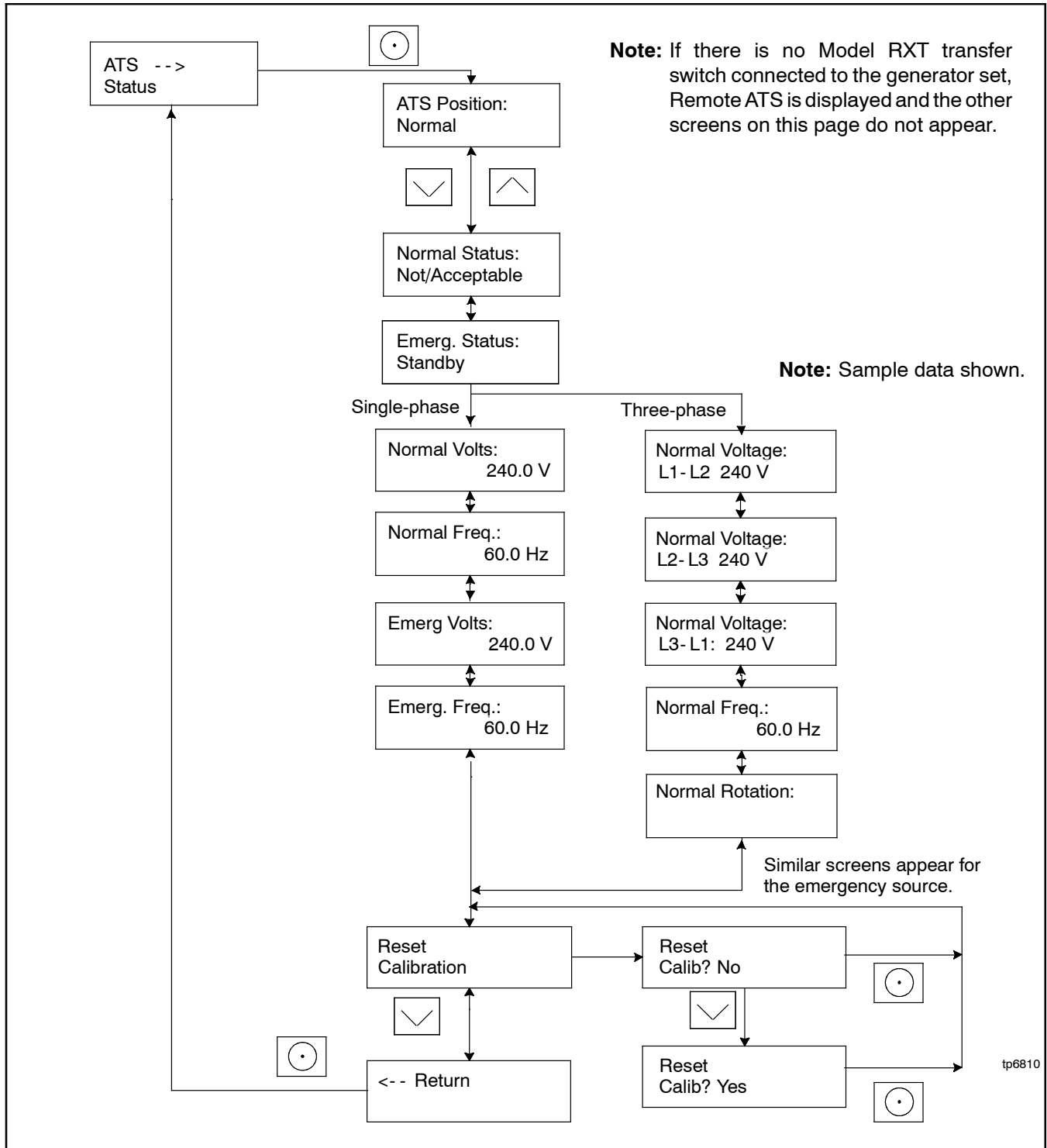


Figure 3-16 ATS Status Menu, with Calibration

3.16 ATS Configuration Menu

Note: The ATS Configuration menu appears only if a Model RXT transfer switch is connected.

Use the ATS Configuration submenu to check the Model RXT transfer switch system settings and time delays, and change the settings, if necessary.

Changing ATS Configuration Settings

To enable editing, press the select button. The value flashes to indicate that it can be changed. Press the up and down arrow buttons to change the value. Press the Select button to save the value shown.

Use the up and down arrow buttons to move to the next value to be changed. Repeat the adjustment process until all values are correct.

Press the down arrow until Return is displayed. Press the select button to return to the main menu.

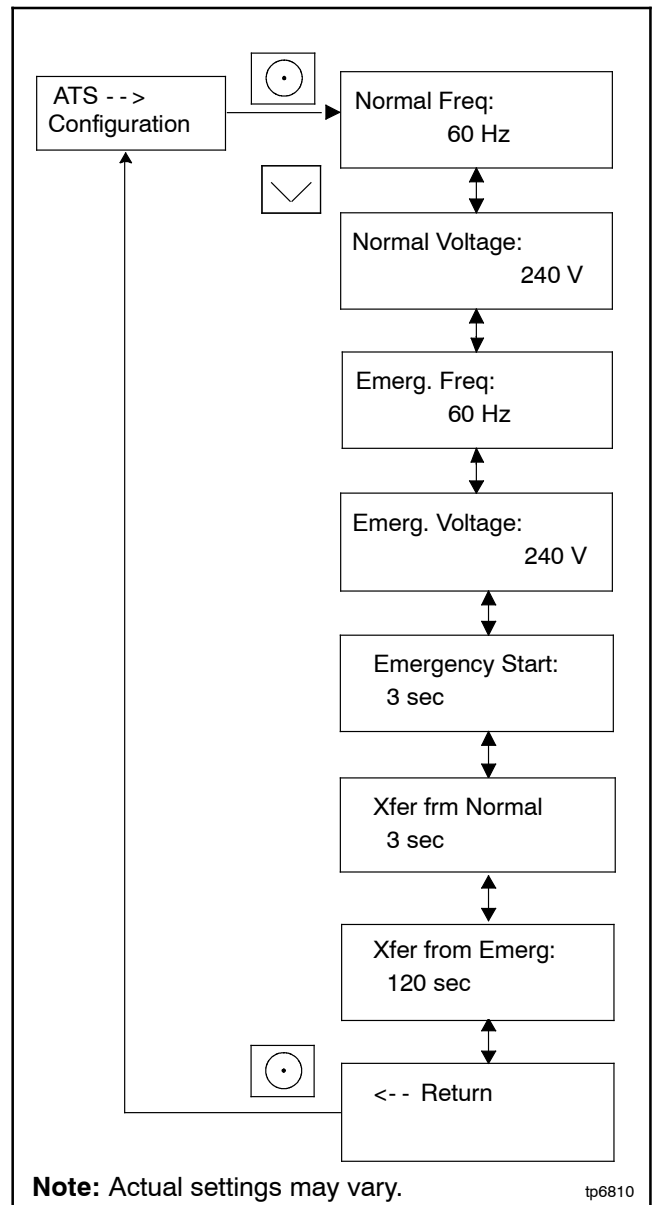


Figure 3-17 ATS Configuration Menu

3.17 Date and Time Menu

The date and time will typically be set at controller power-up. To change the date, time, or time format (12 hour or 24 hour), use the Date and Time menu. See Figure 3-18.

3.18 Networking Information Menus

Use the networking menus to view and adjust communication settings for systems with remote RBUS devices such as a PIM or load shed kit, and for systems that use the Kohler OnCue® Plus Generator Management System.

RBUS is a proprietary RS-485 communications protocol.

The Networking Information menu leads to submenus for network and RBUS communication settings.

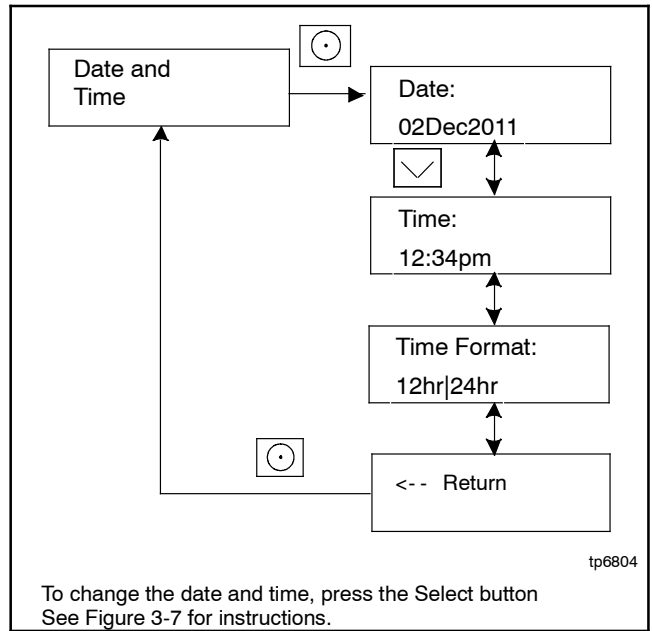


Figure 3-18 Date and Time Menu

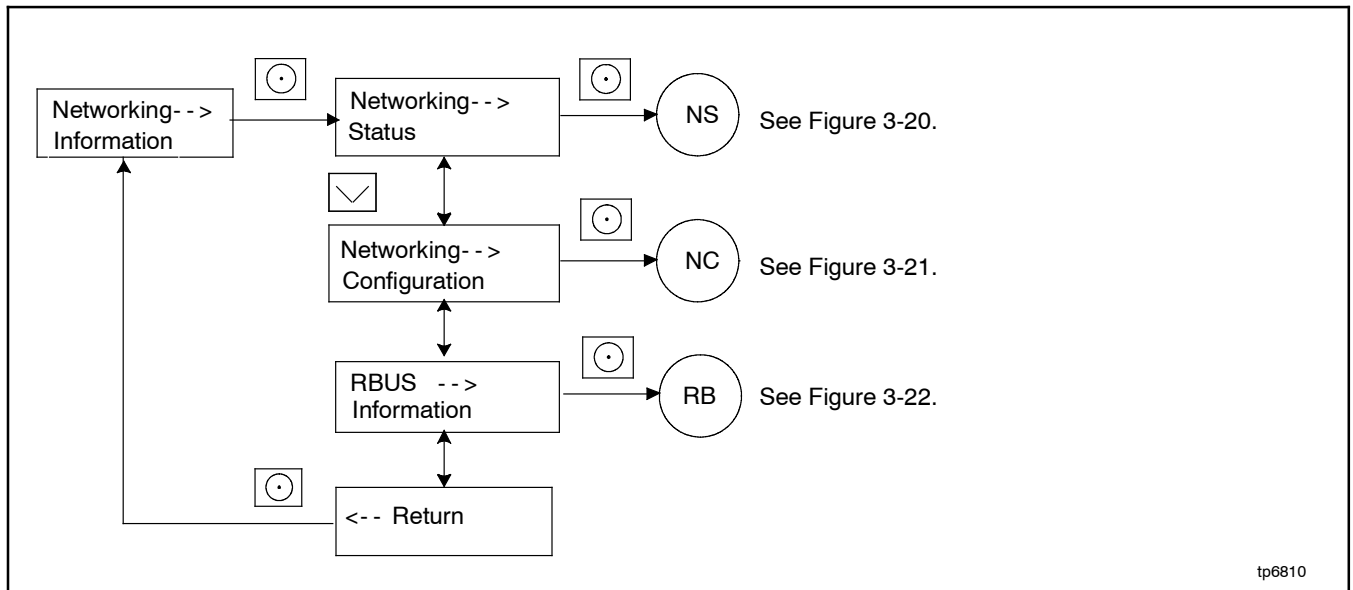


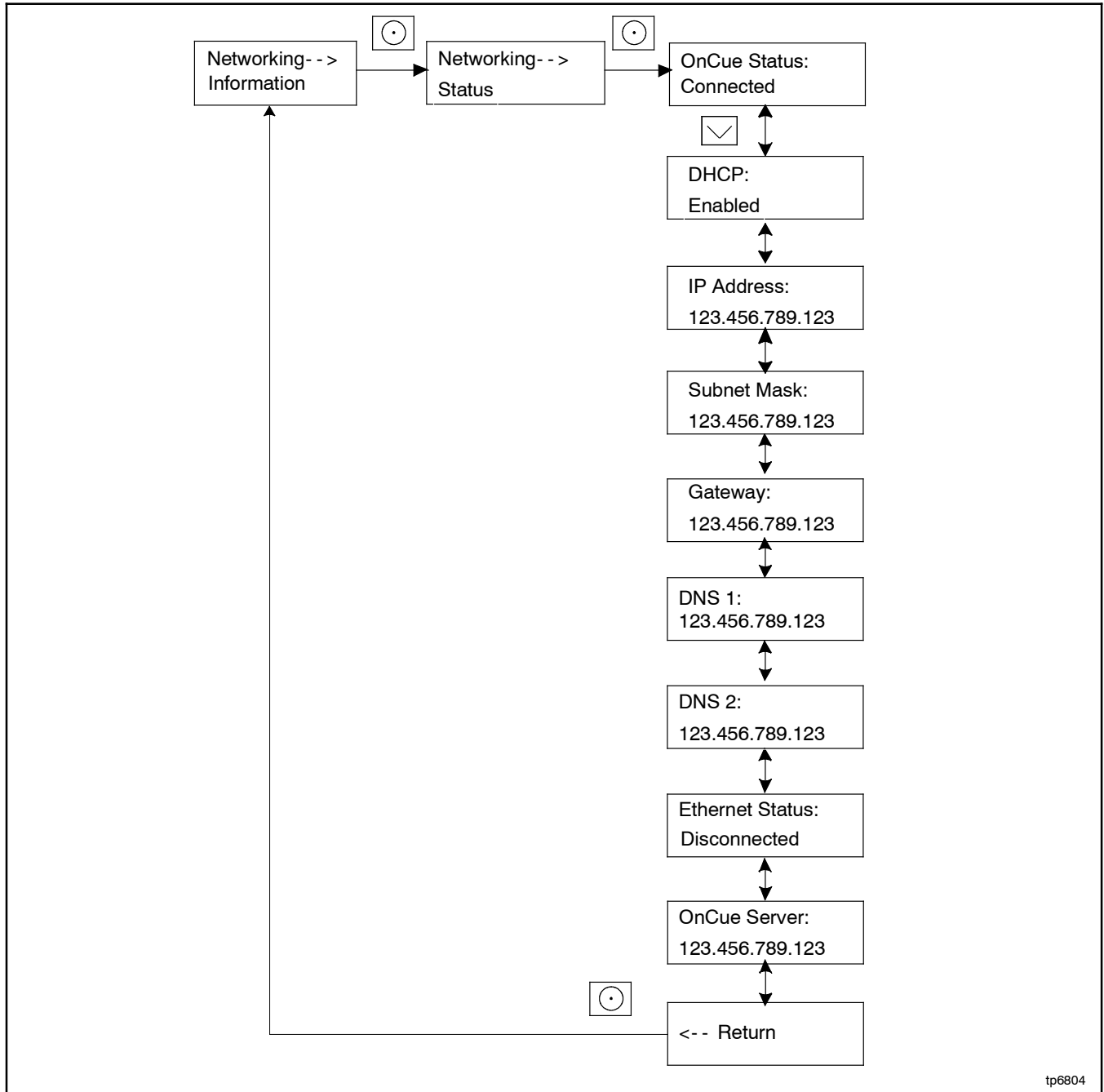
Figure 3-19 Networking Information Menu

3.18.1 Networking Status Submenu

The Networking Status submenu contains settings for OnCue®. Changes to these settings are not typically required.

If DHCP is enabled, IP parameters are not displayed. If DHCP is disabled (i.e., if a static IP address is used), the IP parameters are displayed.

To enable or disable DHCP and change the IP settings, go to the Networking Configuration menu. See Section 3.18.2.



tp6804

Figure 3-20 Network Status Submenu

3.18.2 Networking Configuration Submenu (OnCue Password)

The Networking Configuration menu includes settings used for communication with the Kohler OnCue® Plus Generator Management System.

Password

Note: Use the OnCue password shown on the controller display for OnCue or OnCue Plus applications.

For the initial OnCue Plus setup, you will be required to reset the OnCue password on the RDC2 controller, and then enter it into the OnCue Plus application. To reset the password, follow the instructions in Figure 3-21.

Note: The password is displayed for only 10 seconds. Be sure to write down the password and serial number.

A new password is generated each time the reset password procedure is performed. If the password is

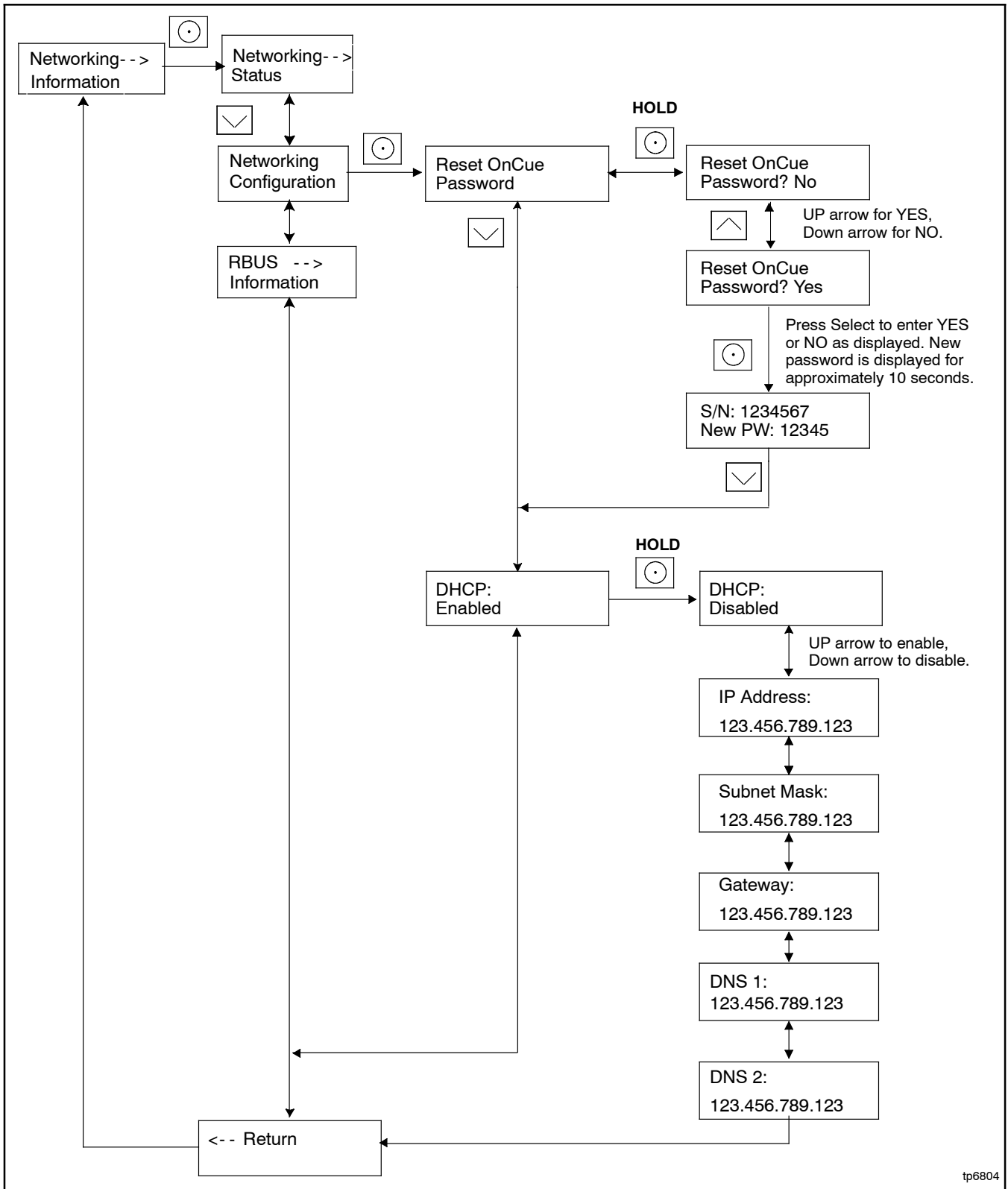
reset after the OnCue Plus system has been set up, the connection will be lost. Disconnect the battery power to the controller, wait a minute, then reconnect power.

DHCP Submenu

For most applications, the Dynamic Host Configuration Protocol (DHCP) is enabled and the IP settings cannot be changed from the controller keypad. If DHCP is enabled, IP parameters are not displayed.

If DHCP is disabled (i.e., if a static IP address is required), then the IP parameters can be modified. For applications that require a static IP address, press and hold the select button to enable editing, press the down arrow to disable DHCP, and then step to the next parameters and enter the information. See Figure 3-21.

If an error occurs while setting a parameter, an error message is displayed and then the controller exits the edit mode. Previous settings are preserved.



tp6804

Figure 3-21 Networking Configuration Submenu

3.18.3 RBUS Information

The RBUS Information menu contains settings for remote modules that communicate with the RDC2 controller using RBUS protocol. This includes the following optional modules:

- Model RXT transfer switch
- Combined interface/load management board on the RXT transfer switch
- Programmable Interface Module (PIM)
- Load shed kit
- PowerSync® Automatic Paralleling Module (APM)

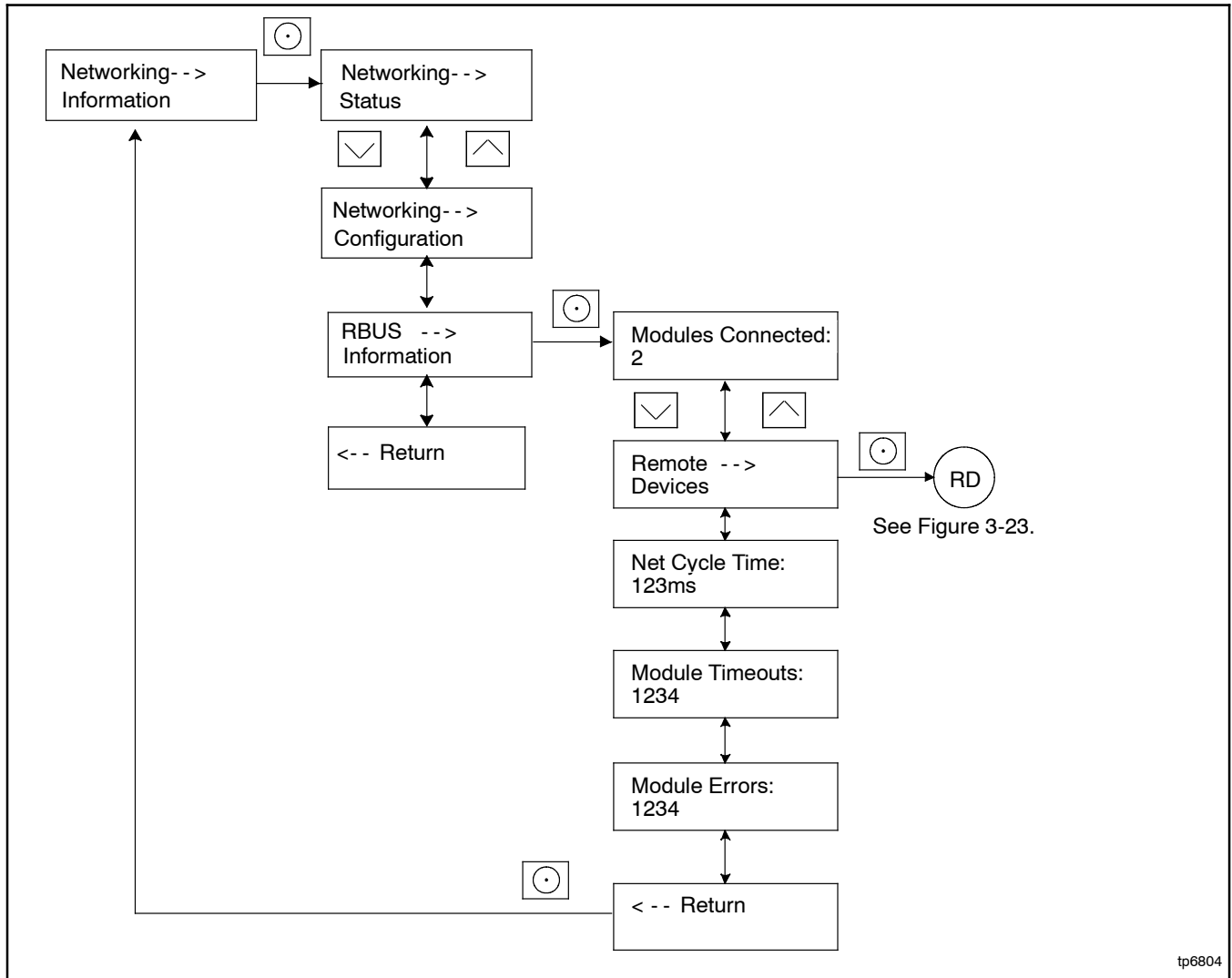


Figure 3-22 RBUS Information Submenu

tp6804

3.18.4 Remote Devices Submenu

Check the status of remote devices communicating through RBUS. Device types can include:

- Model RXT ATS
- Programmable Interface Module (PIM)
- Load shed kit or combined interface/load management board on a Model RXT transfer switch
- PowerSync® Automatic Paralleling Module (APM)

The serial number for the RBUS module is shown on the circuit board inside the module enclosure.

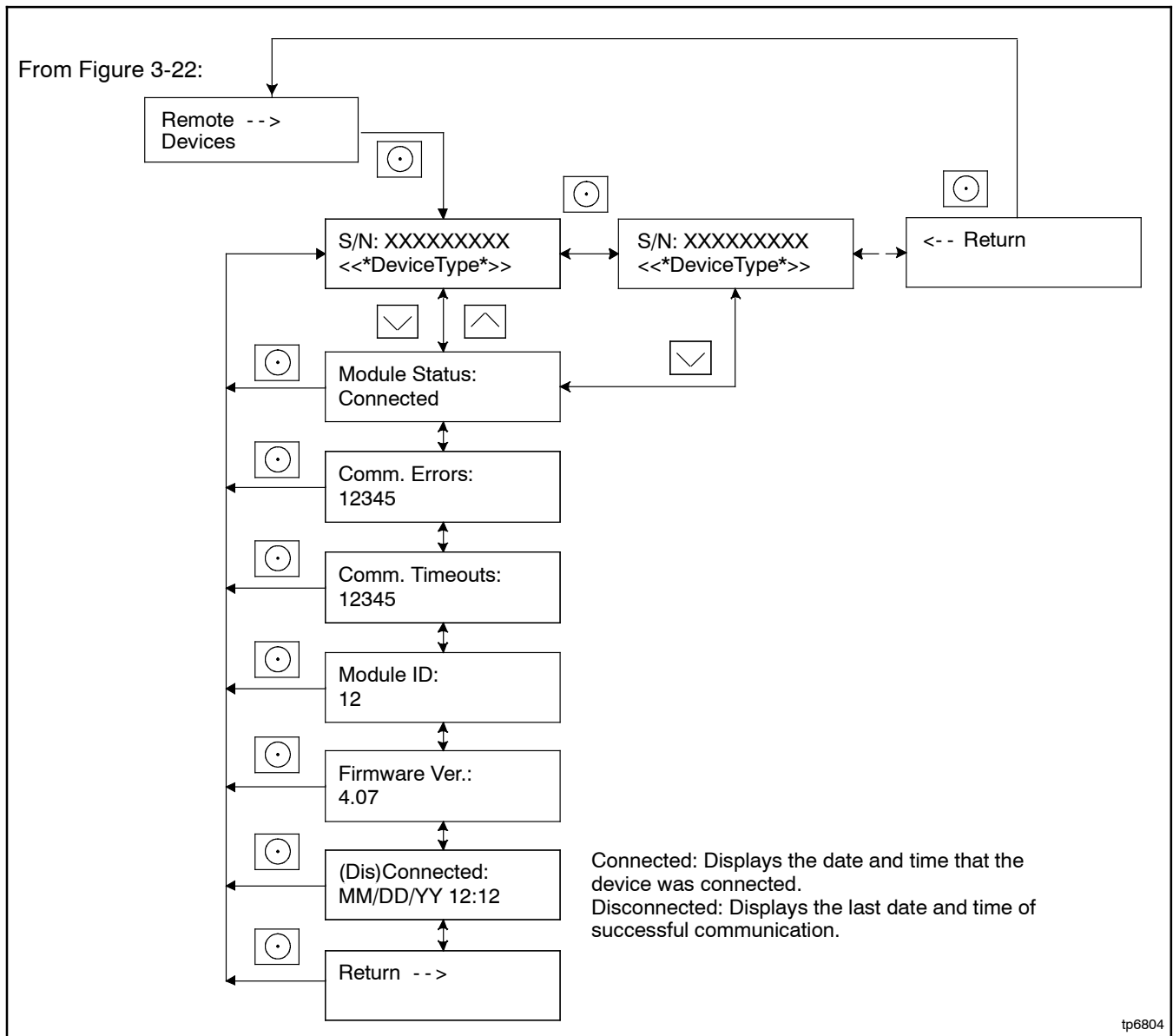


Figure 3-23 Remote Devices Submenu

3.19 Programmable Interface Module (PIM) Status Menu

The PIM status menu displays the status of inputs and outputs connected to the programmable interface module (PIM). This menu appears only if a PIM is connected. This is a status display menu only. Input and output settings cannot be changed from the RDC2 controller's user interface.

A personal computer running Kohler SiteTech™ software is required to change the input and output settings. Contact an authorized distributor or dealer for service.

The Kohler® OnCue® Plus Generator Management System can be used to turn outputs on and off. See the OnCue Plus Operation Manual for instructions.

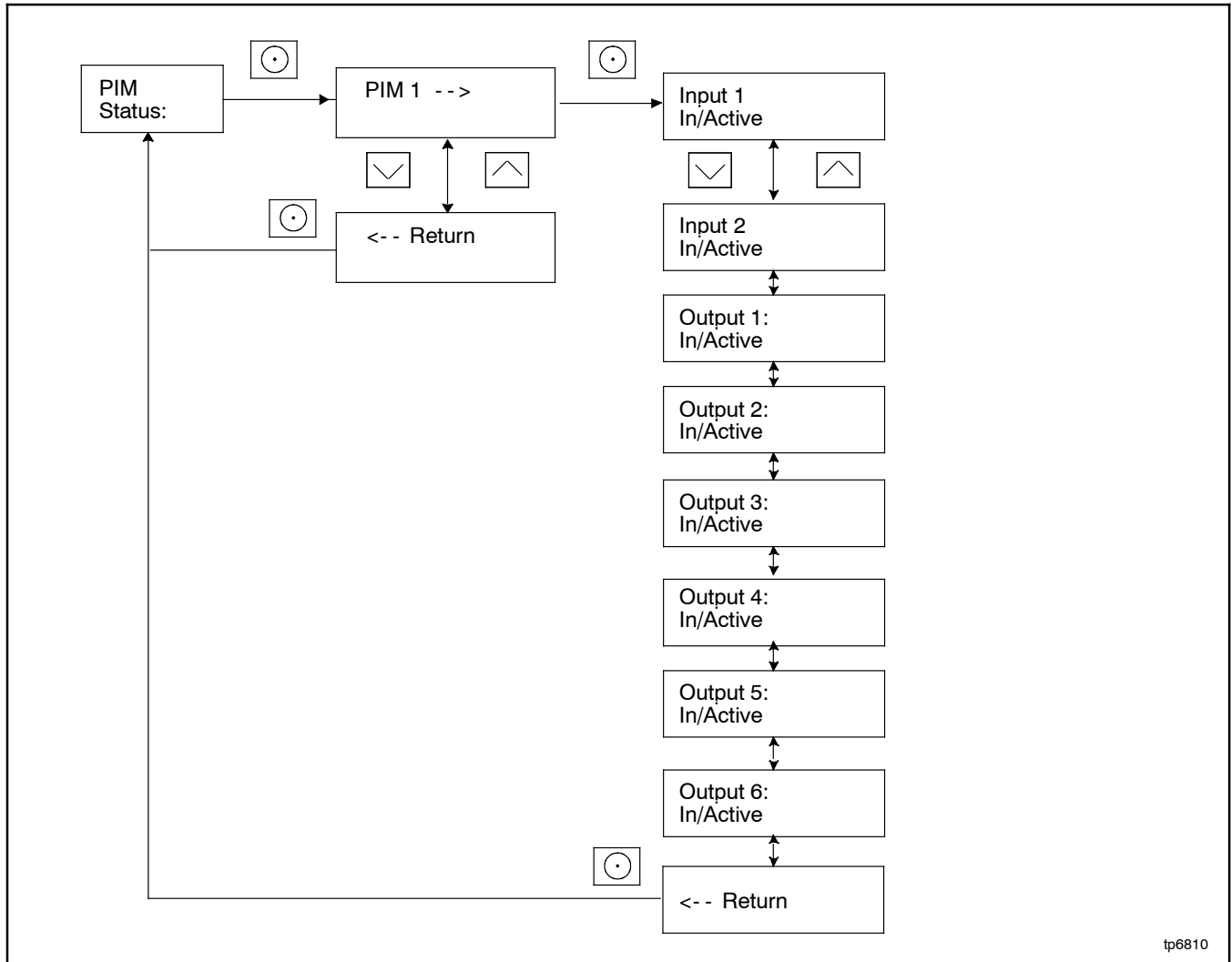


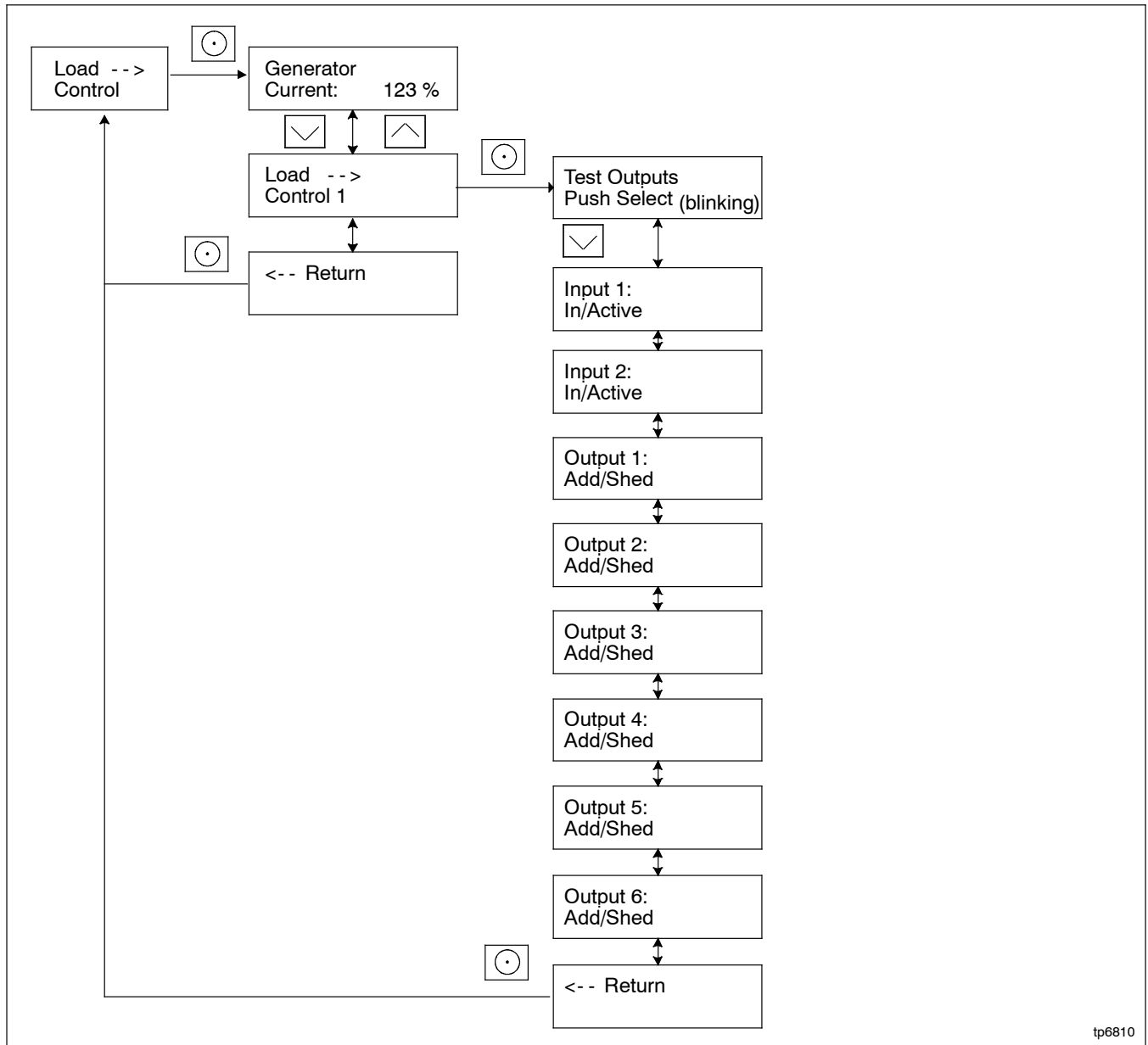
Figure 3-24 Programmable Interface Module (PIM) Status Menu

3.20 Load Control Menus

The Load Control menu displays the status of the load management device inputs and outputs, and allows a test of the load control output relays. This menu appears only if a load management device (load shed kit or Model RXT transfer switch with the combined interface/load management board) is connected.

Generator current is displayed as a percent of the maximum generator capacity. The load control module adds and sheds loads based on the generator current.

The test function cycles the relays in the order of their priority. For detailed information, refer to the instructions provided with the load shed kit. For the RXT combined interface/load management board, refer to the RXT automatic transfer switch Operation and Installation Manual.



tp6810

Figure 3-25 Load Control Status Menu

3.21 Event Log

The event log displays up to 1000 controller faults and notices, starting with the most recent event. Events are numbered 1- 1000, with 1 being the most recent. Each event is displayed with the date and time of the event, the number of the event, a code to indicate whether the event was a warning (W), shutdown (S), or informational notice (I), the engine hours at the time of the event, and the event description.

The time and date for notices (I) are not stored in the controller.

Procedure to View Event History

1. Press Select to enter the main menu.
2. Press the down arrow to step down to the event log.
3. Press Select to display the most recent event.
4. Press the down arrow to step to the next event.
5. Use the up and down arrow buttons to view events.
6. Press the Select button to exit the event log.

To stop viewing the event history before the last event, press the select button to return to the main menu.

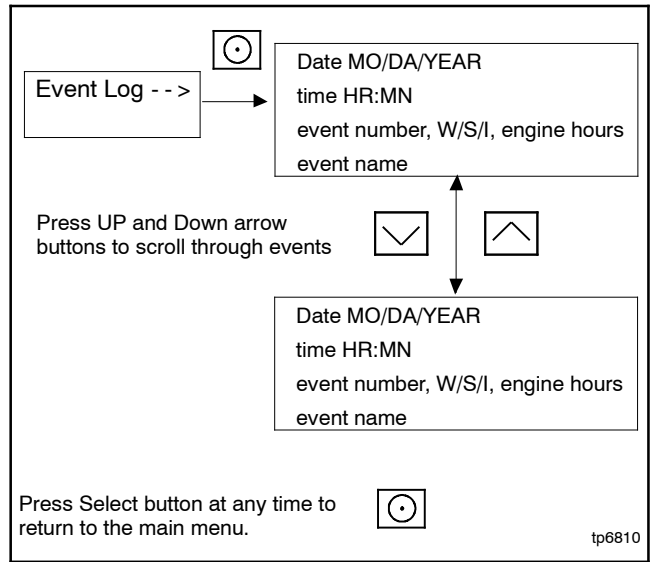
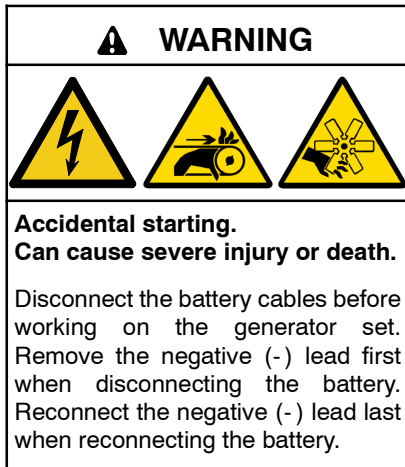
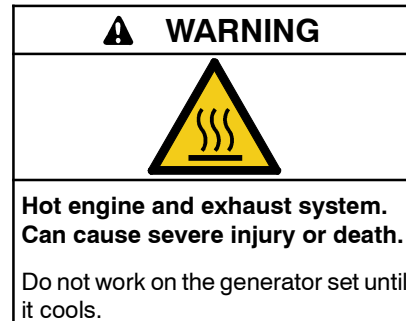
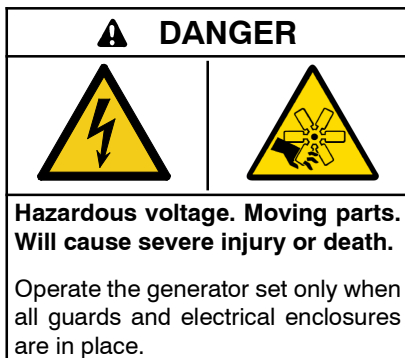


Figure 3-26 Event Log

Section 4 Scheduled Maintenance



Disabling the generator set. Accidental starting can cause severe injury or death. Before working on the generator set or equipment connected to the set, disable the generator set as follows: (1) Press the generator set off/reset button to shut down the generator set. (2) Disconnect the power to the battery charger, if equipped. (3) Remove the battery cables, negative (-) lead first. Reconnect the negative (-) lead last when reconnecting the battery. Follow these precautions to prevent the starting of the generator set by the remote start/stop switch.



Servicing the exhaust system. Hot parts can cause severe injury or death. Do not touch hot engine parts. The engine and exhaust system components become extremely hot during operation.

4.1 Scheduled Maintenance

Refer to the following service schedules and the runtime hours displayed on the controller to schedule routine maintenance. Intervals are shown in hours of operation and/or time intervals (i.e. weekly, monthly, quarterly, etc.) Have an authorized distributor/dealer service the generator set at the designated intervals in the service schedule for the life of the generator set. Service units subject to extreme weather, long operating hours, or dusty or dirty conditions more frequently.

Contact an authorized distributor/dealer for parts.

4.1.1 Service Schedule, 14 kW Models

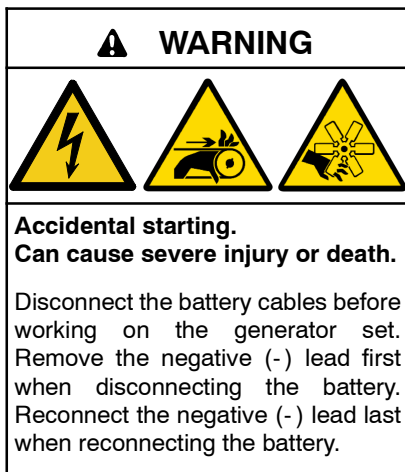
| System Component or Procedure | See Section | Procedure | | | | | Frequency | |
|---|-------------|------------------|------------------------------------|--------|-------|------|-----------------------|--|
| | | Visually Inspect | Check | Change | Clean | Test | | |
| Fuel | | | | | | | | |
| Flexible lines and connections | | X | | R | | | Quarterly | |
| Main tank supply level | | | X | | | | Weekly | |
| Fuel piping | | X | | | | | Yearly | |
| Lubrication | | | | | | | | |
| | 4.2 | | | | | | | |
| Oil level | | X | X | | | | 8 hours or before use | |
| Crankcase breather hose | | X | | | | | Yearly or 500 hours | |
| Change oil | | | | X | | | Yearly or 100 hours | |
| Replace filter | | | | X | | | Yearly or 200 hours | |
| Cooling | | | | | | | | |
| | 4.5 | | | | | | | |
| Air ducts, louvers | | | X | | X | | Yearly | |
| Exhaust Line | | | | | | | | |
| | 4.6 | | | | | | | |
| Leakage | | X | X | | | | Weekly | |
| Insulation, fire hazards | | X | | | | | Yearly | |
| Obstructions or combustible materials near exhaust outlet | | X | | | | | Weekly | |
| DC Electrical System | | | | | | | | |
| | 4.8 | | | | | | | |
| Check battery charger operation, charge rate | | X | | | | | Monthly | |
| Remove corrosion, clean and dry battery and rack | | X | | | X | | Yearly | |
| Clean and tighten battery terminals and inspect boots | | X | X | | | | Yearly | |
| Battery electrolyte level and specific gravity * | | | X | | | | Yearly | |
| AC Electrical System | | | | | | | | |
| | | | | | | | | |
| Tighten control and power wiring connections | | | X | | | | Yearly | |
| Remote control system, if equipped | | | | | | X | Monthly | |
| Visible wear or damage | | X | | | | | Quarterly | |
| Wire abrasions where subject to motion | | X | X | | | | Six Months | |
| Wire-cable insulation condition | | X | | | | | 3 Years or 500 hours | |
| Engine and Mounting | | | | | | | | |
| | | | | | | | | |
| Visible wear or damage | | X | | | | | Weekly | |
| Air cleaner service † | 4.4 | | 150 | 300 | | | | |
| Spark plugs | 4.3 | | | X | | | Yearly or 300 hours | |
| Replace stepper motor coupling and bushing | | | | D | | | 500 hours | |
| Generator | | | | | | | | |
| | | | | | | | | |
| Visible wear or damage | | X | | | | | Quarterly | |
| Exercise generator set | | | | | | X | Weekly | |
| Brushes and collector ring | | D | | | D | | Yearly or 300 hours | |
| Measure and record resistance readings of windings with insulation tester (Megger®, with SCR assembly or rectifier and load leads disconnected) * | | | | | | D | 3 Years | |
| General Condition of Equipment | | | | | | | | |
| | | | | | | | | |
| Evidence of vibration, leakage, excessive noise, temperature, or deterioration | | X | X | | X | | Weekly | |
| Interior of sound enclosure | | X | | | X | | Quarterly | |
| * Not necessary for maintenance-free batteries. | | X | Action | | | | | |
| † Service more frequently under extremely dusty/dirty conditions. | | D | Authorized distributor/dealer only | | | | | |
| Megger® is a registered trademark of Biddle Instruments. | | R | Replace as necessary | | | | | |

4.1.2 Service Schedule, 20 kW Models

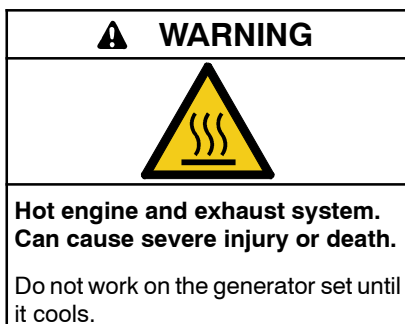
| System Component or Procedure | See Section | Procedure | | | | | Frequency |
|---|-------------|------------------|-------|--------------------------------------|-------|------|----------------------------|
| | | Visually Inspect | Check | Change | Clean | Test | |
| Fuel | | | | | | | |
| Flexible lines and connections | | X | | R | | | Quarterly |
| Main tank supply level | | | X | | | | Weekly |
| Fuel piping | | X | | | | | Yearly |
| Fuel regulator vent tubes, if equipped | | X | | | X | | Yearly |
| Lubrication | | | | | | | |
| Oil level | 4.2 | | X | | | | 8 hours or before each use |
| Change oil | | | | X | | | Yearly or 150 hours |
| Replace filter | | | | X | | | Yearly or 150 hours |
| Crankcase breather hose | | X | | | | | Yearly or 500 hours |
| Oil cooler | | X | | | X | | Yearly or 150 hours |
| Cooling | | | | | | | |
| Air ducts, louvers | 4.5 | | X | | X | | Yearly |
| Exhaust System | | | | | | | |
| Leakage | 4.6 | X | X | | | | Weekly |
| Insulation, fire hazards | | X | | | | | Yearly |
| Obstructions or combustible materials near exhaust outlet | | X | | | | | Weekly |
| DC Electrical System | | | | | | | |
| Check battery charger operation, charge rate | 4.8 | X | | | | | Monthly |
| Remove corrosion, clean and dry battery and rack | | X | | | X | | Yearly |
| Clean and tighten battery terminals and inspect boots | | X | X | | | | Yearly |
| Battery electrolyte level and specific gravity * | | | X | | | | Yearly |
| AC Electrical System | | | | | | | |
| Tighten control and power wiring connections | | | X | | | | Yearly |
| Remote control system, if equipped | | | | | | X | Monthly |
| Visible wear or damage | | X | | | | | Quarterly |
| Wire abrasions where subject to motion | | X | X | | | | Six Months |
| Wire-cable insulation condition | | X | | | | | 3 Years or 500 hours |
| Engine and Mounting | | | | | | | |
| Visible wear or damage | | X | | | | | Weekly |
| Air cleaner service † | 4.4 | | 150 | 300 | | | Yearly or hours shown |
| Spark plugs | 4.3 | | 150 | 300 | | | Yearly or hours shown |
| Replace stepper motor coupling and bushing | | | | D | | | 500 hours |
| Generator | | | | | | | |
| Visible wear or damage | | X | | | | | Quarterly |
| Exercise generator set | | | | | | W | Weekly |
| Brushes and collector ring | | D | | | D | | Yearly or 300 hours |
| Measure and record resistance readings of windings with insulation tester (Megger®, with SCR assembly or rectifier and load leads disconnected) | | | | | | D | 3 Years |
| General Condition of Equipment | | | | | | | |
| Evidence of vibration, leakage, deterioration, unusual or excessive noise or temperature | | X | X | | X | | Weekly |
| Interior of sound enclosure | | X | | | X | | Quarterly |
| * Not necessary for maintenance-free batteries. | | | | X Action | | | |
| † Service more frequently under extremely dusty/dirty conditions. | | | | D Authorized distributor/dealer only | | | |
| Megger® is a registered trademark of Biddle Instruments. | | | | R Replace as necessary | | | |

4.2 Lubrication System

See the service schedules in Section 4.1 for oil change and oil filter replacement intervals. See the service views in Section 1.9 for the oil drain, oil check, oil fill, and oil filter locations.



Disabling the generator set. Accidental starting can cause severe injury or death. Before working on the generator set or equipment connected to the set, disable the generator set as follows: (1) Press the generator set off/reset button to shut down the generator set. (2) Disconnect the power to the battery charger, if equipped. (3) Remove the battery cables, negative (-) lead first. Reconnect the negative (-) lead last when reconnecting the battery. Follow these precautions to prevent the starting of the generator set by the remote start/stop switch.



4.2.1 Low Oil Pressure Shutdown

The low oil pressure (LOP) shutdown feature protects the engine against internal damage if the oil pressure drops below a minimum pressure because of oil pump failure or other malfunction.

Note: The LOP shutdown feature does not protect against damage caused by operating when the oil level is low; it is not a low oil level shutdown. Check the oil level regularly, and add oil as needed.

4.2.2 Oil Check

The generator set is shipped with oil. Before operating the generator set, check the engine oil in the crankcase.

To check the oil level, shut down the generator set and wait several minutes. Remove the dipstick and wipe the end clean, reinsert, and remove. See Figure 4-1. Maintain the oil level between the Add and Full marks on the dipstick. Add 5W-30 or 10W-30 synthetic oil when the oil level is low.

Check the oil level before each use. For extended operation, check the oil level every 8 hours. Do not check the oil level when the generator set is running.

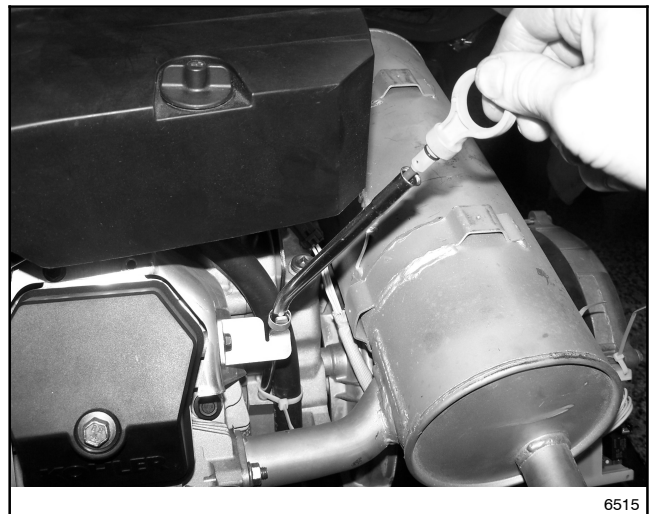


Figure 4-1 Oil Check (typical)

4.2.3 Engine Oil Recommendation

Use 5W-30 or 10W-30 API (American Petroleum Institute) Service Class SG, SH, or SJ synthetic oil. Synthetic oil oxidizes and thickens less than other oils and leaves the engine intake valves and pistons cleaner.

Note: Kohler recommends using genuine Kohler synthetic oil.

4.2.4 Oil Change Procedure

Note: Dispose of all waste materials (engine oil, fuel, filter, etc.) in an environmentally safe manner.

Drain the oil while it is still warm.

1. Drain the oil.

- a. Press the OFF button on the generator set controller.
- b. Disconnect the utility power to the generator set.
- c. Disconnect the generator set engine starting battery, negative (-) lead first.
- d. Remove the housing side panel.
- e. Clean the area around the dipstick and oil fill cap.
- f. Remove the oil drain hose from its retaining clip. Remove the cap from the oil drain hose and lower the hose into an oil collection container.
- g. Open the oil drain valve on the engine.
- h. Remove the dipstick and oil fill cap. Allow time for the engine oil to drain completely.
- i. Close the oil drain valve. Replace the cap on the oil drain hose. Replace the oil drain hose in its retaining clip.
- j. Replace the dipstick.

2. Replace the oil filter.

- a. Clean the area around the oil filter. Remove the oil filter by rotating it counterclockwise with an oil filter wrench.
- b. Clean the gasket sealing surface of the oil filter adapter.
- c. Apply a light coat of clean oil to the rubber seal of the new oil filter.
- d. Install the new oil filter following the instructions provided with the filter.

3. Fill with oil.

Note: When the oil is drained, some oil remains in the engine. The amount of oil needed to refill the engine may be less than the capacity shown in Figure 4-2. Use the dipstick shown in Figure 4-1 to check the oil level during the fill. Do not fill past the full mark on the dipstick.

| Generator Set Model | Oil Capacity, L (qt.) |
|---------------------|-----------------------|
| 14 kW | 1.8 (1.9) |
| 20 kW | 1.9 (2.0) |

Figure 4-2 Engine Oil Capacity

- a. See Section 4.2.3 for the recommended oil type. Add oil through the oil fill port. Use the dipstick to check the oil level before starting to add the final quart of oil. Fill the engine to the F mark on the dipstick.
- b. Reinstall the dipstick and the oil fill cap.
- c. Reconnect the generator set engine starting battery, negative (-) lead last.
- d. Reconnect the utility power to the generator set.
- e. Press the RUN button on the generator set controller. The generator set will start.
- f. Run the generator set for a minute to allow the oil pressure to reach operating range.
- g. Stop the generator set, wait 1 minute, and then recheck the oil level. Add oil to bring the level up to the F mark on the dipstick.

4. Check for leaks.

- a. Check for oil leaks.
- b. Fix leaks and recheck the oil level.
- c. Reinstall the housing side panel.

5. Reset the maintenance timer on the controller.

4.2.5 Resetting the Maintenance Timer

1. From the Overview menu, step down to the Genset Run Time menu.
2. Press the Select button and then step down to the Next Maintenance screen.
3. Press the Select button.
4. Press the Up arrow button so that “Reset Maint Timer? Yes” is displayed.
5. Press the Select button. **After about two minutes**, the new maintenance interval and date are displayed.

4.2.6 Oil Cooler (20 kW models)

Inspect and clean the oil cooler at the intervals indicated in the service schedule. The oil cooler must be kept free of debris.

See Figure 4-3 for the oil cooler location. The oil cooler is located under the No. 2 cylinder shroud. Remove the top mounting screw and loosen the two side screws, then lift off the cylinder shroud.

Clean the outside of the oil cooler fins with a brush or with compressed air.

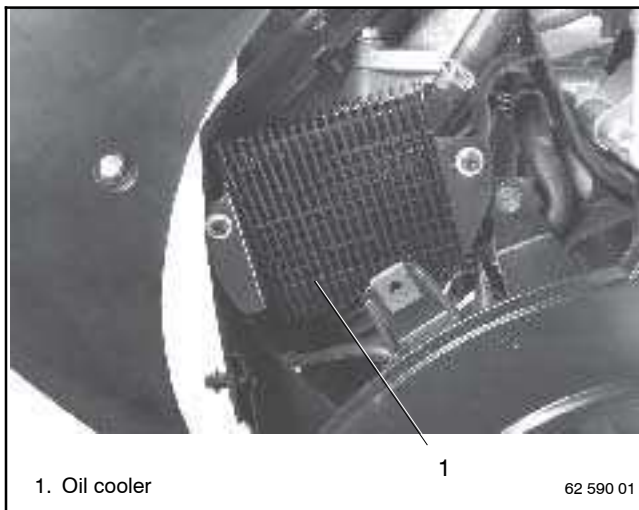


Figure 4-3 Oil Cooler Location

4.3 Spark Plugs

| |
|---|
| ⚠ WARNING |
| |
| Accidental starting. Can cause severe injury or death. |
| Disconnect the battery cables before working on the generator set. Remove the negative (-) lead first when disconnecting the battery. Reconnect the negative (-) lead last when reconnecting the battery. |

Disabling the generator set. Accidental starting can cause severe injury or death. Before working on the generator set or equipment connected to the set, disable the generator set as follows: (1) Press the generator set off/reset button to shut down the generator set. (2) Disconnect the power to the battery charger, if equipped. (3) Remove the battery cables, negative (-) lead first. Reconnect the negative (-) lead last when reconnecting the battery. Follow these precautions to prevent the starting of the generator set by the remote start/stop switch.

| |
|---|
| ⚠ WARNING |
| |
| Hot engine and exhaust system. Can cause severe injury or death. |
| Do not work on the generator set until it cools. |

Reset the spark plug gap or replace the plugs with new plugs as necessary.

1. Clean the area around the base of the spark plug to keep dirt and debris out of the engine.
2. Remove the spark plug and check its condition. Replace the spark plug if it is worn or if its reuse is questionable.

3. Check the spark plug gap using a wire feeler gauge. See Figure 4-4 for the recommended spark plug gap. Adjust the gap by carefully bending the ground electrode. See Figure 4-5 and Figure 4-6.
4. Reinstall the spark plug into the cylinder head. Torque the spark plug to 24.4-29.8 Nm (18-22 ft. lb.)

| Generator Set Model | Spark Plug Gap |
|---------------------|---------------------|
| 14 and 20 kW models | 0.76 mm (0.030 in.) |

Figure 4-4 Spark Plug Gap

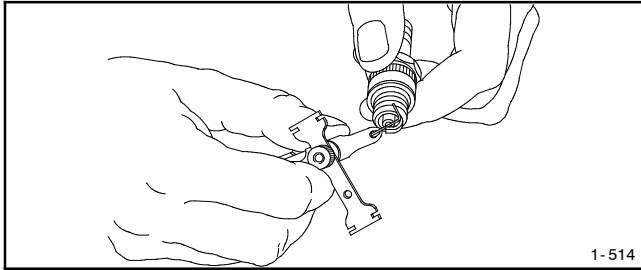


Figure 4-5 Checking the Spark Plug Gap

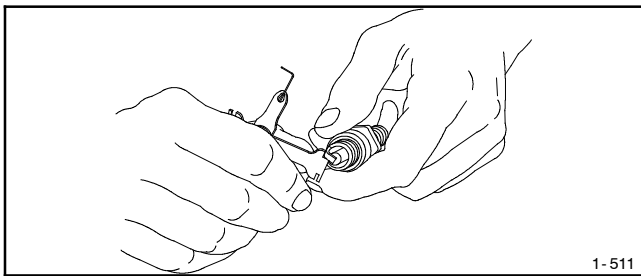


Figure 4-6 Adjusting the Spark Plug Gap

4.4 Air Cleaner Service

| |
|--|
| ⚠ WARNING |
| |
| Risk of fire. Can cause severe injury or death. |
| Do not smoke or permit flames or sparks near fuels or the fuel system. |

Servicing the air cleaner. A sudden backfire can cause severe injury or death. Do not operate the generator set with the air cleaner removed.

4.4.1 Air Cleaner, 14 kW Models

The engine has a replaceable high-density paper air cleaner element. See Figure 4-7.

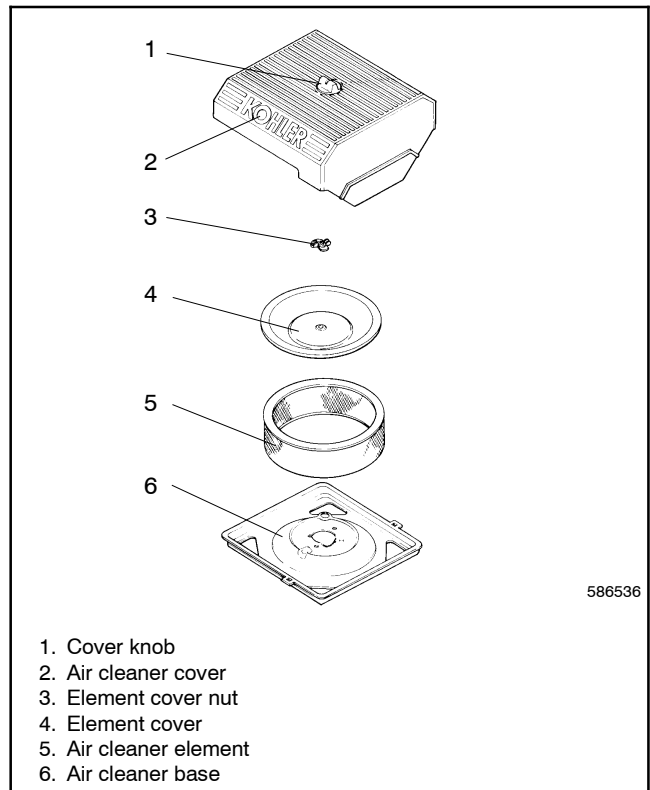


Figure 4-7 Air Cleaner Components

Check for a buildup of dirt and debris around the air cleaner system. Keep this area clean. Also check for loose or damaged components. Replace all bent or damaged air cleaner components.

Note: Operating the engine with loose or damaged air cleaner components could allow unfiltered air into the engine causing premature wear and failure.

Air Cleaner Service

Use the following procedure to replace the paper element at the intervals specified in the service schedule. Replace the paper element more often under extremely dusty or dirty conditions.

1. Press the OFF button on the generator set controller.
2. Disconnect the utility power to the generator set.
3. Disconnect the generator set engine starting battery, negative (-) lead first.
4. Loosen the cover retaining knob and remove the cover.
5. Remove the element cover nut, element cover, and the paper element.

Note: Do not wash the paper element or clean it with pressurized air, as this will damage the element.

6. Replace the element if it is dirty, bent, or damaged.
7. Check the air cleaner base. Make sure it is secure and not bent or damaged. Also check the element cover for damage and fit. Replace all damaged air cleaner components. Remove any loose dirt or debris from the air cleaner base. Wipe the base carefully so that no dirt drops into the intake throat. Check the condition of the rubber seal on the air cleaner stud and replace the seal if necessary.
8. Reinstall the paper element, element cover, element cover nut, and the air cleaner cover. Secure the cover with the cover retaining knob.
9. Reconnect the utility power to the generator set.
10. Reconnect the generator set engine starting battery, negative (-) lead last.

4.4.2 Air Cleaner, 20 kW Models

The engine is equipped with a replaceable, high density paper air cleaner element. See Figure 4-8.

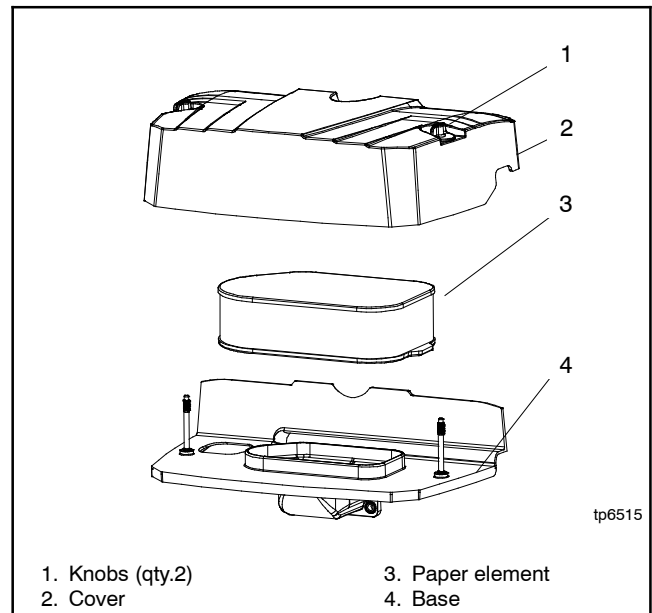


Figure 4-8 Air Cleaner Components

Check the air cleaner daily or before starting the engine. Check for a buildup of dirt and debris around the air cleaner system. Keep this area clean. Also check for loose or damaged components. Replace all bent or damaged air cleaner components.

Note: Operating the engine with loose or damaged air cleaner components could allow unfiltered air into the engine causing premature wear and failure.

Air Cleaner Service

Replace the paper element at the intervals indicated in the service schedule. See Section 4.1.2 for the service schedule. See Figure 4-8 for the air cleaner components.

1. Loosen the two cover retaining knobs and remove the cover.
2. Remove the paper element.
3. Do not wash the paper element or use pressurized air, as this will damage the element. Replace a dirty, bent, or damaged element. Handle new elements carefully; do not use if the sealing surfaces are bent or damaged.
4. When servicing the air cleaner, check the air cleaner base. Make sure it is secured and not bent or damaged. Also, check the element cover for damage or improper fit. Replace all damaged air cleaner components.

Note: If any loose dirt or debris fell on the air cleaner base when the element was removed, carefully remove it and wipe the base clean. Be careful that none of it drops into the intake throat.

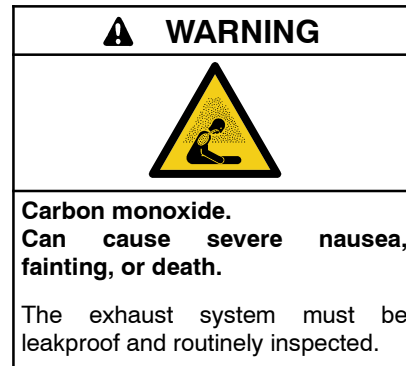
5. Reinstall the paper element onto the air cleaner base. Make sure the element is flat and properly seated.
6. Install the air cleaner cover and secure with the two retaining knobs.
7. When element replacement is necessary, order genuine Kohler parts.

4.5 Cooling System

The engine fan draws cooling air through the openings in the sides and end near the battery. The alternator fan draws cooling air through openings on the side walls of the enclosure. The cooling air mixes with the engine exhaust and is discharged at the exhaust outlet. See the service view in Section 1.9 for air intake and exhaust locations. To prevent generator set damage caused by overheating, keep the housing cooling inlets and outlets clean and unobstructed at all times.

Note: Do not block the generator set cooling air inlets or mount other equipment above them. Overheating and severe generator damage may occur.

4.6 Exhaust System



Remove all combustible materials from the exhaust location. Combustible materials include building materials as well as natural surroundings. Keep dry field grass, foliage, and combustible landscaping material a minimum of 1.2 m (4 ft.) from the exhaust outlet.

Periodically inspect the exhaust system components for cracks, leaks, and corrosion.

- Check for corroded or broken metal parts and replace them as needed.
- Check that the exhaust outlet is clear.

4.7 Fuel Regulator Vent Tubes

If the generator is equipped with the fuel regulator vent tubes shown in Figure 4-9, check that the tubes are not blocked. Clean out the tubes, if necessary.

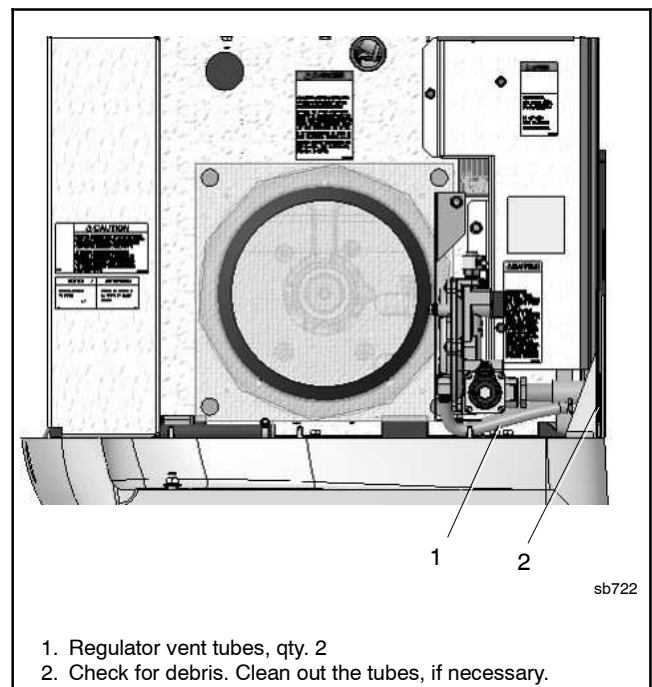
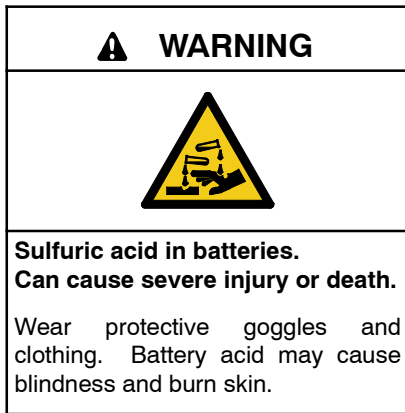


Figure 4-9 Fuel Regulator Vent Tubes (if equipped)

4.8 Battery



Battery electrolyte is a diluted sulfuric acid. Battery acid can cause severe injury or death. Battery acid can cause blindness and burn skin. Always wear splashproof safety goggles, rubber gloves, and boots when servicing the battery. Do not open a sealed battery or mutilate the battery case. If battery acid splashes in the eyes or on the skin, immediately flush the affected area for 15 minutes with large quantities of clean water. Seek immediate medical aid in the case of eye contact. Never add acid to a battery after placing the battery in service, as this may result in hazardous spattering of battery acid.

Battery acid cleanup. Battery acid can cause severe injury or death. Battery acid is electrically conductive and corrosive. Add 500 g (1 lb.) of bicarbonate of soda (baking soda) to a container with 4 L (1 gal.) of water and mix the neutralizing solution. Pour the neutralizing solution on the spilled battery acid and continue to add the neutralizing solution to the spilled battery acid until all evidence of a chemical reaction (foaming) has ceased. Flush the resulting liquid with water and dry the area.

Battery gases. Explosion can cause severe injury or death. Battery gases can cause an explosion. Do not smoke or permit flames or sparks to occur near a battery at any time, particularly when it is charging. Do not dispose of a battery in a fire. To prevent burns and sparks that could cause an explosion, avoid touching the battery terminals with tools or other metal objects. Remove all jewelry before servicing the equipment. Discharge static electricity from your body before touching batteries by first touching a grounded metal surface away from the battery. To avoid sparks, do not disturb the battery charger connections while the battery is charging. Always turn the battery charger off before disconnecting the battery connections. Ventilate the compartments containing batteries to prevent accumulation of explosive gases.

Battery short circuits. Explosion can cause severe injury or death. Short circuits can cause bodily injury and/or equipment damage. Disconnect the battery before generator set installation or maintenance. Remove all jewelry before servicing the equipment. Use tools with insulated handles. Remove the negative (-) lead first when disconnecting the battery. Reconnect the negative (-) lead last when reconnecting the battery. Never connect the negative (-) battery cable to the positive (+) connection terminal of the starter solenoid. Do not test the battery condition by shorting the terminals together.

Refer to this section for general battery information and maintenance. Also consult the battery manufacturer's instructions for battery maintenance.

All generator set models use a negative ground with a 12-volt engine electrical system. Consult the generator set nameplate for the engine electrical system voltage. Consult the generator spec sheet for battery size and capacity recommendations for replacement purposes. Wiring diagrams provide battery connection information. See Figure 4-10 for typical battery connections.

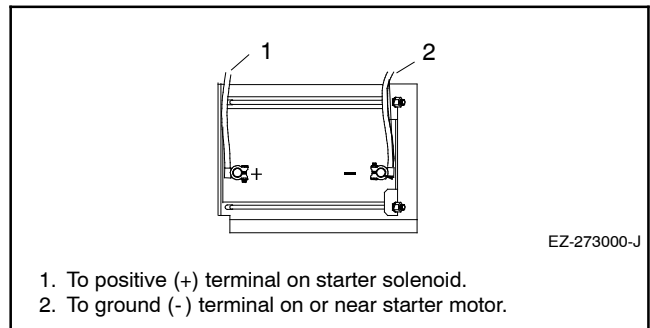


Figure 4-10 12-Volt Engine Electrical System Single Starter Motor, Typical Battery Connection

4.8.1 Cleaning the Battery

Clean the battery and cables and tighten battery terminals using the service schedule recommendations. To prevent corrosion, maintain tight, dry electrical connections at the battery terminals. To remove corrosion from battery terminals, disconnect the cables from the battery and scrub the terminals with a wire brush. Clean the battery and cables with a solution of baking soda and water. After cleaning, flush the battery and cables with clean water and wipe them with a dry, lint-free cloth.

After reconnecting the battery cables, coat the battery terminals with petroleum jelly, silicone grease, or other nonconductive grease.

4.8.2 Checking Electrolyte Level

Check the electrolyte level of batteries with filler caps monthly. Remove filler caps and verify that electrolyte level reaches bottom of filler holes. Refill as necessary with distilled water. DO NOT add fresh electrolyte. Tighten all filler caps. If water is added during freezing temperatures, run the generator set for 20-30 minutes to mix the electrolyte and water to prevent battery damage from freezing.

4.8.3 Checking Specific Gravity

Use a battery hydrometer to check the specific gravity of the electrolyte in each battery cell. While holding the hydrometer vertically, read the number on the glass bulb at the top of the electrolyte level or the number adjacent to the pointer. If the hydrometer used does not have a correction table, use the correction factors in Figure 4-13. Determine specific gravity and electrolyte temperature of battery cells. Locate temperature in Figure 4-13 and adjust the specific gravity by the amount shown.

The battery is fully charged if the specific gravity is 1.260 at an electrolyte temperature of 80°F (26.7°C). The difference between specific gravities of each cell should not exceed ±0.01. Charge the battery if the specific gravity is below 1.215 at an electrolyte temperature of 80°F (26.7°C). See Figure 4-11.

| Specific Gravity, Corrected to 80°F (26.7°C) | Battery Condition |
|--|-------------------|
| Below 1.215 | Needs charging |
| 1.260 | Fully charged |

Figure 4-11 Specific Gravity Interpretation

Some battery testers have four or five beads in the test tube. Draw electrolyte into the tube as performed with the battery hydrometer described previously. Use the manufacturer's instructions. Figure 4-12 interprets typical test results.

| Number of Floating Beads | Battery Condition |
|--------------------------|-------------------|
| 5 | Overcharged |
| 4 | Fully charged |
| 3 | Good charge |
| 1 or 2 | Low charge |
| 0 | Dead battery |

Figure 4-12 Bead-Type Test Interpretation

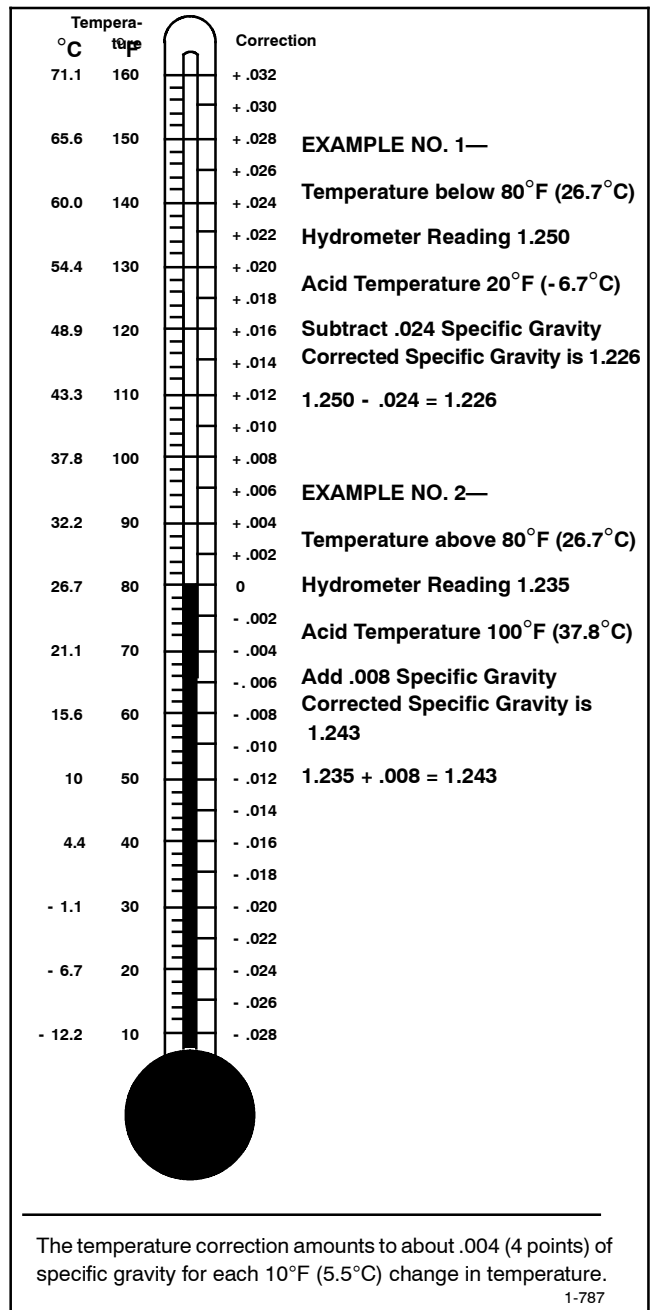


Figure 4-13 Specific Gravity Temperature Correction

4.9 Storage Procedure

Perform the following storage procedure before removing the generator set from service for three months or longer. Follow the engine manufacturer's recommendations for storage, if available.

Note: Run the generator set monthly whenever possible.

4.9.1 Lubricating System

1. Operate the generator set until it reaches operating temperature, or about 15 minutes.
2. Stop the generator set.
3. While the engine is still warm, drain the engine lubrication oil from the engine crankcase.
4. Refill engine crankcase with oil. See Section 4.2.3 for oil recommendations.
5. Run the generator set for a few minutes to distribute the clean oil.
6. Stop the generator set.

4.9.2 Fuel System

1. Start the generator set.
2. With the generator set running, shut off the gas supply.
3. Run the generator set until the engine stops.
4. Press the OFF button on the generator set controller.

4.9.3 Cylinder Lubrication

1. Remove the spark plugs.
2. Pour one tablespoon of engine oil into each spark plug hole. Install the spark plugs and *ground* the spark plug leads. *Do not connect the leads to the plugs.*
3. Crank the engine two or three revolutions to lubricate the cylinders.

4.9.4 Exterior Preparation

1. Clean the exterior surface of the generator set.
2. Seal all openings in the engine with nonabsorbent adhesive tape.
3. Mask all areas to be used for electrical contact.
4. Spread a light film of oil over unpainted metallic surfaces to prevent rust and corrosion.

4.9.5 Battery

Perform battery storage last.

1. Press the OFF button on the generator set controller.
2. Disconnect the battery, negative (-) lead first.
3. Clean the battery.
4. Place the battery in a warm, dry location.
5. Connect the battery to a float/equalize battery charger, or charge the battery monthly using a trickle charger. Follow the battery charger manufacturer's recommendations.

Section 5 Troubleshooting

5.1 Introduction

Use the troubleshooting charts in this section to diagnose and correct common problems. First check for simple causes such as a dead engine starting battery, loose connections, or an open circuit breaker. The charts include a list of common problems, possible causes of the problem, and recommended corrective actions.

If the procedures in this manual do not explain how to correct the problem, contact an authorized distributor/dealer. Maintain a record of repairs and adjustments performed on the equipment. Use the record to help describe the problem and repairs or adjustments made to equipment.

5.2 Fault Messages

The controller displays fault messages to aid in troubleshooting. Selected fault messages and recommended checks are listed in Figure 2-5.

Identify and correct the cause of the fault condition. Then reset the controller after a fault shutdown. See Section 2.6.4.

5.3 Circuit Protection

If the generator set circuit breaker trips repeatedly, contact an authorized distributor/ dealer for service.

5.3.1 Controller Internal Circuit Protection

The controller is equipped with internal circuit protection. A fault message, Accy PwrOver Warning or MainPwrOverL Shutdown, is displayed if this internal protection is activated. Press OFF to reset. Contact an authorized Kohler distributor/dealer for service.

5.3.2 Line Circuit Breaker

The line circuit breaker interrupts the generator output in the event of a fault in the wiring between the generator and the load. If the circuit breaker trips, reduce the load and switch the breaker back to the ON position.

5.4 USB Port and Auxiliary Winding Mini-Breaker

On original RDC2 controllers, the USB port and alternator winding mini circuit breaker are located in the service access area as shown in Figure 5-1.

Revised controllers have the USB port located under a small rubber cover as shown in Figure 5-2. The alternator winding circuit breaker is located as shown in Figure 5-3. If an original (green board) controller has been replaced with a revised (red board) controller, the circuit breaker may be located inside the controller trough, under the controller.

A personal computer (laptop) with Kohler® SiteTech™ software can be used to view the event history and adjust controller settings. Use a USB cable with a mini-B connector to connect the controller's USB port to your PC.

See TP-6701, SiteTech™ Software Operation Manual, for software operation instructions.

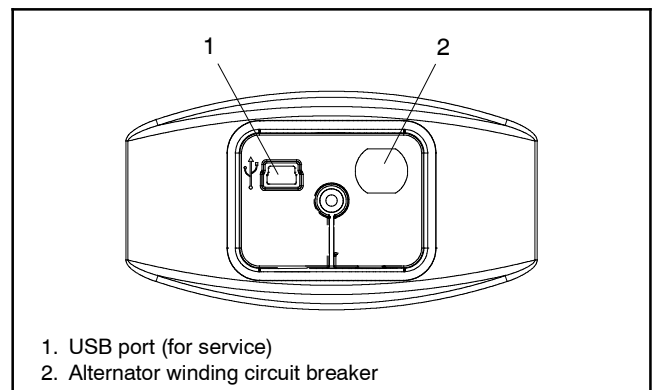


Figure 5-1 Controller Service Access (cover removed)

5.5 Stop Switches

The generator set may be equipped with an optional emergency stop switch or an engine shutdown switch. Verify that it is safe to start the generator set and apply power to the load before deactivating these switches. See Section 2.4.4.

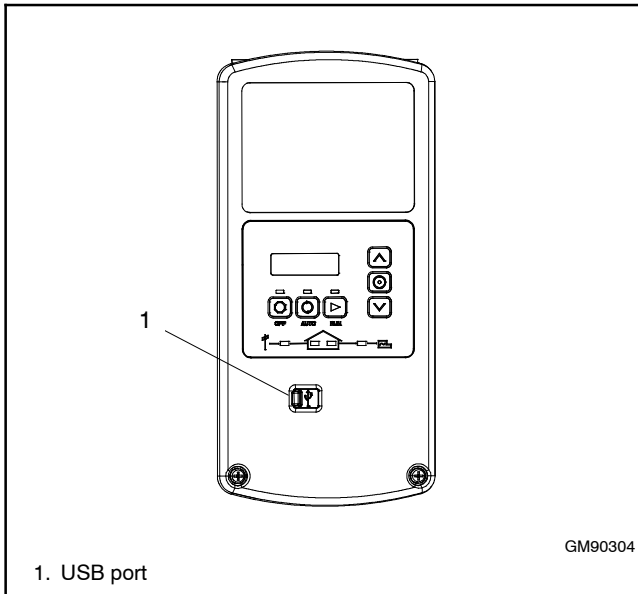


Figure 5-2 Revised Controller USB Port Location

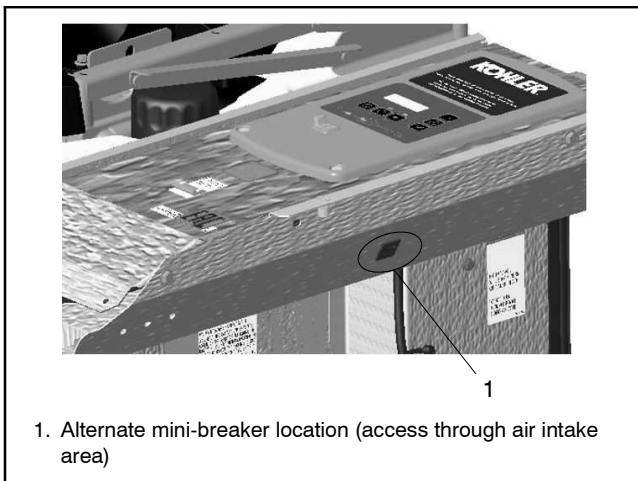


Figure 5-3 Auxiliary Winding Mini-Breaker Location

5.6 Thermostat

| |
|---|
| ⚠ WARNING |
| |
| <p>Accidental starting. Can cause severe injury or death.</p> <p>Disconnect the battery cables before working on the generator set. Remove the negative (-) lead first when disconnecting the battery. Reconnect the negative (-) lead last when reconnecting the battery.</p> |

Disabling the generator set. Accidental starting can cause severe injury or death. Before working on the generator set or equipment connected to the set, disable the generator set as follows: (1) Press the generator set off/reset button to shut down the generator set. (2) Disconnect the power to the battery charger, if equipped. (3) Remove the battery cables, negative (-) lead first. Reconnect the negative (-) lead last when reconnecting the battery. Follow these precautions to prevent the starting of the generator set by the remote start/stop switch.

| |
|--|
| ⚠ WARNING |
| |
| <p>Hot engine and exhaust system. Can cause severe injury or death.</p> <p>Do not work on the generator set until it cools.</p> |

Servicing the exhaust system. Hot parts can cause severe injury or death. Do not touch hot engine parts. The engine and exhaust system components become extremely hot during operation.

Model 20RESCand 20RESCL generator sets include a resettable thermostat. See Figure 5-4 for the thermostat location. The thermostat detects excess heat inside the enclosure. If the thermostat trips, the generator will shut down and the controller will display a fault (underspeed, underfrequency, or undervoltage). Check for blocked air inlets and exhaust outlets. Then follow these steps to reset the thermostat.

Procedure to Reset the Thermostat

1. Disconnect the utility power to the generator by opening (turning OFF) the corresponding circuit breaker at the building's distribution panel.
2. Disconnect the generator set engine starting battery(ies), negative (-) lead first.
3. Open the enclosure roof and secure it with the roof stay on the left side of the enclosure.
4. To gain access to the thermostat, remove the front enclosure panel. See Figure 5-4.
 - a. Remove one screw near the controller area.
 - b. From inside of the enclosure, remove four nuts that secure the front panel.
 - c. Lift the panel up and off.
5. Press the button on the thermostat to reset it.
6. Replace the front panel.
7. Reconnect the generator set engine starting battery, negative (-) lead last.
8. Reconnect utility power to the generator set by closing the circuit breaker in the distribution panel.

9. Reset the fault on the controller. Refer to Section 2.6 for instructions, if necessary.

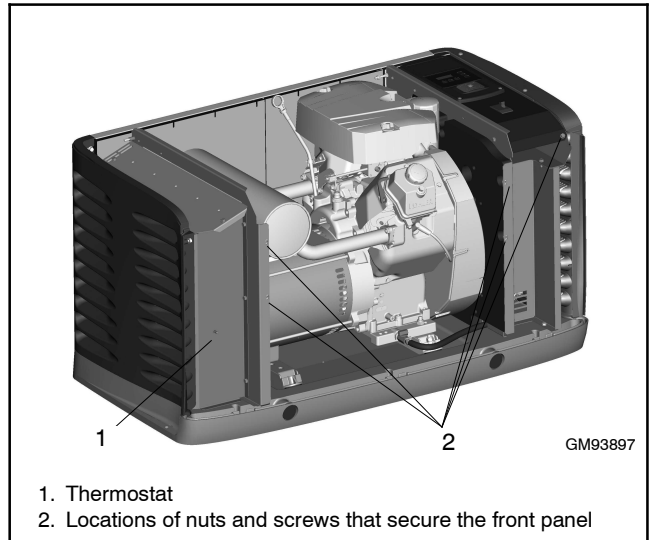


Figure 5-4 Thermostat Location, Model 20RESC/RESCL

5.7 Troubleshooting

Figure 5-5 contains generator set troubleshooting, diagnostic, and repair information. Check for loose connections before replacing parts.

| Troubleshooting Table | | |
|---|--|---|
| Problem | Possible Cause | Corrective Action |
| Controller display backlight is off. | Backlight turns off after about 1 minute with no activity. | Backlight will turn on when a button is pressed or the generator set starts. |
| Controller display is off. | Low or no battery voltage. | Check connections. Check generator set battery. See Figure 5-5. |
| The generator set does not crank. | Battery weak or dead. | Recharge or replace the battery. |
| | Battery connections reversed or poor. | Check the connections. |
| | Emergency stop switch or engine shutdown switch activated. | Verify that it is safe to start the engine and apply load. Then reset the stop switch or engine shutdown switch. |
| | Fault shutdown. | Check the controller display for fault messages. See Section 2.6. Correct the fault condition and reset the controller. |
| | Generator set in the OFF mode. | Press the RUN button to start the engine or press AUTO to allow remote starting. |
| The generator set cranks but does not start, starts hard, lacks power, or operates erratically. | Generator thermostat tripped. | Check for obstructed air inlets and outlets. Reset the thermostat. See Section 5.6. |
| | Air cleaner clogged. | Clean and/or replace the air cleaner. |
| | Battery weak or dead. | Recharge or replace the battery. |
| | Battery connection poor. | Clean and tighten the battery connections. |
| | Spark plug wire connection loose. | Check the spark plug wires. |
| | Low oil pressure shutdown. | Check for oil leaks. Check the oil level and add oil if necessary. |
| | Fuel pressure insufficient. | Check the fuel supply and valves. |
| Engine malfunction. | Contact an authorized distributor/dealer. | |

| Problem | Possible Cause | Corrective Action |
|--|--|--|
| No AC output. | Line circuit breaker in the OFF position. | Place the circuit breaker in the ON position. |
| | Line circuit breaker tripping because of overload. | Reduce the load on the generator set. |
| | Line circuit breaker tripping because of short circuit. | Contact an authorized distributor/dealer for service. |
| | Auxiliary winding circuit breaker tripped. | Reset the circuit breaker (located in controller's service access area). Contact an authorized distributor/dealer for service if breaker trips repeatedly. |
| Low output or excessive drop in voltage. | Generator set overloaded. | Reduce the load. |
| Generator set stops suddenly. | Low oil pressure shutdown. | Check for oil leaks. Check the oil level and add oil if necessary. |
| | No fuel. | Check fuel valves and fuel supply. Model 20RESC/20RESCL only: Check enclosure thermostat and reset if tripped. See Section 5.6. Check and clear air inlets and exhaust outlets. |
| | Overcrank shutdown. | Reset the controller. If the overcrank fault occurs again, contact an authorized distributor/dealer. |
| | Auxiliary winding circuit breaker tripped. | Reset the auxiliary winding circuit breaker. Contact an authorized distributor/dealer for service if breaker trips repeatedly. |
| | Emergency stop switch or engine shutdown switch activated. | Verify that it is safe to start the engine and apply load. Then reset the stop switch or engine shutdown switch. |
| | Fault shutdown. | Check the controller display for fault messages. See Section 2.6. Correct the fault condition and reset the controller. |
| | Generator set in the OFF mode. | Press the RUN button to start the engine or press AUTO to allow remote starting. |
| | Remote stop command received from a remote switch, ATS, or OnCue®Plus. | Check the remote switch position. Check OnCue®Plus. |
| | Generator thermostat tripped. | Check for obstructed air inlets and outlets. Reset the thermostat. See Section 5.6. |
| Engine malfunction. | Contact an authorized distributor/dealer. | |

Figure 5-5 General Troubleshooting

Appendix A Abbreviations

The following list contains abbreviations that may appear in this publication.

| | | | | | |
|-----------|--|-----------------------------|--|----------------------|--|
| A, amp | ampere | cfm | cubic feet per minute | exh. | exhaust |
| ABDC | after bottom dead center | CG | center of gravity | ext. | external |
| AC | alternating current | CID | cubic inch displacement | F | Fahrenheit, female |
| A/D | analog to digital | CL | centerline | FHM | flat head machine (screw) |
| ADC | advanced digital control; analog to digital converter | cm | centimeter | fl. oz. | fluid ounce |
| adj. | adjust, adjustment | CMOS | complementary metal oxide substrate (semiconductor) | flex. | flexible |
| ADV | advertising dimensional drawing | com | communications (port) | freq. | frequency |
| Ah | amp-hour | coml | commercial | FS | full scale |
| AHWT | anticipatory high water temperature | Coml/Rec | Commercial/Recreational connection | ft. | foot, feet |
| AISI | American Iron and Steel Institute | conn. | connection | ft. lb. | foot pounds (torque) |
| ALOP | anticipatory low oil pressure | cont. | continued | ft./min. | feet per minute |
| alt. | alternator | CPVC | chlorinated polyvinyl chloride | ftp | file transfer protocol |
| Al | aluminum | crit. | critical | g | gram |
| ANSI | American National Standards Institute (formerly American Standards Association, ASA) | CSA | Canadian Standards Association | ga. | gauge (meters, wire size) |
| AO | anticipatory only | CT | current transformer | gal. | gallon |
| APDC | Air Pollution Control District | Cu | copper | gen. | generator |
| API | American Petroleum Institute | cUL | Canadian Underwriter's Laboratories | genset | generator set |
| approx. | approximate, approximately | CUL | Canadian Underwriter's Laboratories | GFI | ground fault interrupter |
| APU | Auxiliary Power Unit | cu. in. | cubic inch | GND, ⊕ | ground |
| AQMD | Air Quality Management District | cw. | clockwise | gov. | governor |
| AR | as required, as requested | CWC | city water-cooled | gph | gallons per hour |
| AS | as supplied, as stated, as suggested | cyl. | cylinder | gpm | gallons per minute |
| ASE | American Society of Engineers | D/A | digital to analog | gr. | grade, gross |
| ASME | American Society of Mechanical Engineers | DAC | digital to analog converter | GRD | equipment ground |
| assy. | assembly | dB | decibel | gr. wt. | gross weight |
| ASTM | American Society for Testing Materials | dB(A) | decibel (A weighted) | H x W x D | height by width by depth |
| ATDC | after top dead center | DC | direct current | HC | hex cap |
| ATS | automatic transfer switch | DCR | direct current resistance | HCHT | high cylinder head temperature |
| auto. | automatic | deg., ° | degree | HD | heavy duty |
| aux. | auxiliary | dept. | department | HET | high exhaust temp., high engine temp. |
| avg. | average | dia. | diameter | hex | hexagon |
| AVR | automatic voltage regulator | DI/EO | dual inlet/end outlet | Hg | mercury (element) |
| AWG | American Wire Gauge | DIN | Deutsches Institut für Normung e. V. (also Deutsche Industrie Normenausschuss) | HH | hex head |
| AWM | appliance wiring material | DIP | dual inline package | HHC | hex head cap |
| bat. | battery | DPDT | double-pole, double-throw | HP | horsepower |
| BBDC | before bottom dead center | DPST | double-pole, single-throw | hr. | hour |
| BC | battery charger, battery charging | DS | disconnect switch | HS | heat shrink |
| BCA | battery charging alternator | DVR | digital voltage regulator | hsg. | housing |
| BCI | Battery Council International | E ² PROM, EEPROM | electrically-erasable programmable read-only memory | HVAC | heating, ventilation, and air conditioning |
| BDC | before dead center | E, emer. | emergency (power source) | HWT | high water temperature |
| BHP | brake horsepower | ECM | electronic control module, engine control module | Hz | hertz (cycles per second) |
| blk. | black (paint color), block (engine) | EDI | electronic data interchange | IBC | International Building Code |
| blk. htr. | block heater | EFR | emergency frequency relay | IC | integrated circuit |
| BMEP | brake mean effective pressure | e.g. | for example (<i>exempli gratia</i>) | ID | inside diameter, identification |
| bps | bits per second | EG | electronic governor | IEC | International Electrotechnical Commission |
| br. | brass | EGSA | Electrical Generating Systems Association | IEEE | Institute of Electrical and Electronics Engineers |
| BTDC | before top dead center | EIA | Electronic Industries Association | IMS | improved motor starting |
| Btu | British thermal unit | EI/EO | end inlet/end outlet | in. | inch |
| Btu/min. | British thermal units per minute | EMI | electromagnetic interference | in. H ₂ O | inches of water |
| C | Celsius, centigrade | emiss. | emission | in. Hg | inches of mercury |
| cal. | calorie | eng. | engine | in. lb. | inch pounds |
| CAN | controller area network | EPA | Environmental Protection Agency | Inc. | incorporated |
| CARB | California Air Resources Board | EPS | emergency power system | ind. | industrial |
| CAT5 | Category 5 (network cable) | ER | emergency relay | int. | internal |
| CB | circuit breaker | ES | engineering special, engineered special | int./ext. | internal/external |
| CC | crank cycle | ESD | electrostatic discharge | I/O | input/output |
| cc | cubic centimeter | est. | estimated | IP | internet protocol |
| CCA | cold cranking amps | E-Stop | emergency stop | ISO | International Organization for Standardization |
| ccw. | counterclockwise | etc. | et cetera (and so forth) | J | joule |
| CEC | Canadian Electrical Code | | | JIS | Japanese Industry Standard |
| cert. | certificate, certification, certified | | | k | kilo (1000) |
| cfh | cubic feet per hour | | | K | kelvin |
| | | | | kA | kiloampere |
| | | | | KB | kilobyte (2 ¹⁰ bytes) |
| | | | | kg | kilogram |

| | | | | | |
|----------------------|--|-----------|---|---------|---|
| kg/cm ² | kilograms per square centimeter | NC | normally closed | RTU | remote terminal unit |
| kgm | kilogram-meter | NEC | National Electrical Code | RTV | room temperature vulcanization |
| kg/m ³ | kilograms per cubic meter | NEMA | National Electrical Manufacturers Association | RW | read/write |
| kHz | kilohertz | NFPA | National Fire Protection Association | SAE | Society of Automotive Engineers |
| kJ | kilojoule | Nm | newton meter | scfm | standard cubic feet per minute |
| km | kilometer | NO | normally open | SCR | silicon controlled rectifier |
| kOhm, kΩ | kilo-ohm | no., nos. | number, numbers | s, sec. | second |
| kPa | kilopascal | NPS | National Pipe, Straight | SI | <i>Systeme international d'unites</i> , International System of Units |
| kph | kilometers per hour | NPSC | National Pipe, Straight-coupling | SI/EO | side in/end out |
| kV | kilovolt | NPT | National Standard taper pipe thread per general use | sil. | silencer |
| kVA | kilovolt ampere | NPTF | National Pipe, Taper-Fine | SMTP | simple mail transfer protocol |
| kVAR | kilovolt ampere reactive | NR | not required, normal relay | SN | serial number |
| kW | kilowatt | ns | nanosecond | SNMP | simple network management protocol |
| kWh | kilowatt-hour | OC | overcrank | SPDT | single-pole, double-throw |
| kWm | kilowatt mechanical | OD | outside diameter | SPST | single-pole, single-throw |
| kWth | kilowatt-thermal | OEM | original equipment manufacturer | spec | specification |
| L | liter | OF | overfrequency | specs | specification(s) |
| LAN | local area network | opt. | option, optional | sq. | square |
| L x W x H | length by width by height | OS | oversize, overspeed | sq. cm | square centimeter |
| lb. | pound, pounds | OSHA | Occupational Safety and Health Administration | sq. in. | square inch |
| lbm/ft ³ | pounds mass per cubic feet | OV | overvoltage | SMS | short message service |
| LCB | line circuit breaker | oz. | ounce | SS | stainless steel |
| LCD | liquid crystal display | p., pp. | page, pages | std. | standard |
| LED | light emitting diode | PC | personal computer | stl. | steel |
| Lph | liters per hour | PCB | printed circuit board | tach. | tachometer |
| Lpm | liters per minute | pF | picofarad | TB | terminal block |
| LOP | low oil pressure | PF | power factor | TCP | transmission control protocol |
| LP | liquefied petroleum | ph., ∅ | phase | TD | time delay |
| LPG | liquefied petroleum gas | PHC | Phillips® head CrimpTite® (screw) | TDC | top dead center |
| LS | left side | PHH | Phillips® hex head (screw) | TDEC | time delay engine cooldown |
| L _{wa} | sound power level, A weighted | PHM | pan head machine (screw) | TDEN | time delay emergency to normal |
| LWL | low water level | PLC | programmable logic control | TDES | time delay engine start |
| LWT | low water temperature | PLC | programmable logic control | TDNE | time delay normal to emergency |
| m | meter, milli (1/1000) | PMG | permanent magnet generator | TDOE | time delay off to emergency |
| M | mega (10 ⁶ when used with SI units), male | pot | potentiometer, potential | TDON | time delay off to normal |
| m ³ | cubic meter | ppm | parts per million | temp. | temperature |
| m ³ /hr. | cubic meters per hour | PROM | programmable read-only memory | term. | terminal |
| m ³ /min. | cubic meters per minute | psi | pounds per square inch | THD | total harmonic distortion |
| mA | milliampere | psig | pounds per square inch gauge | TIF | telephone influence factor |
| man. | manual | pt. | pint | tol. | tolerance |
| max. | maximum | PTC | positive temperature coefficient | turbo. | turbocharger |
| MB | megabyte (2 ²⁰ bytes) | PTO | power takeoff | typ. | typical (same in multiple locations) |
| MCCB | molded-case circuit breaker | PVC | polyvinyl chloride | UF | underfrequency |
| MCM | one thousand circular mils | qt. | quart, quarts | UHF | ultrahigh frequency |
| meggar | megohmmeter | qty. | quantity | UIF | user interface |
| MHz | megahertz | R | replacement (emergency) | UL | Underwriter's Laboratories, Inc. |
| mi. | mile | rad. | radiator, radius | UNC | unified coarse thread (was NC) |
| mil | one one-thousandth of an inch | RAM | random access memory | UNF | unified fine thread (was NF) |
| min. | minimum, minute | RBUS | RS-485 proprietary communications | univ. | universal |
| misc. | miscellaneous | RDO | relay driver output | URL | uniform resource locator (web address) |
| MJ | megajoule | ref. | reference | US | undersize, underspeed |
| mJ | millijoule | rem. | remote | UV | ultraviolet, undervoltage |
| mm | millimeter | Res/Coml | Residential/Commercial | V | volt |
| mOhm, mΩ | milliohm | RFI | radio frequency interference | VAC | volts alternating current |
| MOhm, MΩ | megohm | RH | round head | VAR | voltampere reactive |
| MOV | metal oxide varistor | RHM | round head machine (screw) | VDC | volts direct current |
| MPa | megapascal | rly. | relay | VFD | vacuum fluorescent display |
| mpg | miles per gallon | rms | root mean square | VGA | video graphics adapter |
| mph | miles per hour | rnd. | round | VHF | very high frequency |
| MS | military standard | RO | read only | W | watt |
| ms | millisecond | ROM | read only memory | WCR | withstand and closing rating |
| m/sec. | meters per second | rot. | rotate, rotating | w/ | with |
| mtg. | mounting | rpm | revolutions per minute | WO | write only |
| MTU | Motoren-und Turbinen-Union | RS | right side | w/o | without |
| MW | megawatt | RTDs | Resistance Temperature Detectors | wt. | weight |
| mW | milliwatt | | | xfrm | transformer |
| μF | microfarad | | | | |
| N, norm. | normal (power source) | | | | |
| NA | not available, not applicable | | | | |
| nat. gas | natural gas | | | | |
| NBS | National Bureau of Standards | | | | |

Appendix B DC2 Controller Operation

Note: Models 14RESAL, 20RESAL, and 20RESCL built before 2019 are equipped with the DC2 controller.

DC2 Generator Set/Transfer Switch Controller

The DC2 controls the following power system components:

- Model RESAL and RESCL generator set
- Model RXT Automatic Transfer Switch (ATS)
- Load Shed Kit
- Programmable Interface Module (PIM)

DC2 controller features include:

- Two-line x 16 character backlit digital display with adjustable contrast
- OFF, AUTO, RUN, and EXERCISE generator set control buttons

Controls and Indicators

Figure 5-6 illustrates the DC2 controller. See Figure 5-7 for details of the controller's user interface.

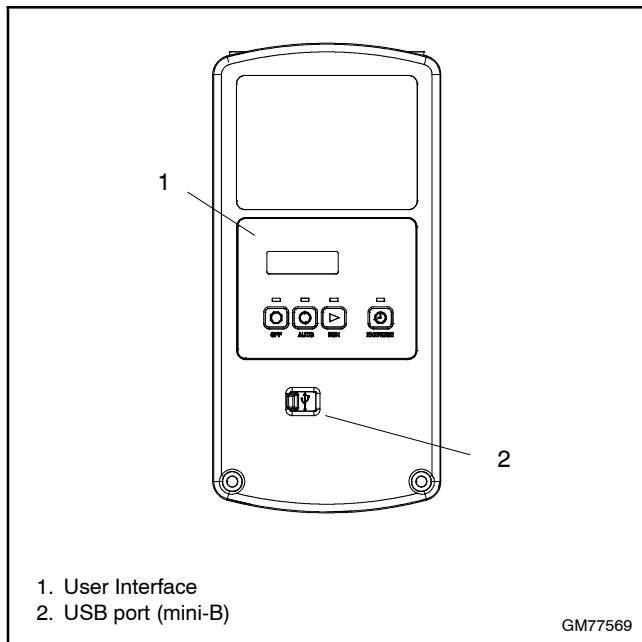


Figure 5-6 DC2 Controls and Indicators

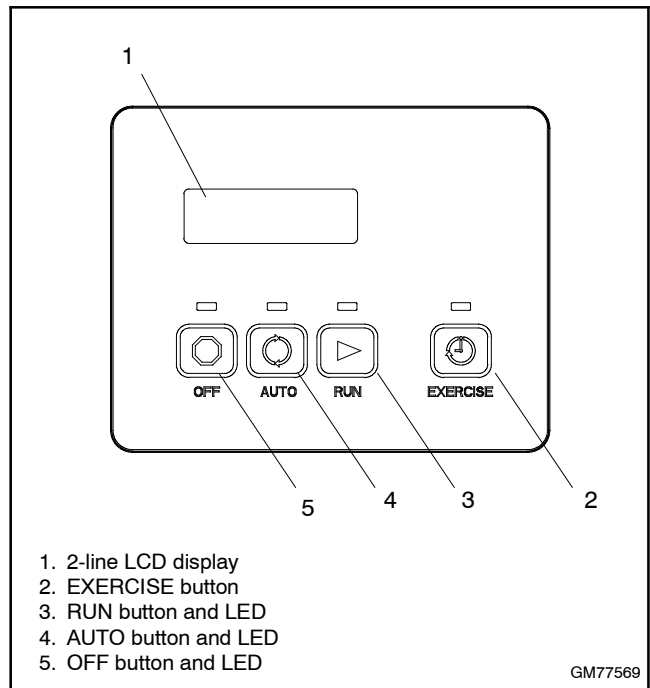


Figure 5-7 DC2 User Interface

Controller Keypad

Control Buttons

The RUN, OFF, and AUTO buttons control the generator set as described in Figure 5-8.

Use the EXERCISE button to set the exerciser on the DC2 controller.

Note: A personal computer (laptop) with Kohler® SiteTech™ software is required for changing settings on the DC2 controller.

| Button | Button Function |
|----------|--|
| RUN | Press to start the generator set. The engine start time delay is ignored. The software version and engine model are displayed briefly when RUN is pressed. |
| OFF | Stops the generator set. The cooldown time delay is ignored. During the engine crank cycle, pressing OFF will stop the crank cycle. Press to clear faults and reset the controller. Press and hold to access the event log. |
| AUTO | Press to place the generator set in Automatic (standby) mode. Press to exit the event log. Press and hold AUTO and OFF to reset the maintenance timer. |
| EXERCISE | When the controller is in AUTO mode, press to set the exerciser. When the controller is OFF, press and hold to reset the OnCue password. |

Figure 5-8 DC2 Controller Pushbutton Operation

LED Indicators

LEDs above the RUN, OFF, and AUTO buttons indicate the mode of operation as shown in Figure 5-9.

| LED | LED Indication | Description |
|------|---|--|
| RUN | RUN LED is on. | Generator set is running. Remote start and stop commands are ignored. |
| OFF | OFF LED lights for 2 seconds, then flashes every 2 seconds. | Generator set and controller are off. Remote start/stop commands have no effect. The exercise cycle will not run. |
| | In Auto mode, OFF LED flashes quickly to indicate a fault shutdown. | Attention required. Identify and correct the fault condition before resetting the controller. |
| AUTO | AUTO LED is on. | Automatic (standby) mode. Generator set will respond to engine start and stop commands from the controller (for example, exercise start and stop commands) or an ATS. Time delays operate as described in Section 2.4. |

Figure 5-9 DC2 Controller LED Operation

LCD Display

The controller is equipped with a two-line x 16 character backlit digital display with adjustable contrast. When the generator set is running, the messages shown in Figure 5-10 are displayed. When the system is in AUTO, the LCD display steps through the status messages shown in Figure 5-11.

When a fault or warning condition exists, the controller will show the corresponding message. See Section 2.6 for more information on fault and warning messages.

The display backlight turns off after about a minute of no activity. The backlight turns on when a button is pressed or when the generator set starts.

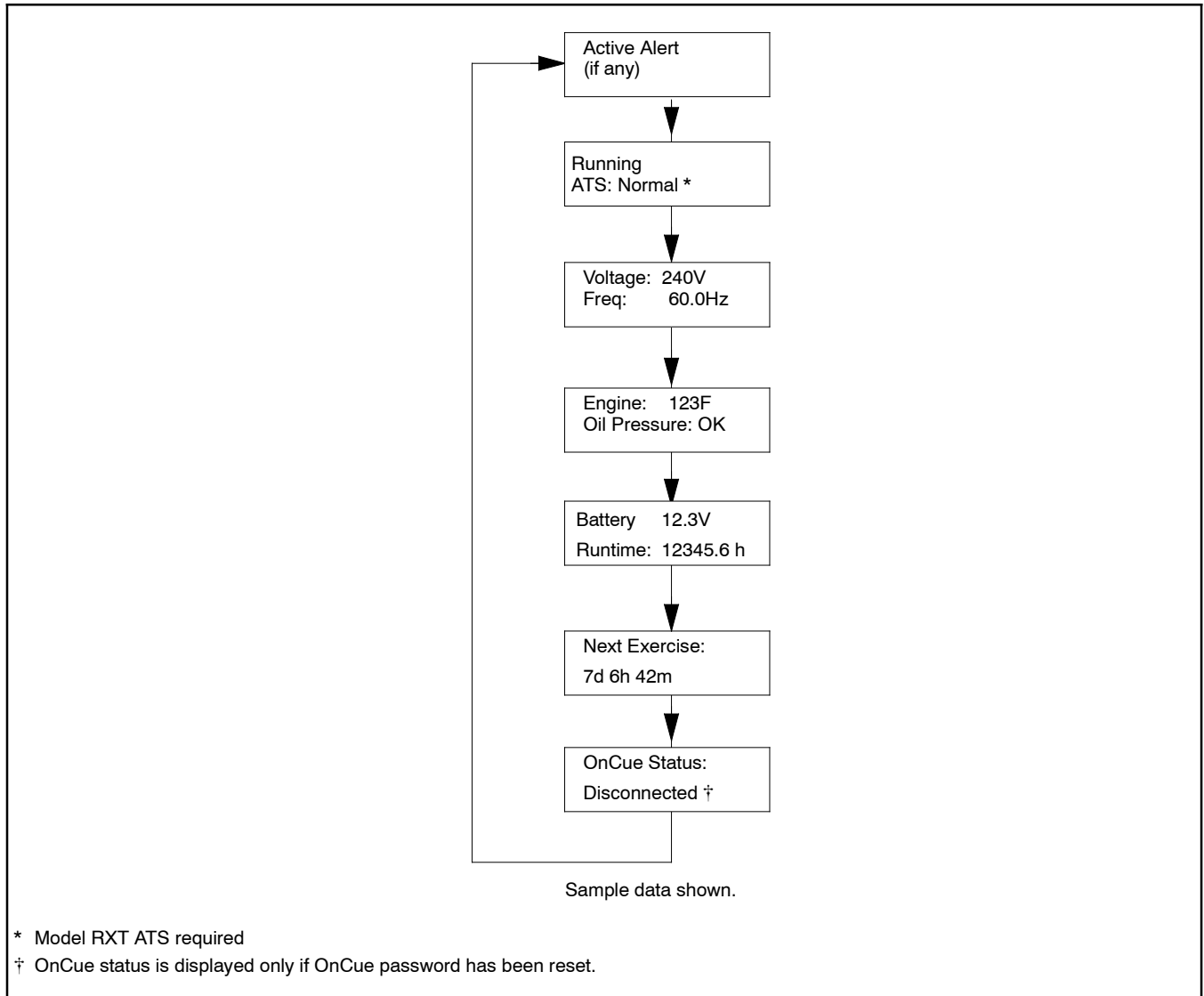


Figure 5-10 Status Displays, Generator Running

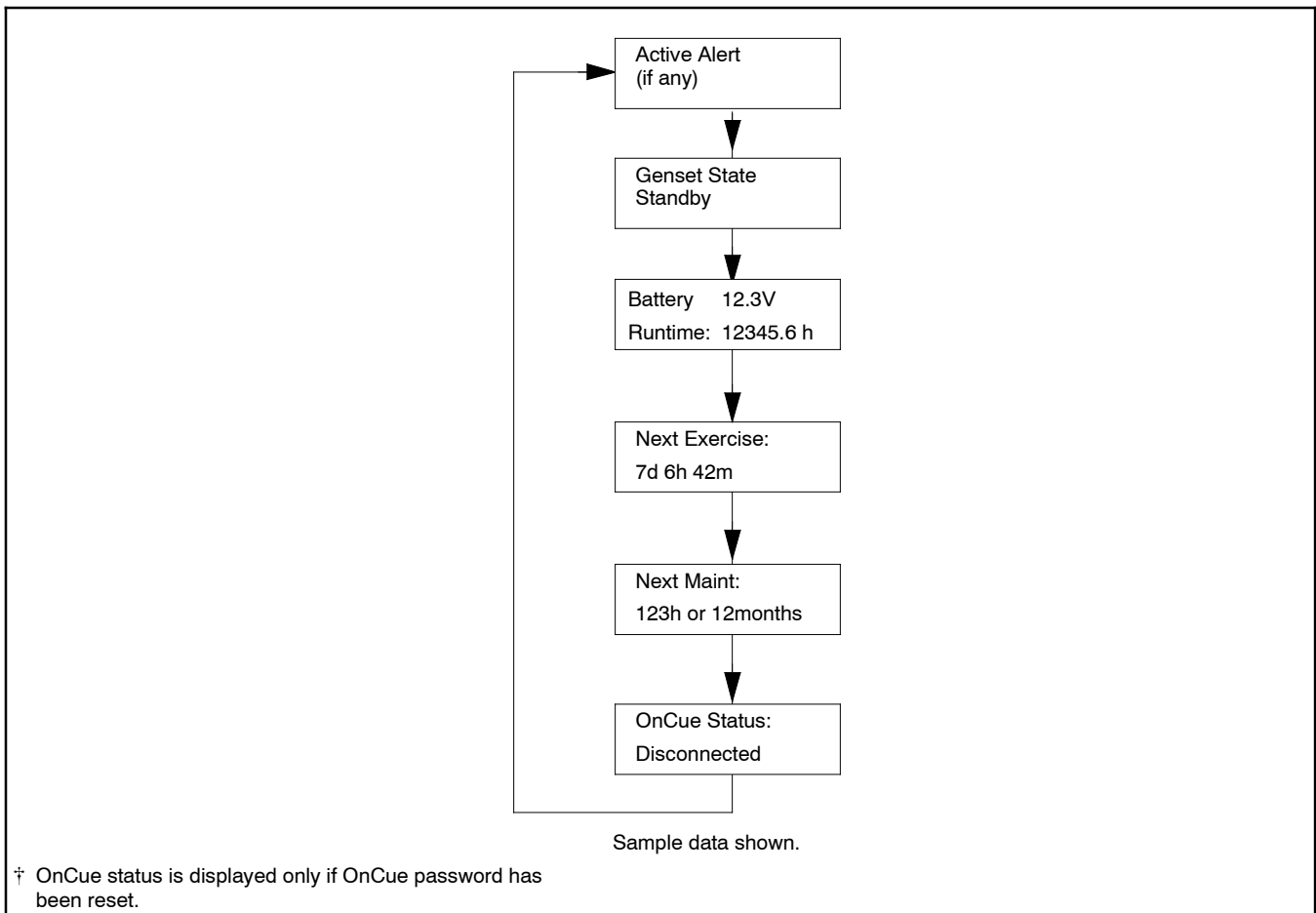


Figure 5-11 Status Displays, Generator in Standby

Controller Power

The DC2 controller is powered by the generator set engine starting battery.

Note: To disconnect controller power, disconnect the utility power to the generator set and disconnect the battery (negative lead first).

Battery Charging

The controller includes a built-in battery charger to maintain the engine starting battery. The DC2 controller monitors the battery voltage and provides a constant $14 \pm 2\%$ VDC voltage and maximum 2.5 amps to charge the battery.

The installer must connect 120 VAC/60Hz utility power provided from the building on a breaker-protected circuit for the built-in battery charger. See the Installation Manual for instructions to connect power.

Exercise

The DC2 controller can be set to automatically run the generator set at the same time and day each week. Exercising the generator set weekly is required to keep the engine and alternator in good operating condition.

A laptop computer with Kohler® SiteTech™ software can be used to change the exercise frequency to every two weeks. Use a USB cable to connect the controller to the computer and see TP-6701, SiteTech Operation Manual for instructions.

Exercise Modes

Unloaded Cycle or Loaded Full-Speed exercises can be set from the DC2 controller. The Unloaded Cycle exercise mode is the default exercise mode. A Model RXT transfer switch is required for the Loaded Full-Speed exercise mode. See Section 2.5 for more information about the exercise modes.

A laptop computer with Kohler® SiteTech™ software can be used to change the exercise mode to Unloaded Full Speed.

Setting the Exerciser

Set the exerciser to automatically run the generator set for 20 minutes every week. Follow the procedure below to set the exerciser.

Procedure to Set the Exerciser

1. Press AUTO. Verify that the AUTO LED is on and Utility power is available.
2. Press the exercise button to start an unloaded exercise.
3. If a loaded exercise is required, press the Exercise button again within 5 seconds.
4. After 5 seconds, the generator begins its crank cycles. During the crank cycles, the number of the crank cycle is displayed. No button presses are acknowledged during the crank cycles.
5. The generator runs through the exercise cycle described in Section 2.5.2. The controller monitors the system during the unloaded exercise as described in System Diagnostics.
6. After 20 minutes, the engine stops automatically.

The exercise time is set to the time the exercise button is pressed. An unloaded or loaded exercise, as selected above, will occur at the same time every seven days.

Exerciser Reset

To reset the exerciser to run at a different day and/or time, follow the procedure above to enter the new exerciser settings. The old settings will be replaced by the new time and day.

Faults

The controller displays fault messages for generator set warnings and shutdowns. Selected fault messages are shown in Figure 2-5.

Warnings

The controller displays a fault message but the generator set does not shut down on a warning. The controller resets automatically after a warning condition is corrected.

Shutdowns

Under a fault shutdown condition, the generator set shuts down automatically and the controller displays a fault message. The OFF LED flashes. In some cases, the engine cooldown cycle runs before the engine shuts down. See Figure 2-5.

Shutdown switches (such as the low oil pressure switch or high engine temperature switch) on the generator set will automatically reset when the problem is corrected. However, the fault condition at the controller does not clear until the controller is reset.

The generator set cannot be restarted until the fault condition is corrected and the controller is reset. See Section 2.6.4 for instructions to reset the controller after a fault shutdown.

ATS Communication Errors

When a Model RXT transfer switch is used, an ATS fault indicates that the connection to the interface board on the transfer switch has been lost. Check the connection to the ATS interface board.

Resetting the Controller after a Fault Shutdown

Always identify and correct the cause of a fault shutdown before resetting the controller. Check the fault message displayed on the controller and refer to Figure 2-5 to identify and correct the fault condition before proceeding. Contact an authorized distributor/dealer for service, if necessary.

Press the OFF button to clear the fault message on the controller.

Event Log

The event log displays up to 10 controller faults and notices, starting with the most recent event. Events are numbered 1- 10, with 1 being the most recent. Each event is displayed with the date and time of the event, the number of the event, a letter to indicate whether the event was a warning (W), shutdown (S), or informational notice (I), the engine hours at the time of the event, and the event description. See Figure 5-12.

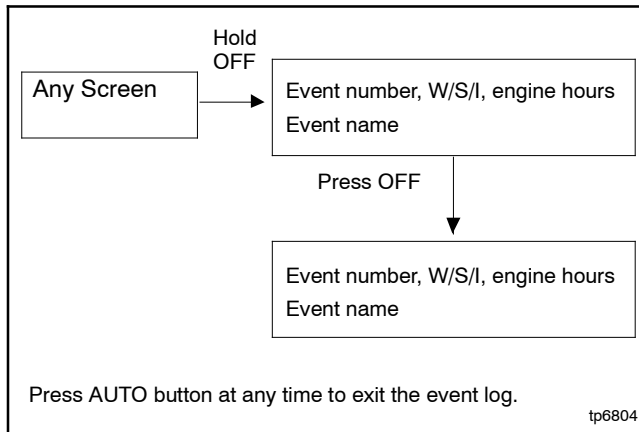


Figure 5-12 Event Log

Procedure to View Event Log

1. Press the OFF button. The controller must be OFF to display the event log.
2. Press and hold the OFF button until the first event appears on the display.
3. Press OFF to step through the other events.
4. To exit the Event Log, hold the OFF button or press the AUTO button.

Maintenance Timer

The maintenance timer keeps track of the time until the next recommended maintenance according to the maintenance schedule for the generator set. Reset the maintenance timer after changing the oil and performing the other maintenance tasks recommended in Section 4.

To reset the maintenance timer:

1. Press and hold the OFF and AUTO buttons together until Maintenance Timer Reset is displayed.
2. Release the OFF and AUTO buttons.

OnCue Plus Password

For the initial OnCue® Plus setup, you will be required to reset the OnCue® password on the DC2 controller, and then enter it into the OnCue® Plus application. To reset the password, follow the instructions below.

Note: Use the OnCue password shown on the controller display for OnCue or OnCue Plus applications.

1. Press the OFF button and verify that the generator set is not running.
2. Press and hold the Exercise button until Press Again to Reset OnCue PW is displayed.
3. Release the Exercise button and press it again within 5 seconds.

Note: If the Exercise button is not pressed within 5 seconds, the controller exits the password reset mode.

4. The genset serial number and new password (PW) will be displayed for 10 seconds. Record the password for entry into the OnCue® Plus program.

TP-6804 2/21o

© 2011 Kohler Co. All rights reserved.

KOHLER®

KOHLER CO., Kohler, Wisconsin 53044
Phone 920-457-4441, Fax 920-459-1646
For the nearest sales/service outlet in the
US and Canada, phone 1-800-544-2444
KOHLERPower.com