

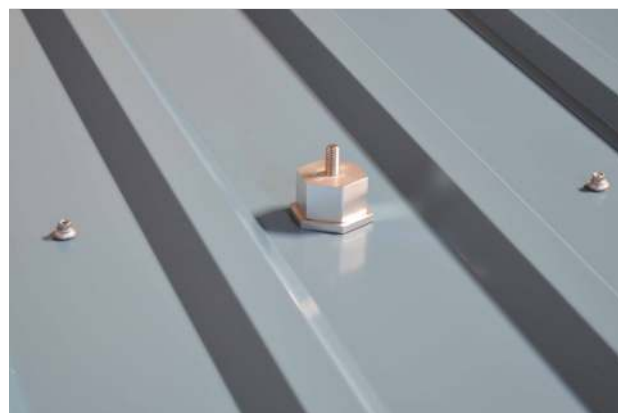
SERIES 100 UL METAL ROOF BASE

SnapNrack Solar Mounting Solutions

The SnapNrack line of solar mounting solutions are designed to reduce total installation costs. The system's technical innovations have been proven to drive down costs and improve installation quality on more than 350 MW of solar installations.

Metal Roof Base Simplified

The Metal Roof Base (MRB) provides a robust self-sealing mounting base for common corrugated metal roof profiles. The base seals to the roof with an integral EPDM Rubber Washer and a sealing top cap. The completed assembly has a 5/16" stud compatible with existing SnapNrack components and has been tested to over 4,000lbs of uplift force! The MRB can't be beat for ease of installation and reliability over the service life of the system.



Metal Roof Base in 3 Simple Steps:

- 1) Drill hole in roof over beam, rafter, or purlin.*
- 2) Secure MRB base to the roof with lag bolt or tek screw.
- 3) Install and tighten MRB cap

* Make sure that the roof and gasket are free of debris or metal shavings.

Place order with your distributor. Purchase material for a single project or order in bulk for additional savings

Patent Pending



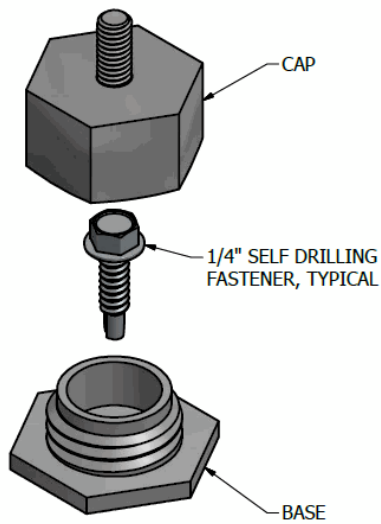


Metal Roof Base for Series 100 Installation



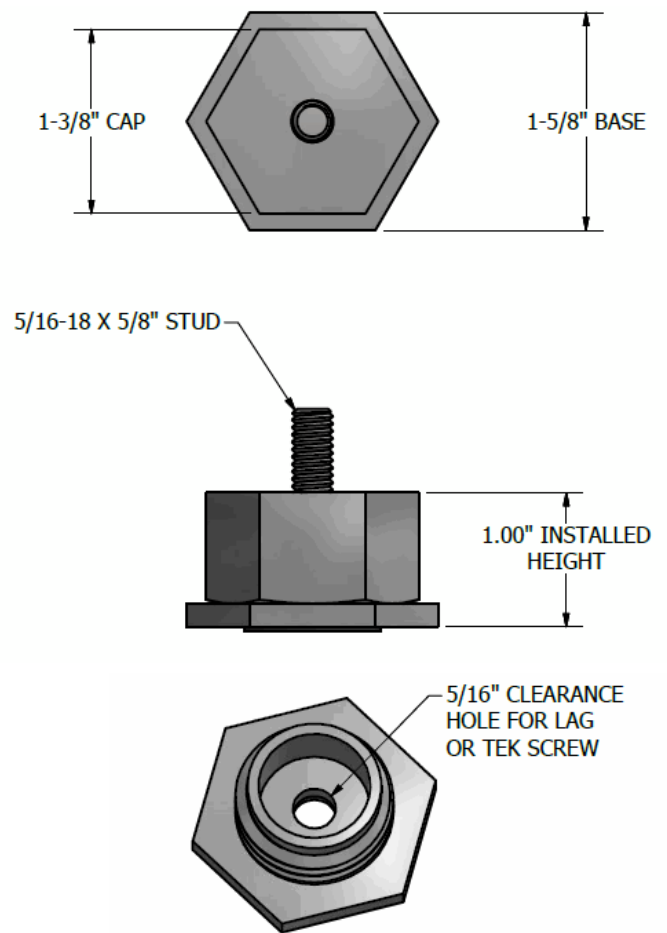
Metal Roof Base for Commercial Installation

Metal Roof Base Assembly



Tek screw or lag is not provided

Metal Roof Base Dimensions



SnapNrack Metal Roof Base Technical Data <small>Patent Pending</small>	
Structural engineering in all fifty states	
Materials	• 6000 Series Aluminum
Material Finish	• Clear anodized aluminum
Weight	• 0.4 lbs
Design Uplift Load	• 1,008 lbs Uplift
Design Ultimate Load	• 4,033 lbs Uplift
Warranty	• 10 Year material and workmanship

SnapNrack™
Solar Mounting Solutions

(877) 732-2860 www.SnapNrack.com

♻️ Printed on recycled paper using soy based inks.

© 2015 by SnapNrack PV Mounting System. All rights reserved.