



# MNPVHV Disco Instructions



MNPV8HV TYPE 4X



MNPV6HV TYPE 4X

The MNPVHV combiners are rated for outdoor use. Designed for combining high voltage strings using 10mm x 38mm fuses.

The use of touch safe din rail mount fuses and fuse holders allows operation up to 600 Volts.

This Manual covers the following models:

- MNPV4HV TYPE 3R
- MNPV6HV TYPE 4X
- MNPV8HV TYPE 4X
- MNPV8HV TYPE 3R
- MNPV16HV TYPE 4X
- MNPVHV8-DLTL-3R
- MNPVHV8-DLTL-4X
- MNPVHV16-DLTL-3R
- MNPVHV16-DLTL-4X

## Application:

- Solar combiner with Disconnect

## Features:

- Outdoor enclosures available in Type 3R and Type 4X
- Powder coated aluminum construction stands up to the elements
- Type 4X units are waterproof to two Meters depth in any orientation
- Combiners are designed for use with one or two inverters or one non-isolated inverter
- “Convertible” design allows for great flexibility
- Big Red Handle makes for easy to understand operation
- Clear Deadfront provides safety and a look inside
- Additional remote disconnects can be added – any remote can turn off all combiners
- Compatible with the Birdhouse for remote disconnect and other features (sold separately)
- Meets and exceeds NEC 2011 requirements

# IMPORTANT SAFETY INSTRUCTIONS

**SAVE THESE INSTRUCTIONS** - These instructions contain important safety and operating instructions for the MidNite Solar MNPVHV Disconnecting solar combiner boxes.

If you do not fully understand any of the concepts, terminology, or hazards outlined in these instructions, please refer installation to a qualified dealer, electrician or installer. These instructions are not meant to be a complete explanation of a renewable energy system.

## GENERAL PRECAUTIONS

If service or repair should become necessary, contact MidNite Solar Inc. Improper servicing may result in a risk of shock, fire or explosion. To reduce these risks, disconnect all wiring before attempting any maintenance or cleaning. Turning off the inverter will not reduce these risks. Solar modules produce power when exposed to light. When it is not possible to disconnect the power coming from the Photovoltaics by an external means such as a combiner, cover the modules with an opaque material before servicing any connected equipment.

Do not work alone. Someone should be in the range of your voice or close enough to come to your aid when you work with or near electrical equipment.

Remove rings, bracelets, necklaces, watches etc. when working with photovoltaic modules or other electrical equipment. Power from an illuminated photovoltaic array makes a very effective arc welder with dire consequences if one of the welded pieces is on your person.

# INSTRUCTIONS DE SECURITÉ IMPORTANTES

## CONSERVER CES INSTRUCTIONS

Ces instructions contiennent des informations importantes pour utiliser le Midnite Solar SMA MNX-240 Autotransformer en toute sécurité.

1. Avant l'utilisez cet appareil lis et comprends toutes les instructions et avertissements.
2. Si vous ne comprenez pas l'une des concepts ou des instructions contenu dans cette manuel consulter un agent spécialisé.
3. Si des réparations sont nécessaires contactez MidNite Solar pour plus des informations. Danger de choc électrique et de risque de brulure. Rien à dépanner à l'intérieure du cette appareil. Ne pas ouvrir le couver. Pour toute réparation ou service d'entretien, consulter un agent spécialisé. Il y'a peut-être plusieurs sources d'alimentation dans cette system. Débrancher toutes les interrupteurs avant toute d'entretien où nettoyage.
4. Ne travaillez pas seul. Quelqu'un devrait toujours être à proximité pour aider en cas d'une situation d'urgence.
5. Retirer bagues, bracelets, colliers, montres, et quelles choses comme ça. Il y'a risque des blessures graves s'il y'a un court-circuit. Cela pourrait ruiner votre journée entière.
6. Le câblage doit être fait en conformité avec le National Electrical Code ANSI / NFPA 70. Utiliser des méthodes de câblage de catégorie 1 pour les connexions de câblage sur .des terminaux d'un circuit de classe 2. Utilisez uniquement des fils de AWM de calibre 14-1/0. Sélectionnez le type de câble utilisé sur la base de la protection prévue par les disjoncteurs / fusibles.

**Table of Contents**

Introduction ..... 3

Installation ..... 3

Wire torque requirements ..... 4

Reconfiguring Combiners ..... 6

MNPVHV8-DLTL and MNPVHV16-DLTL ..... 17

MNSPD ..... 18

Wiring ..... 20

Optional accessories ..... 24

Appendix A Knockout location ..... 33

Warranty ..... 38

Contact Information ..... 38

**Disclaimer of Liability**

MidNite products are not intended for use in connection with Life Support Systems. MidNite Solar makes no warranty or representation in connection with their products for such uses.

Since the use of this manual and the conditions or methods of installation, operation, use of the Combiner(s) are beyond the control of MidNite Solar, this company does not assume responsibility and expressly disclaims liability for loss, damage or expense, whether direct, indirect, consequential or incidental, arising out of or anyway connected with such installation, operation, or use.

Unless specifically agreed to in writing, MidNite Solar Inc.

(a) Makes no warranty as to the accuracy, sufficiency or suitability of any technical or other information provided in its manuals or other documentation.

(b) Assumes no responsibility or liability for loss or damage whether direct, indirect, consequential or incidental, which might arise out of use of such information. The use of any such information will be entirely at the user's risk.

## Introduction

The MNPVHV series of combiners are designed for indoor / outdoor use. Type 4X have been tested to be watertight to 2 meters underwater, so they are sure to be watertight above sea level. The MNPV4HV and MNPV6HV are basic disconnecting combiners while the MNPV8HV and MNPV16HV are reconfigurable to accommodate Non-Isolated inverters or to divide one combiner into two separate halves to power 2 inverters.

Overview of size/ratings:

**MNPVHV4 TYPE 3R** ---- 4 position, 80A, NEMA 3R

**MNPVHV6 TYPE 4X** ---- 6 position, 100A, NEMA 4X

**MNPVHV8 TYPE 3R** } 8 position, 100/200A, NEMA 3R or 4X, configurable as  
**MNPVHV8 TYPE 4X** } 4 plus and 4 minus positions for non-isolated inverters

**MNPVHV16 TYPE 4X** ---- 16 position, 200A, NEMA 4X, configurable as  
8 plus and 8 minus position for non-isolated inverters

**MNPVHV8-DLTL** ---- 4 plus and 4 minus position for non-isolated inverters NEMA 4X  
4 plus and 4 minus position for non-isolated inverters NEMA 3R

**MNPVHV16-DLTL** ---- 8 plus and 8 minus position for non-isolated inverters NEMA 4X  
8 plus and 8 minus position for non-isolated inverters NEMA 3R

## Installation

To remove the deadfront:

Note: The plastic dead front fits very tight. You must first remove the lid in order to remove the deadfront.

On MNPV4HV units, pry off the lid as shown using something like a screwdriver as a lever. The dead front then lifts out easily.

On TYPE 4X units the deadfront is secured to the busbars just above the fuseholders. To remove it, gently lift it out from the top.

To reinstall the deadfront on all units, press it gently into place. There will be a gentle snap when it seats.



Remove top cover prior to removing the deadfront on Type 3R units.

The installation of a PV combiner is fairly straight forward. Select the location to install your combiner first. Some systems have the PV modules located close to the inverters. If this is the case, you can elect to mount the MNPV inside and run each PV string down to the MNPV inside the building. This is convenient for trouble shooting and upgrading. For longer runs the combiner will be mounted outdoors on the pole for pole mounted PV arrays or similar mounting for rack mounted arrays. Combiners with a TYPE 3R enclosure can be mounted in the vertical position or slanted backwards to accommodate up to a 3/12 (14°) roof pitch. All unused holes should be blocked using RTV sealant or something similar in order to keep rain and insects out of the enclosure. Care must be taken to insure that no water will get on terminal busbars or fuse holders when mounted less than vertical. Type 4X units are submersible to two meters in any orientation, so it will certainly be watertight above sea level. Be sure to comply with all local and national code requirements including National Electrical Code, ANSI/NFPA 70. Use Class 1 wiring methods for field wiring connections to terminals of a Class 2 circuit. Use only 14-1/0 gauge AWM wire. Select the wire gauge used based on the protection provided by the circuit breakers/fuses. Combiners should be mounted with #10 or larger stainless steel hardware.

There are various wiring diagrams and system examples available at [www.midnitesolar.com](http://www.midnitesolar.com) click on Documents at the top of the page for links to wiring diagrams in PDF as well as links to AutoCad wiring diagrams and even solid models aimed at aiding the system installer and designer. As such we request that they not be used for any other purpose.

## MNPVHV Disco Instructions (continued)

**Caution!** Do not disconnect any cables under load. Remove power prior to connecting or disconnecting any cable connections. If necessary, cover the solar panels with opaque material to remove power. Extremely bad things *Will* happen if connections are opened under load.

Torque –Fuseholder USM1 Fuse holder 15 in-lbs (1.7Nm)	Torque – Various Screws/Bolts	
Torque – Terminal Bus Bar	8-32	20 in-lbs (2.3Nm)
	¼-20	80 in-lbs (9.1Nm)
10AWG	20 in-lbs (2.3Nm)	Torque – Large Box Lug
8AWG	25 in-lbs (2.8Nm)	
6AWG	35 in-lbs (4.0Nm)	
4AWG	45 in-lbs (5.1Nm)	
2AWG – 1/0	50 in-lbs (5.6Nm)	
	300 MCM	275 in-lbs (23.1 NM)



Ferraz Shawmut  
USM1 Touch Safe fuseholder  
Midnite Solar part number - MNTS

Recommended torque values.  
These values apply to all the bus bars and the Plus output box lug up to 2/0. Re-torque fuse holders after one hour.

The MidNite MNPVHV combiners utilize touch safe fuse holders and fuses rated for up to 600 volts DC. The MNPV8HV can accommodate eight USM1 type fuse holders made by Ferraz Shawmut or other compatible fuse holders. Fuses are available from 1 to, 30 amps. (The combiners come with 15 amp fuses installed except special built).



**Do not open the fuseholders under load.**  
You **WILL** have a fire on your hands!

### Enclosure Notes:

In order to ensure water-tightness on Type 4X units and rain-tightness on the Type 3R units it is important to install connectors or hole plugs into every opening. Silicone sealant can be used to plug all openings on Type 3R units except for the two 1/8” drain holes on the bottom.

On Type 4X units two 1/8” drain holes can be placed at the lowest point on the enclosure. The enclosure will not be as water-tight, but this will give any condensation that may build up a way out of the enclosure.



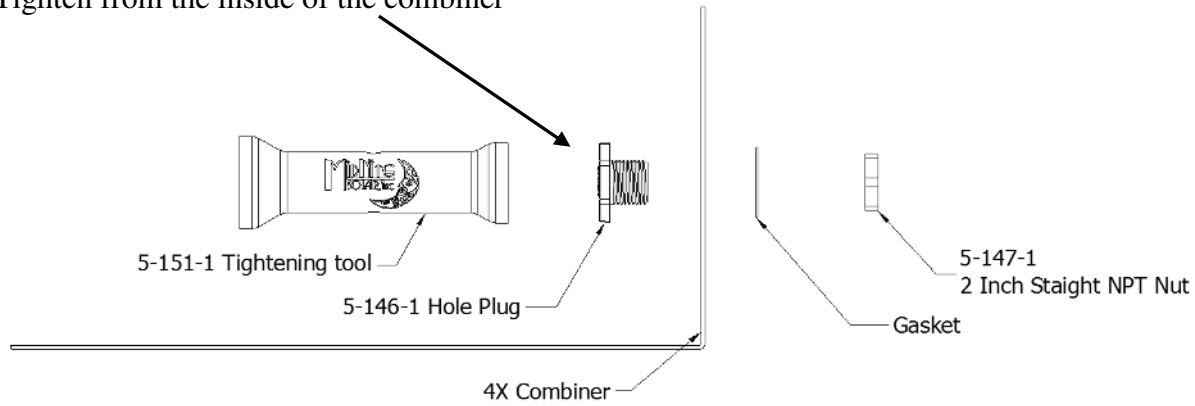
MNPV16HV Type 4X bottom Shown with plugs

Tighten firmly with tool available from MidNite Solar

## Enclosure Notes Continued:

Tighten hole plugs firmly on 4X units with MidNite Solar tool part number 5-151-1 (included). Tighten from the inside of the combiner to avoid twisting the gasket.

Tighten from the inside of the combiner



Hole plug parts placement on Type 4X Chassis

## Installing adapter fittings:

When using reducing adapters, install the adapter and gasket through the front and the nut from inside the combiner. Tighten firmly from the inside of the combiner with tool supplied.



Reducing adapters shown installed

## Reconfiguring MNPVHV Combiners:

MNPVHV Combiners come complete with all the busbars and additional labels required to reconfigure to any of the three possible configurations, Non-Isolated, 2 Inverter and Parallel. All combiners are shipped from the factory setup as parallel.

You will need:

#2 Phillips screwdriver

Slotted screwdriver

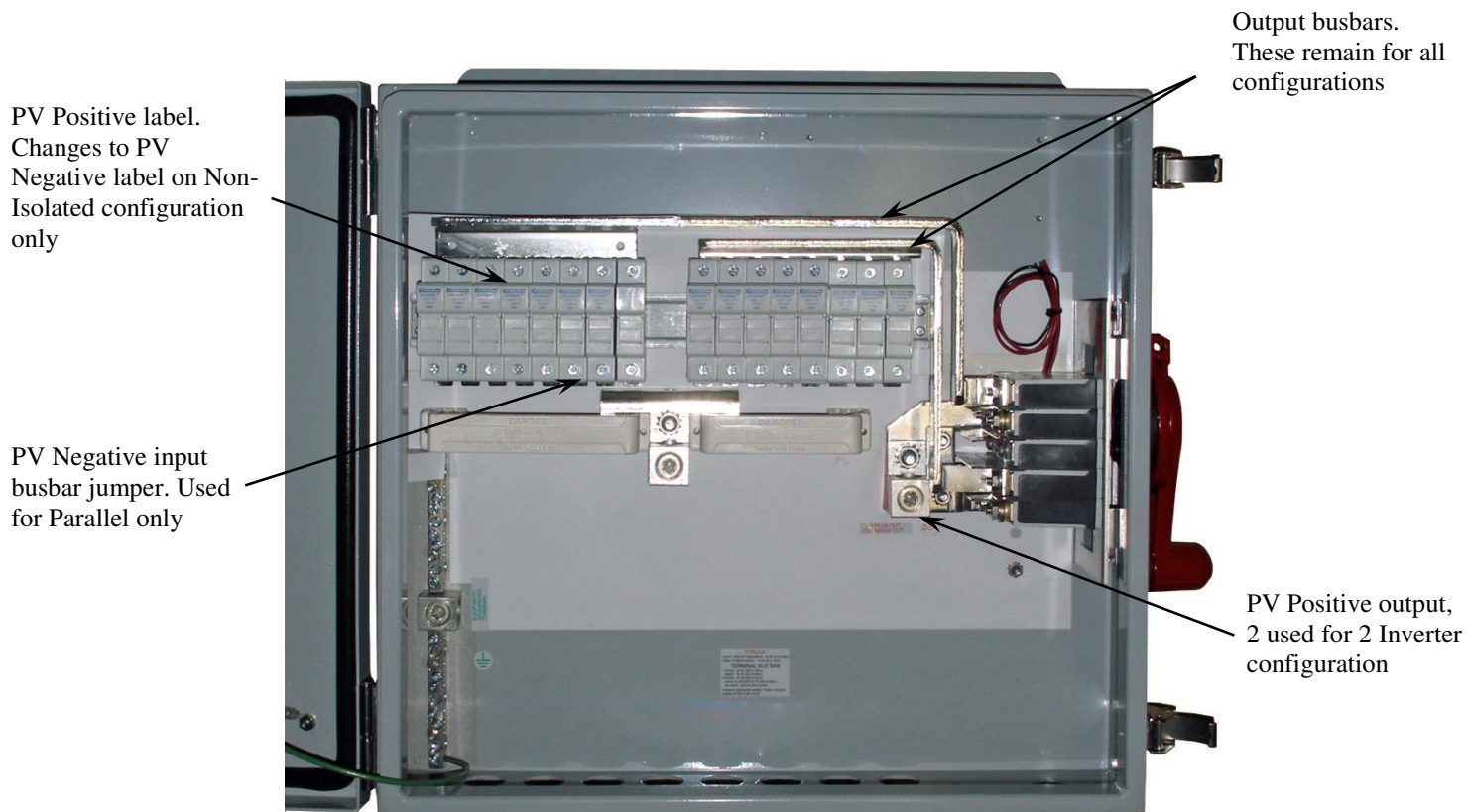
5/16, 3/8 and 7/16 wrenches

Crimper for MNSPD ring lugs (If needed)

First, the definition of the configurations.

1. **Parallel:** In this mode the Negative input busbars are joined into a single unit and the Positive outputs are joined at the disconnect providing an 8 (MNPV8HV) or 16 (MNPVHV16) string combiner. This is the default configuration.
2. **2 Inverters:** In this mode the Negative input busbars are separate as are the Positive outputs providing 2 separate 4 (MNPV8HV) or 8 (MNPVHV16) string combiners with a single 2 pole disconnect.
3. **Non-Isolated:** In this mode the negative input busbars are not used, rather the Negative inputs go directly to the fuseholders on the left and the Positive inputs go to the fuseholders on the right. This provides a 4 (MNPV8HV) or 8 (MNPVHV16) string combiner fused on the Negative as well as on the positive with a single 2 pole disconnect as required for a Non-Isolated installation.

## MNPV16HV:



Shown installed

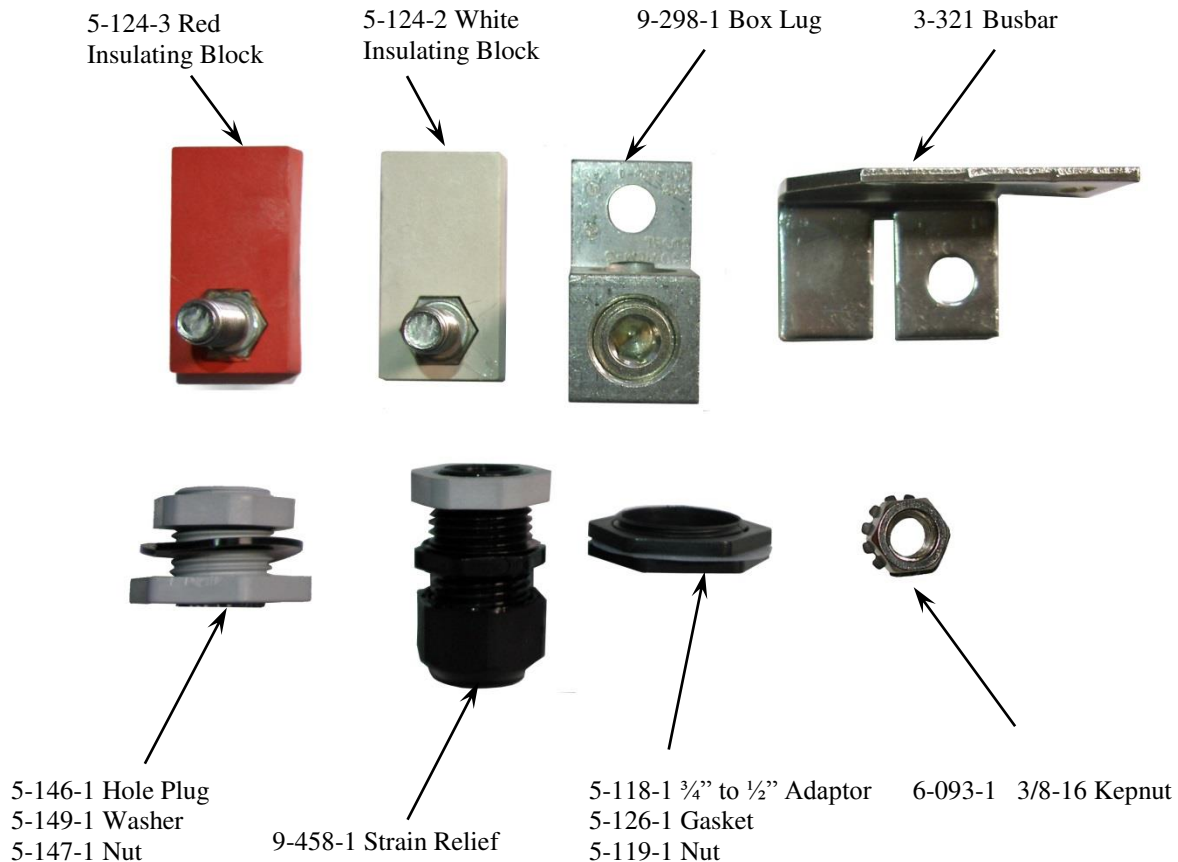
MNPV16HV Parallel configuration (default).  
16 string Disconnecting Combiner

## Reconfiguring MNPVHV Combiners continued: MNPV16HV

The following instructions assume starting from the default (parallel) configuration. If starting from another setup then either revert to the default (Parallel) configuration or follow the instructions for the desired configuration bearing in mind that the instructions may ask you to add/remove a busbar or label that has already been added/removed. If reverting back to parallel follow the instructions for the current configuration in reverse.

### Components supplied for reconfiguring MNPV16HV:

See page 31 for quantities.



The parts above (included) are all that is required to convert the MNPV16HV Combiner to any of its configurations.

On TYPE 4X units a special sealing screw is used to ensure that the unit is water-tight. Use of other screw types will compromise the seal and should not be used.



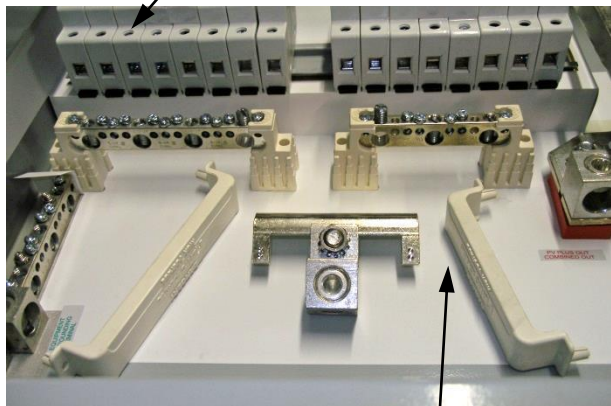


## Reconfiguring MNPVHV Combiners continued: MNPV16HV

**Parallel to 2 Inverters / Non-Isolated:** Starting with a parallel configured MNPV16HV.  
The MNPV16HV TYPE 4X is shown.

**Step 1:** Remove PV Negative block

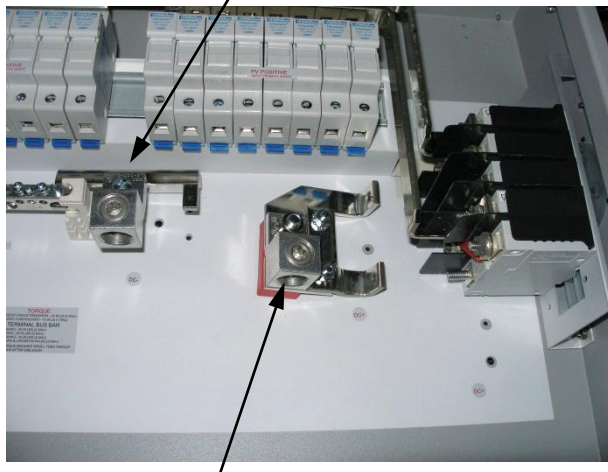
Change left “PV POSITIVE” label to “PV NEGATIVE” on Non-Isolated configuration only.



Remove terminal block covers by lifting gently

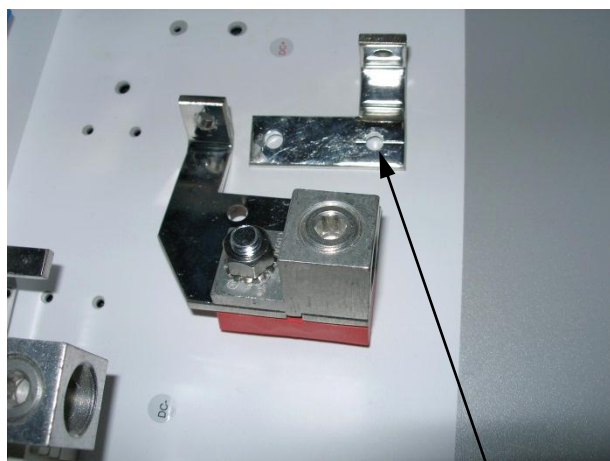
**Step 2:** Remove PV Positive Combined Out and Negative box lugs

Remove PV Negative Output lug and set aside. It is not used in the 2 Inverter/Non-Isolated configuration.



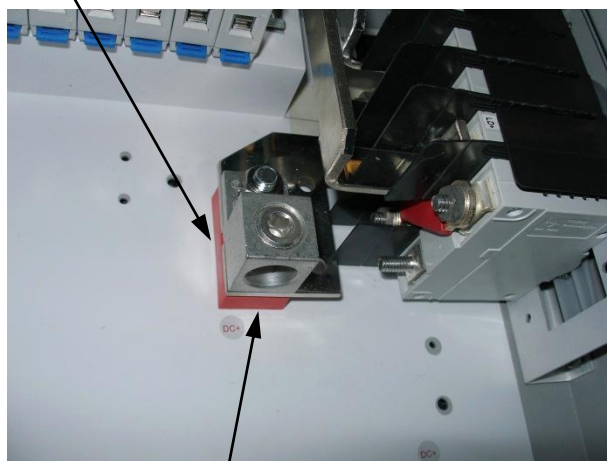
Remove PV Positive Combined Out lug by removing nuts on breakers. It will be reinstalled in Step 4

**Step 3:** Remove small busbar from PV Positive Combined Out lug



Remove two bolts holding small busbar.  
Remove small busbar from PV Positive lug

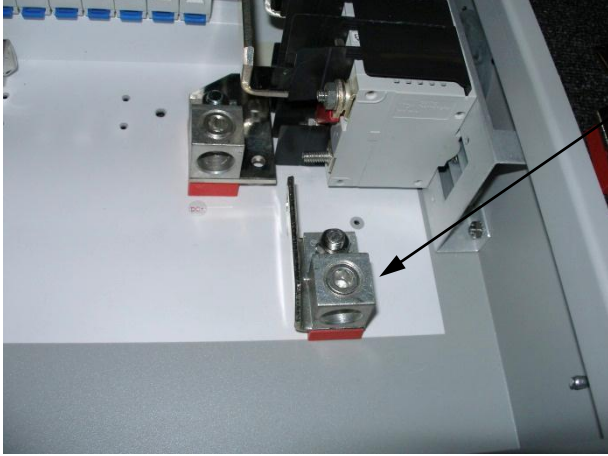
**Step 4:** Reinstall PV Positive box lug.  
Replace red insulator block with a white one.



Reinstall PV Positive Output box lug in its original position using a 7/16” boxwrench. See torque chart on page 4. Install sealed 10-32 X 3/8 screw through bottom into red insulator brass insert

## Reconfiguring MNPVHV Combiners continued: MNPV16HV

### Step 5: Install PV Positive box lug



Install PV Positive Output box lug on bottom position of switch. See torque chart on page 4. Finally, replace the PV Negative busbar removed in step 1 and install busbar.

Leftover parts should include the Non-Isolated Negative busbar, the PV negative lug removed in step 2 and the small busbar removed in step 3

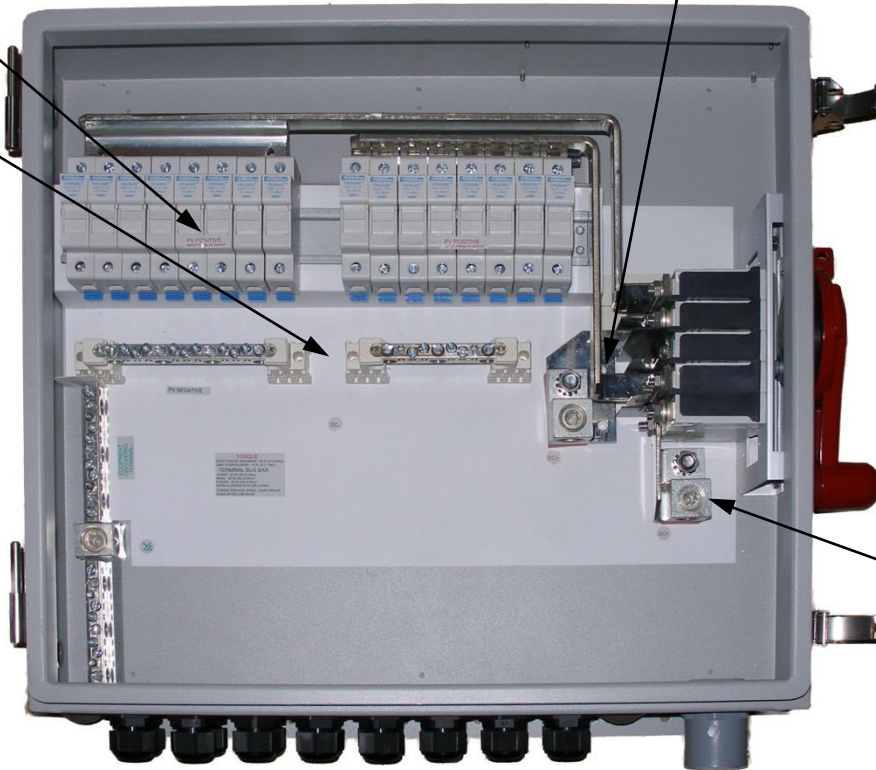
When you have finished the conversion it would be a good idea to compare your result with the photo below to be sure that all steps were completed correctly. You should now have two separate eight string combiners in one box

### MNPV16HV 2 Inverter Reconfiguration checklist

Label changed to “PV NEGATIVE” on Non-Isolated units only.

PV Negative Output lug removed.

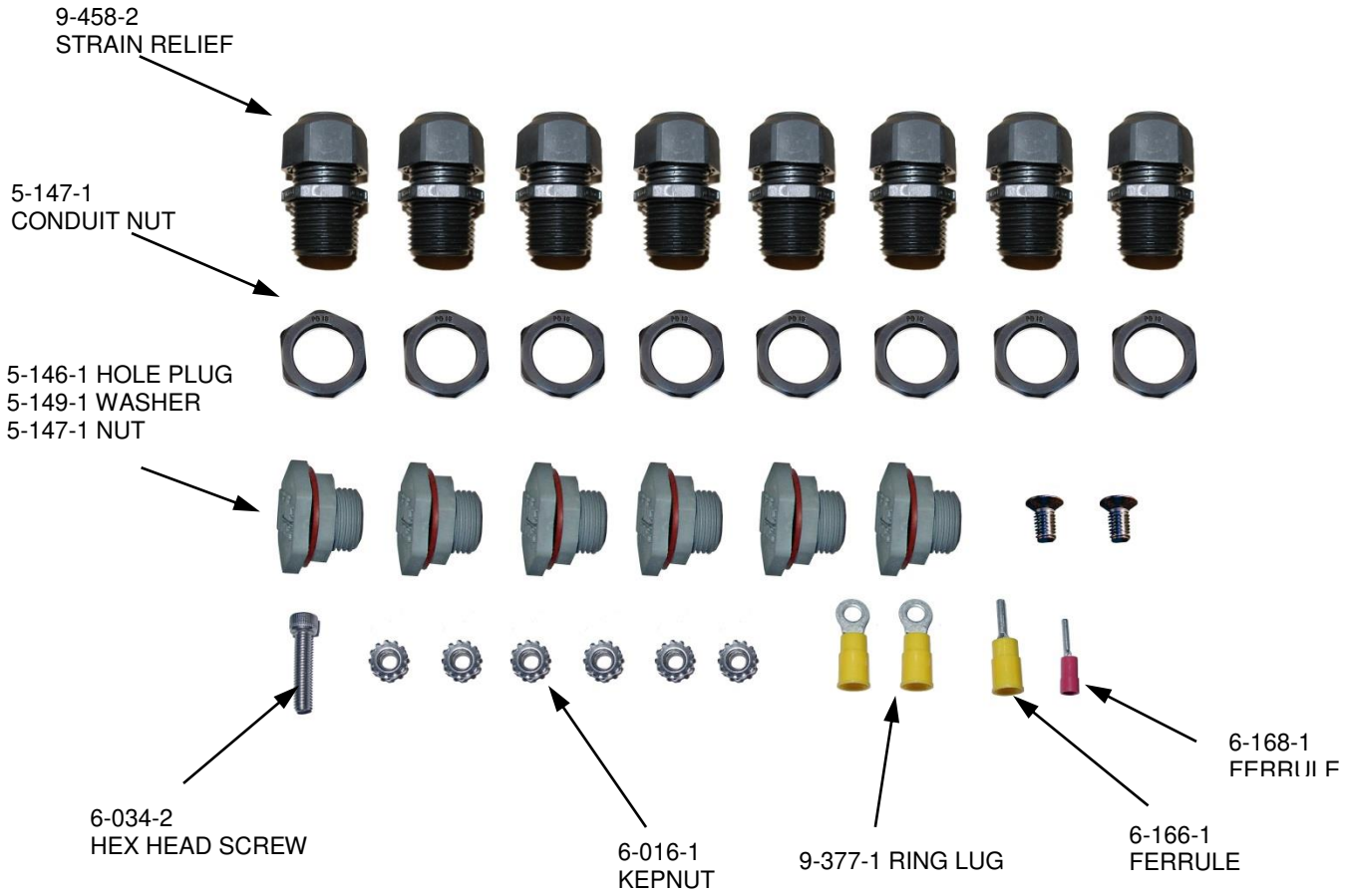
Shorting busbar removed from PV Positive output lug (Step 3)



Second PV Positive output lug installed

MNPV16HV Configured for 2 Inverters / Non-Isolated

### Reconfiguring MNPVHV Combiners continued: MNPV8HV



MNPV8HV Hardware Kit

## Reconfiguring MNPVHV Combiners continued: MNPV8HV

These additional busbars supplied with the MNPV8HV Combiner are all that is needed to convert it to any of its configurations

PV Positive busbar for 2 Inverter configuration

PV Negative busbar for Non-Isolated configuration



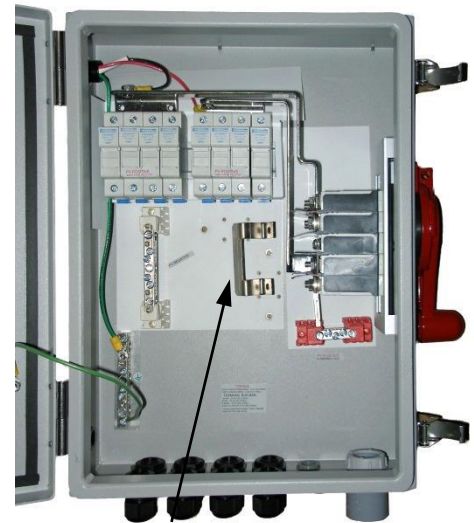
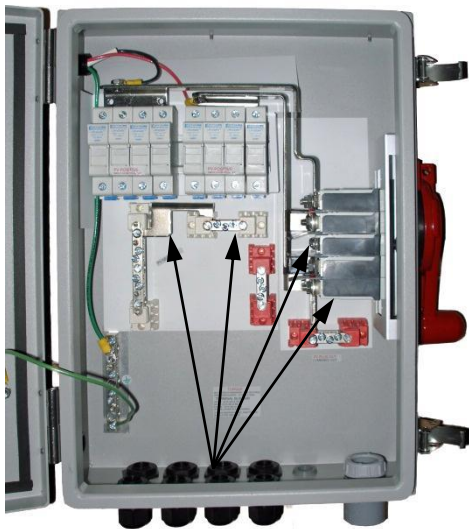
**Parallel to 2 Inverters:** See page 6 for a definition of each configuration.

Starting with a parallel configured MNPV8HV.

The MNPV8HV TYPE 4X is shown, but the process is the same for the MNPV8HV TYPE 3R.

**Step 1:** Remove Output blocks and Negative jumper busbar

**Step 2:** Remove Parallel Positive Output busbar

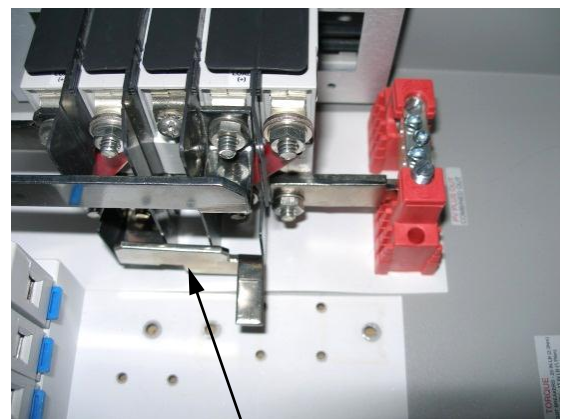
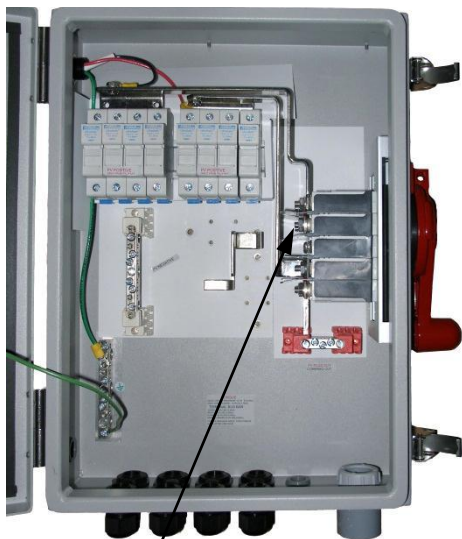


Remove Positive and Negative terminal blocks and the Negative jumper busbar as shown.

Remove Positive jumper busbar from switch, set aside, it is not used in this configuration. Replace nut on lowest position only.

**Step 3:** Install Positive Output busbar

**Step 3 continued:** Install Positive Output busbar

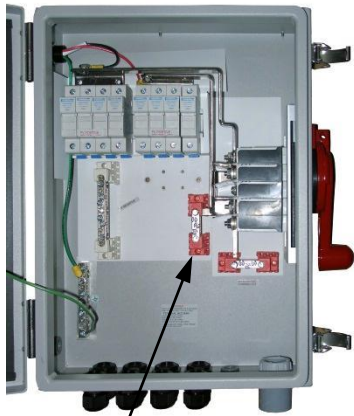


Busbar shown installed

Install Supplied PV Positive busbar for 2 inverter configuration. Oriented as shown.

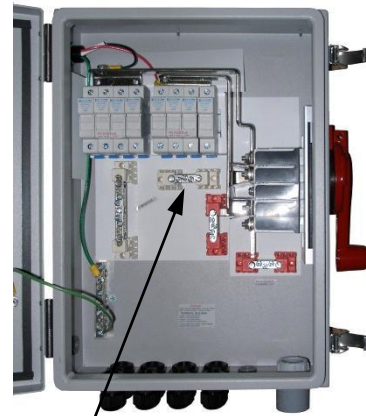
## Reconfiguring MNPVHV Combiners continued: MNPV8HV

**Step 4: Reinstall Positive block**



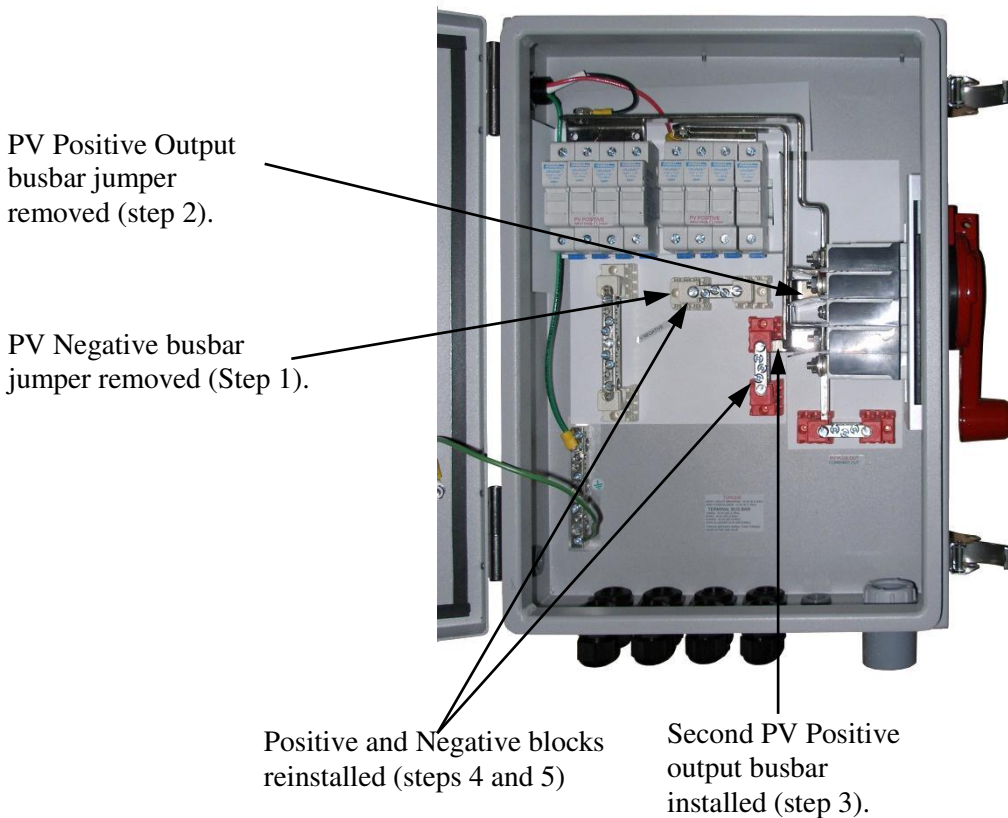
Install block. Refer to torque chart on page 4. Use screws removed in step 1

**Step 5: Reinstall Negative block**



Install block. Refer to torque chart on page 4. Use screws removed in step 1

### MNPV8HV 2 Inverter Reconfiguration checklist



PV Positive Output busbar jumper removed (step 2).

PV Negative busbar jumper removed (Step 1).

Positive and Negative blocks reinstalled (steps 4 and 5)

Second PV Positive output busbar installed (step 3).

When you have finished the conversion it would be a good idea to compare your result with the photo (Left) to be sure that all steps were completed correctly. You should now have two separate four string combiners in one box. This example has one MNSPD. Refer to the wiring diagrams beginning on page 17 For adding a second MNSPD (sold separately).

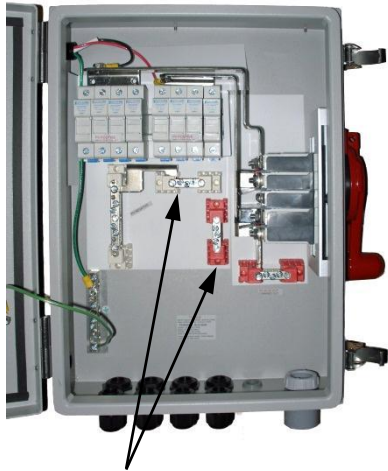
Left over parts should include the PV Negative busbar jumper removed in step 1, the PV positive busbar removed in step 2, And the PV Negative Non-Isolated busbar jumper.

### MNPV8HV Configured for 2 Inverters

## Reconfiguring MNPVHV Combiners continued: MNPV8HV

**Parallel to Non-Isolated:** Starting with a parallel configured MNPV8HV.  
The MNPV8HV TYPE 4X is shown, but the process is the same for the MNPV8HV TYPE 3R.

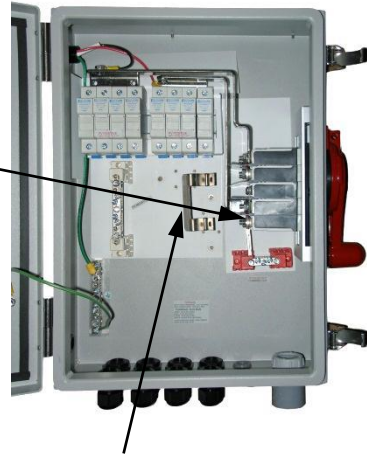
**Step 1:** Remove Output blocks and Negative jumper busbar



Remove Positive and Negative blocks and set aside. This is to provide access for the next steps.

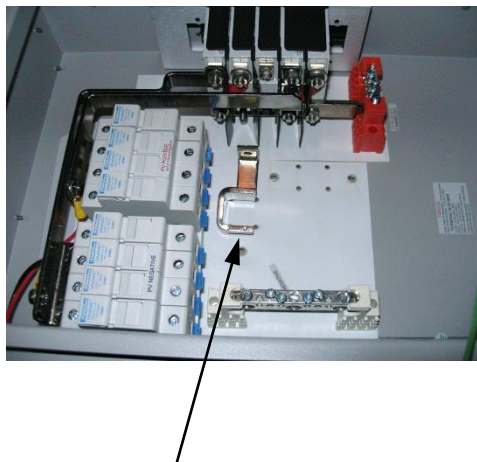
**Step 2:** Remove Positive Output busbar

Replace only this nut at this time



Remove Positive jumper busbar from switch, set aside, it is not used in this configuration. Replace nut on lowest position only

**Step 3:** Install Negative Output busbar



Install busbar on switch as shown.

**Step 3 Continued:** Install Negative Output busbar

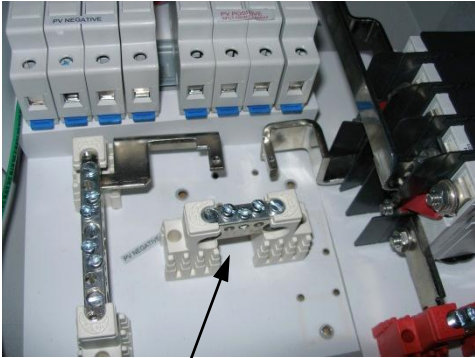
Replace PV Positive sticker with PV Negative sticker. This location only



Busbar shown installed

## Reconfiguring MNPVHV Combiners continued: MNPV8HV

### Step 4: Reinstall Negative block



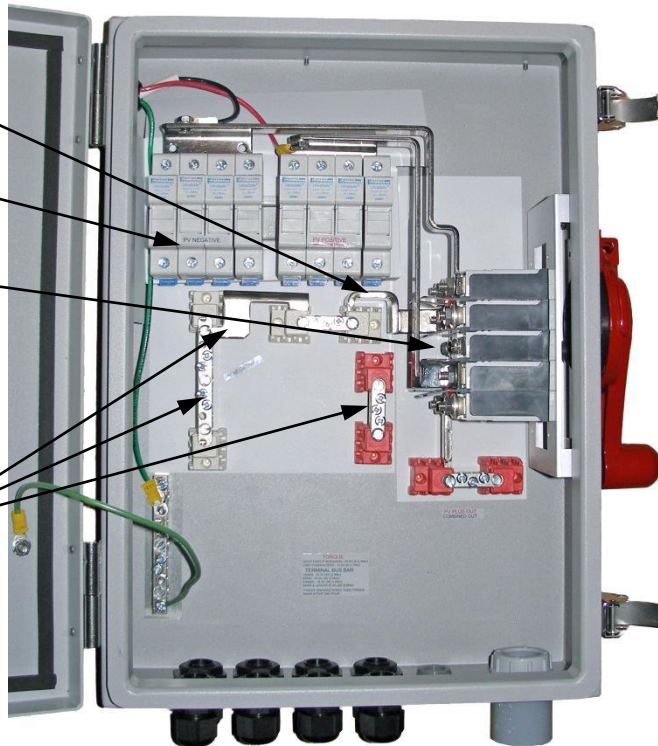
Install Negative out block with screws removed in step 1. Tighten onto busbars. Refer to torque chart on page 4.

### Step 5: Reinstall block



These terminal blocks are not used in this configuration. If desired you may remove them and use elsewhere, otherwise you may leave them installed here. Be sure to seal any holes left open.

Install PV Negative Output busbar (step 3).  
 PV Positive label changed to PV Negative label (step 3).  
 PV Positive Output busbar jumper removed (step 2).  
 PV Positive terminal block / Negative block and busbar – are not used in this configuration. They are installed here to maintain watertightness. they may be removed if the mounting holes are sealed.

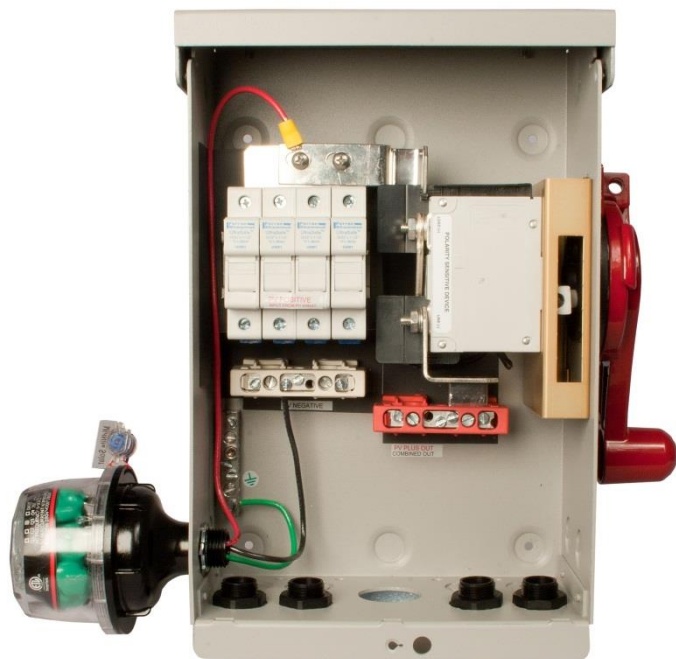


When you have finished the conversion it would be a good idea to compare your result with the photo (Left) to be sure that all steps were completed correctly. You should now have a combiner ready for four Non-Isolated inputs (Fuses on each Positive and Negative string input with disconnects on Positive and Negative combined outputs).

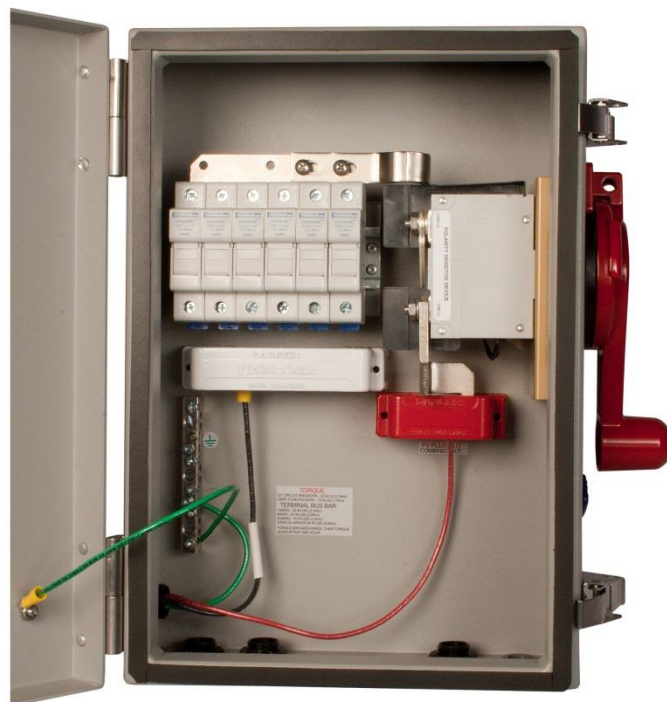
Leftover parts should include the PV Positive output busbar jumper removed in step 2, and the PV Negative output busbar removed in step 3,

MNPV8HV Configured as Non-Isolated

## MNPV4HV and MNPV6HV Combiners



MNPV4HV TYPE 3R Deluxe



MNPV6HV TYPE 4X

**MNPV4HV TYPE 3R Basic, MNPV4HV TYPE 3R Deluxe and MNPV6HV TYPE 4X** Combiners are shipped configured as 4 or 6 string combiners and are not field reconfigurable.

**MNPV4HV Disco 3R** - Basic Disconnecting Combiner has 80 amp busbars, 100 amp switch and has two poles in series to make a 600V switch. Refer to MNPV6HV wiring diagram on page 22.

**MNPV4HV Disco 3R** - Deluxe Disconnecting Combiner has 80 amp busbars, 100 amp switch with a third pole which is the feedback micro switch for the birdhouse system shutdown. It also includes one MNSPD600. Refer to MNPV6HV wiring diagram on page 22.

**MNPV6HV Disco 4X** PV Disconnecting Combiner, 3 poles, 125 amp busbars, 100 amp switch with feedback for the birdhouse and accepts the optional power supply.



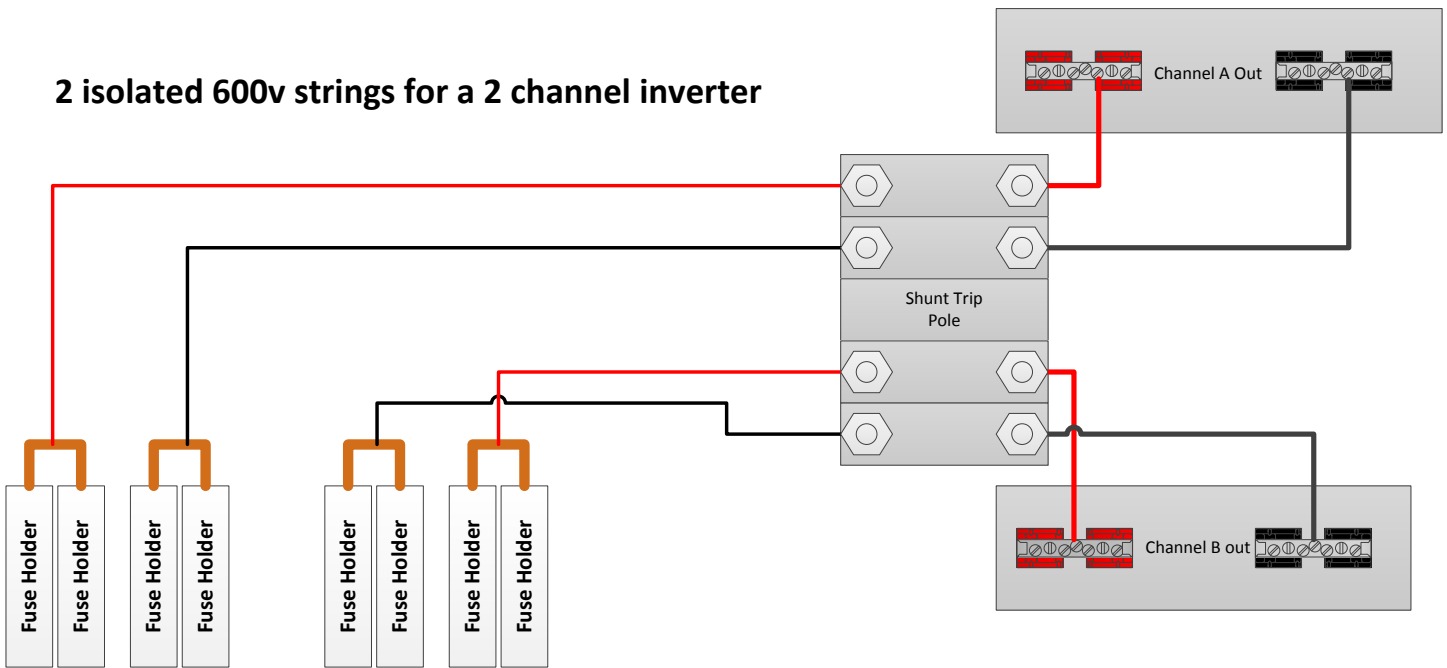
## MNPVHV8-DLTL and MNPVHV16-DLTL Combiners

The MNPVHV8-DLTL and MNPVHV16-DLTL Combiners are available in NEMA 3R and NEMA 4X models. They are split into two sections each with separate positive and negative for each section. These combiners are fully compatible with the MidNite Solar Rapid Shutdown System.

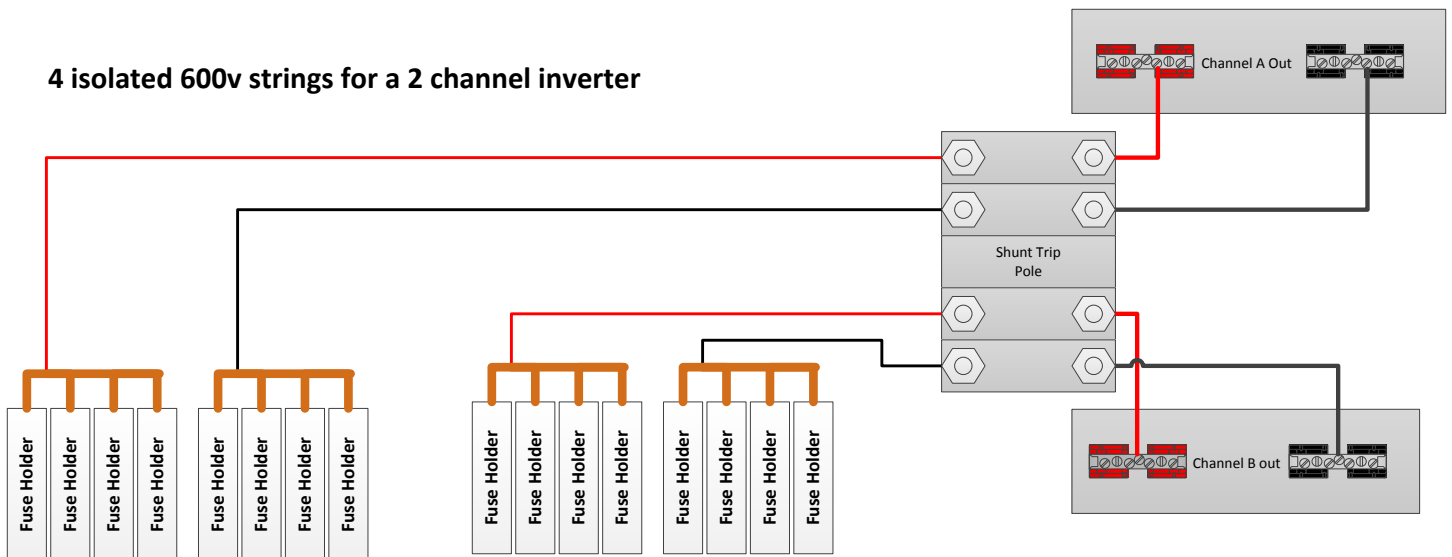
The MNPV8HV-DLTL allows you to take 4 strings in and combine them into 2 strings out. So String 1 and 2 go to channel A out and String 3 and 4 go to channel B. Allowing for two MPPT channels out to a transformerless inverter.

The MNPV16HV-DLTL allows you to take 8 strings in and combine them into 2 strings out. So String 1,2,3 and 4 go to channel A out and String 5,6,7 and 8 go to channel B. Allowing for two MPPT channels out to a transformerless inverter.

2 isolated 600v strings for a 2 channel inverter



4 isolated 600v strings for a 2 channel inverter

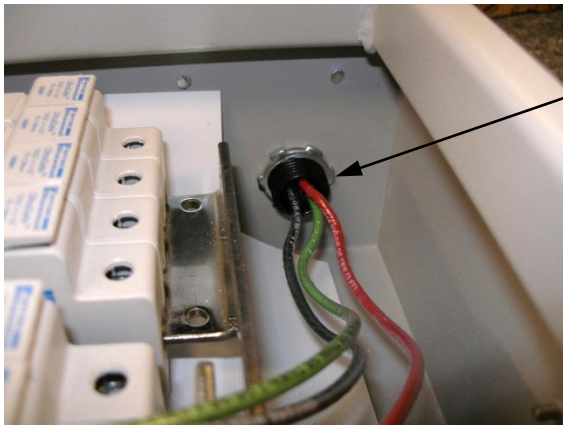


## Installing MNSPD:

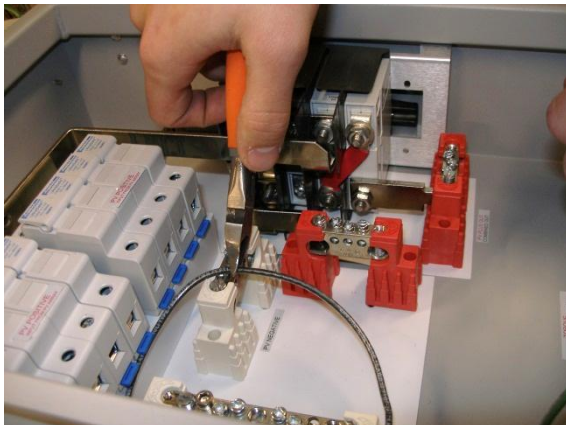
The MNPVHV Combiner comes with 1 MNSPD to protect against surges. A second MNSPD (sold separately) can be added to protect 2 inverter configurations. Refer to the wiring diagrams starting on page 17.



MNSPD Surge Protector Device



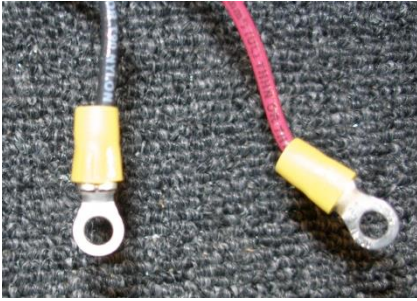
Remove the hole plug from the side of the combiner. Remove the nut from the MNSPD. Pull the wires through the side of the combiner and secure with the supplied nut. Insure that the silicone washer is installed on the outside of the chassis to maintain watertightness.



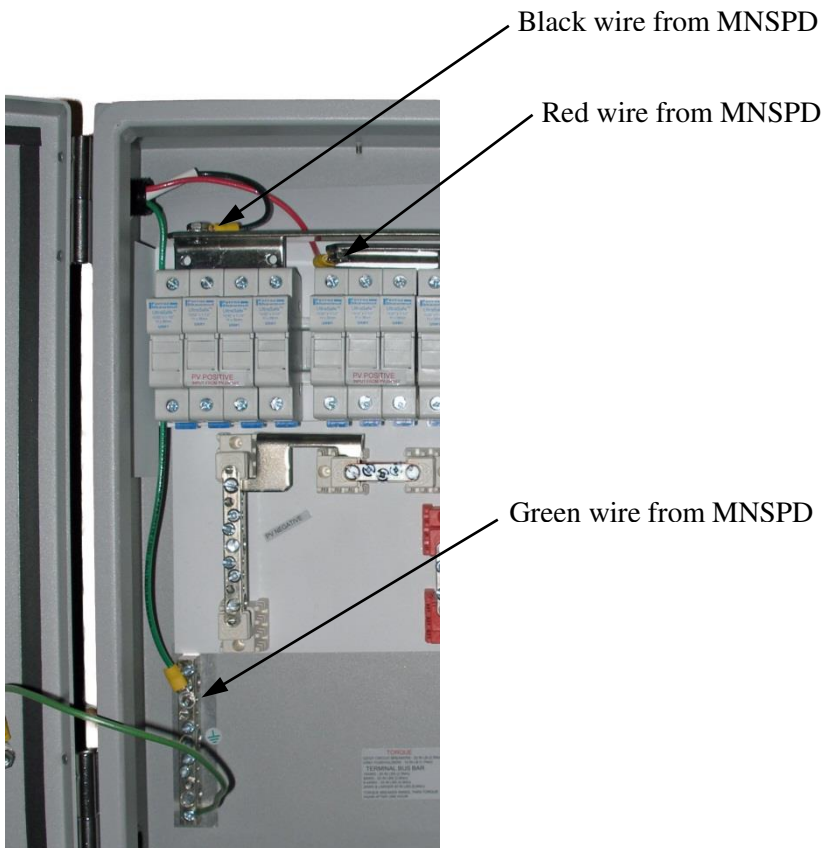
The wiring varies based on which configuration is used, so the wires will need to be cut to length. Refer to the wiring diagrams beginning on page 17 for details on your configuration

In this example (2 Inverters) the Black wire is run to the Negative and cut to length, stripped and secured in in the Negative busbar. Add a length of white heatshrink to the end of this wire to signify the grounded conductor. The red connects to the combined PV Plus busbar, the green wire goes to the ground terminal block. The second MNSPD (sold separately) connects in the same way to the other PV Positive and Negative busbars with the green connected to the ground terminal block.

## MNPVHV Disco Instructions (continued)



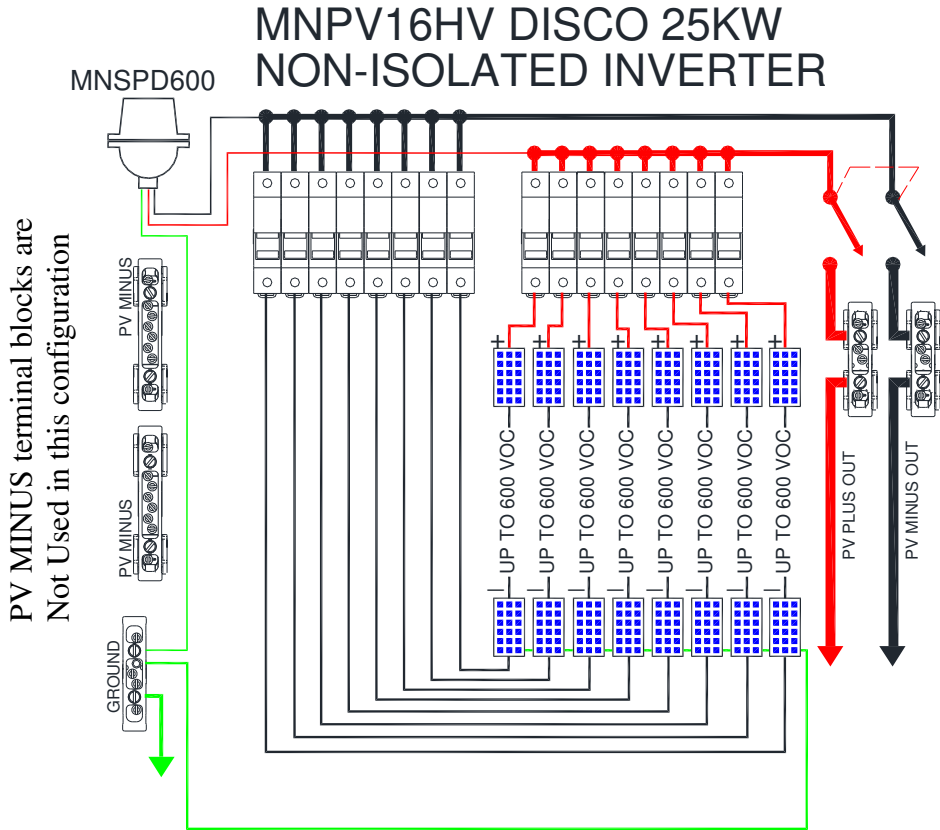
Ring lugs are included to allow easy installation of the MNSPD. If they are to be used, then you would need to strip the wire, push it into the barrel of the ring lug and crimp the barrel with an appropriate crimper. Make sure to pull on the wire after crimping to verify that the crimp is adequate.



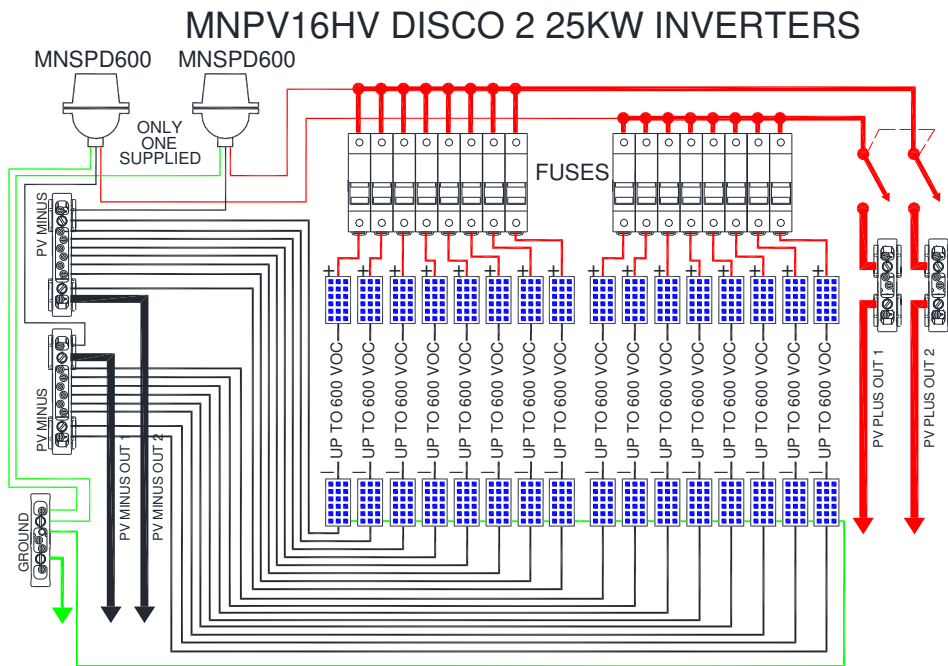
Connections for Non-Isolated.  
Refer to the wiring diagrams starting on page 17 for more information or If adding a second MNSPD600 (not included).

## Wiring

The MNPVHV Combiners can be configured to meet the combining and disconnecting needs of a wide array of solar system setups. All Combiners are shipped from the factory configured as parallel. Below are the various wiring diagrams. Reconfiguring the combiner is covered in detail starting page 6.

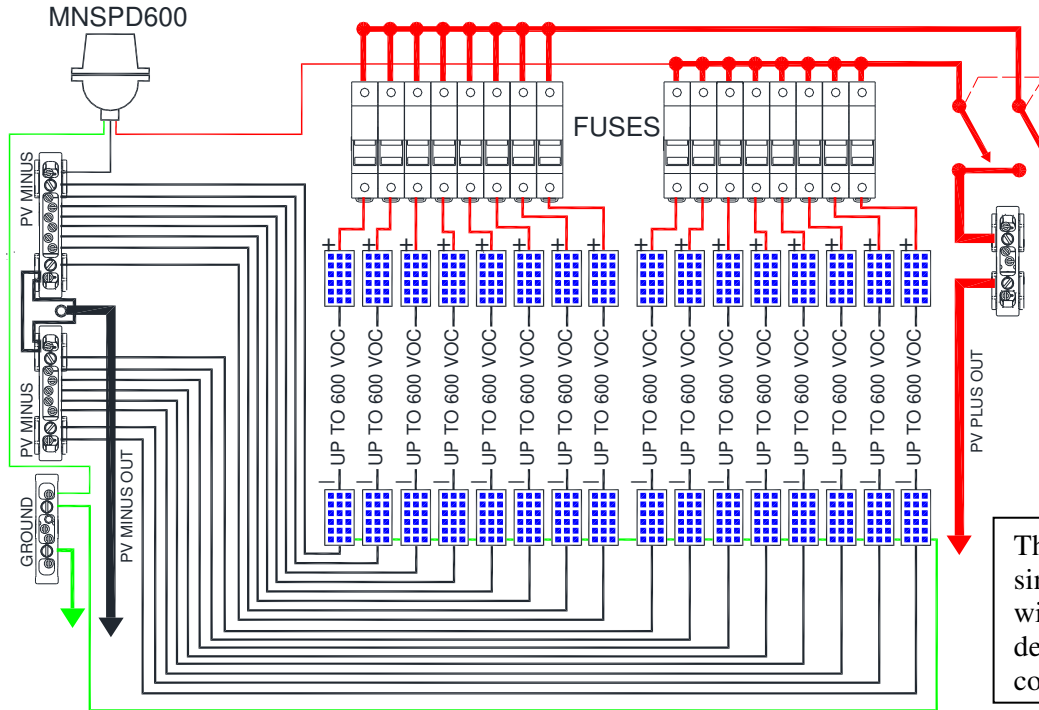


Here the Combiner is set up as two separate eight string combiners. One section combining the Positive side of the strings and the other combining the negative side. Both sides are disconnected at the same time.



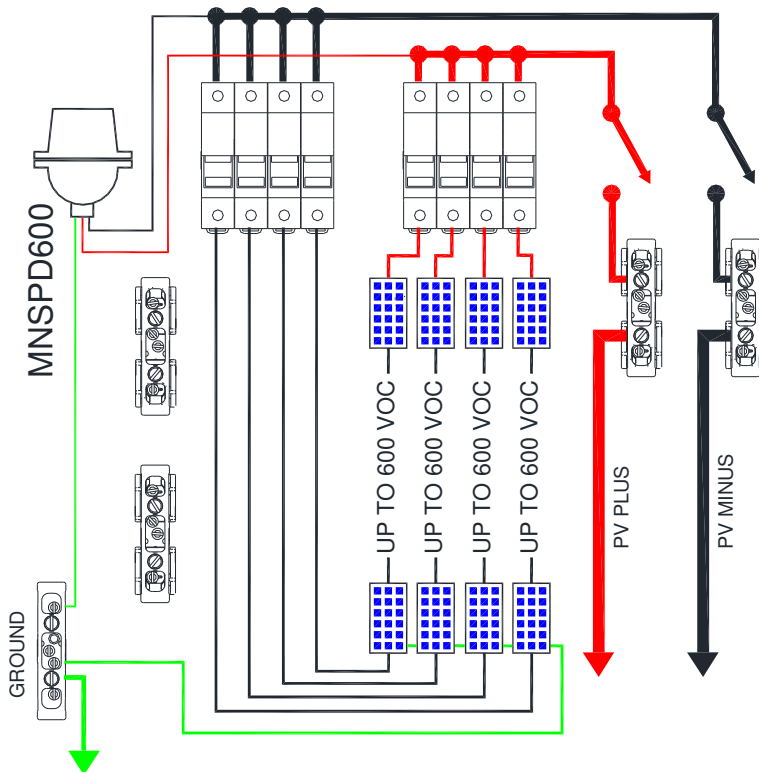
This arrangement allows the 16 position combiner to act as two separate 8 position combiners that disconnect together. Note that the second MNSPD500 is sold separately.

### MNPV16HV DISCO-PARALLEL 50KW INVERTER



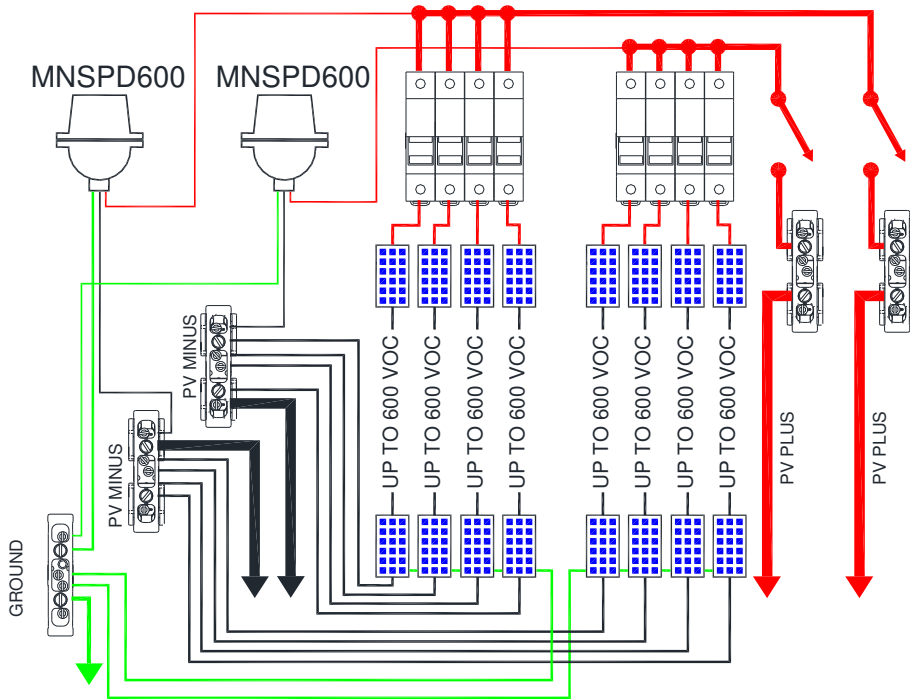
The parallel setup gives you a single 16 position combiner with disconnect. This is the default as shipped configuration

### MNPV8HV DISCO NON-ISOLATED INVERTER



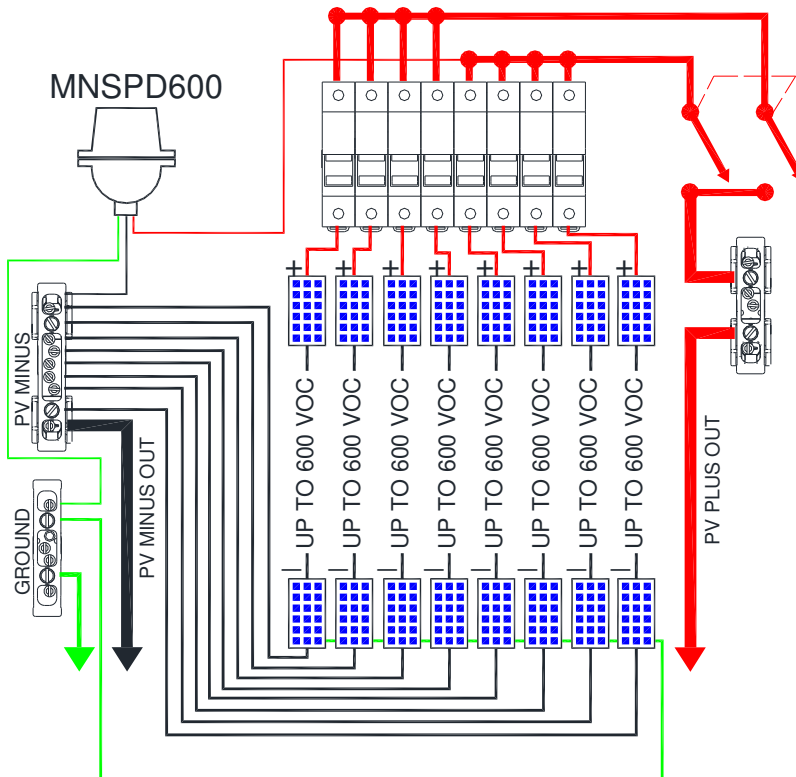
Here the Combiner is set up as two separate four string combiners. One section combining the Positive side of the strings and the other combining the negative side. Both sides are disconnected at the same time.

### MNPV8HV DISCO 2 INVERTERS



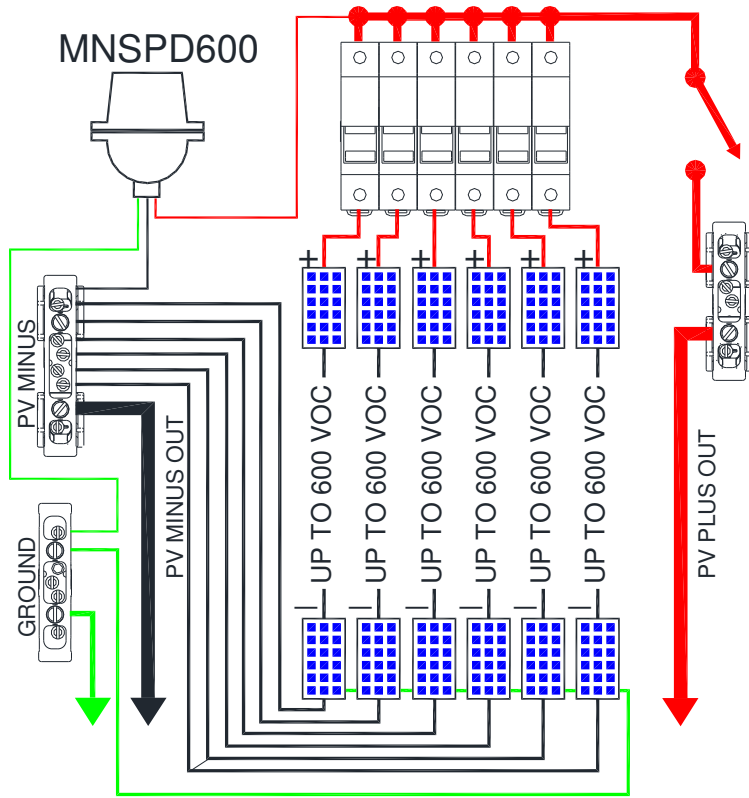
This arrangement allows the 8 position combiner to act as two separate 4 position combiners that disconnect together. Note that the second MNSPD600 is sold separately.

### MNPV8HV DISCO-PARALLEL



The parallel setup gives you a single 8 position combiner with disconnect. This is the default as shipped configuration

# MNPV6HV DISCO



This is the typical wiring for the MNPV6HV Disconnecting Combiner. The MNPV4HV is wired the same but with 4 strings



All Midnite Solar products are assembled under the watchful eye of Midnite the cat.

## Optional Accessories



### MNBirdhouse

- Located at ground level, the Birdhouse provides a safe means to disconnect high voltage PV arrays from MidNite Disconnecting and Arc Fault combiners
- Hard wired connection gives positive feedback that the Disconnect on the roof has actually been thrown. Connection is via 600/1000v Cat 5 USE-2 cable
- Up to four separate means of power including battery backup insures that the disconnect will be tripped when the button is pushed
- Voice and L.E.D. confirm level of safety (day or night) to the person pushing the button
- Nema 3R UV resistant enclosure
- Able to disconnect multiple PV Disco Arcfault Combiners
- Firefighter Approved
- 600V Cat 5 USE-2 90° cable available from Midnite Solar



When using the Birdhouse with any one of the Disco combiners you must also add the **MNDiscoPSB** Power Supply Board. The Power Supply Board is already incorporated into the Arc Fault combiners. The Power Supply Board does not need to be added when using the Birdhouse with Arc Fault combiners or an external power supply.



## Installing the MNDiscoPSB Power Supply PCB:

You will need:

3/16" Slotted screwdriver, #1 Phillips screwdriver, Wire strippers, ¼" nutdriver and a wire crimper to attach lugs.

Included in the MNDiscoPSB Kit.

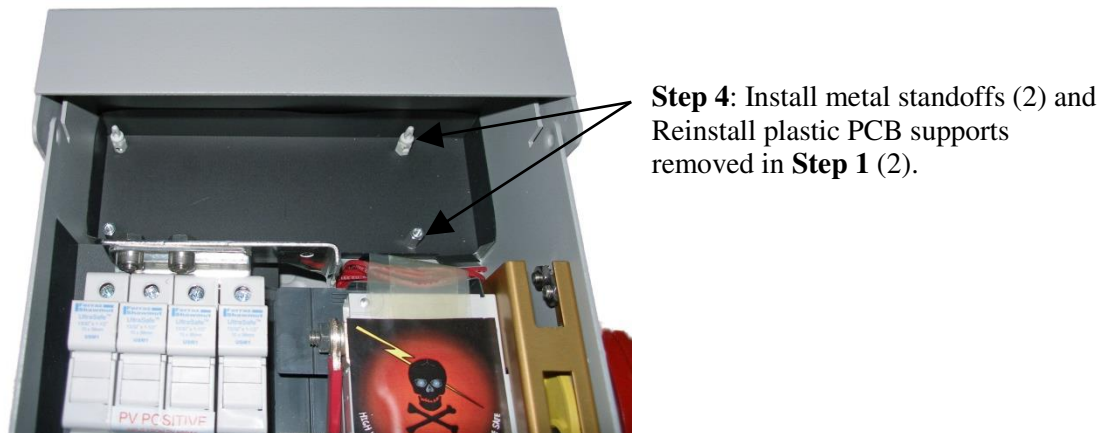
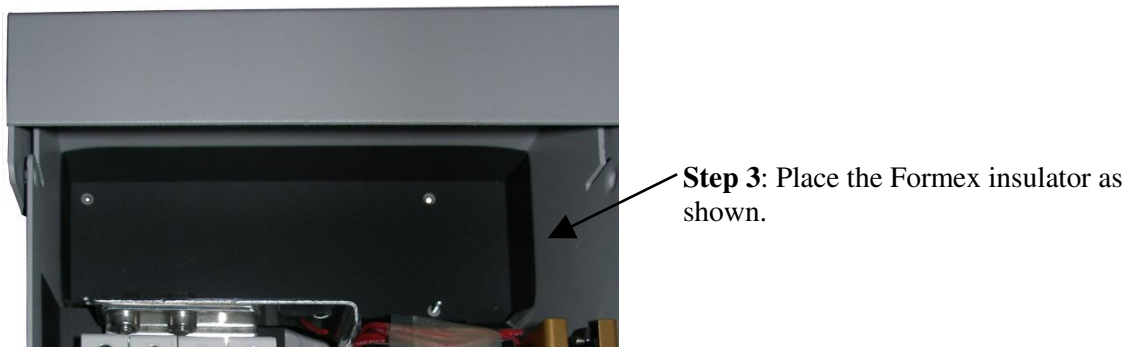
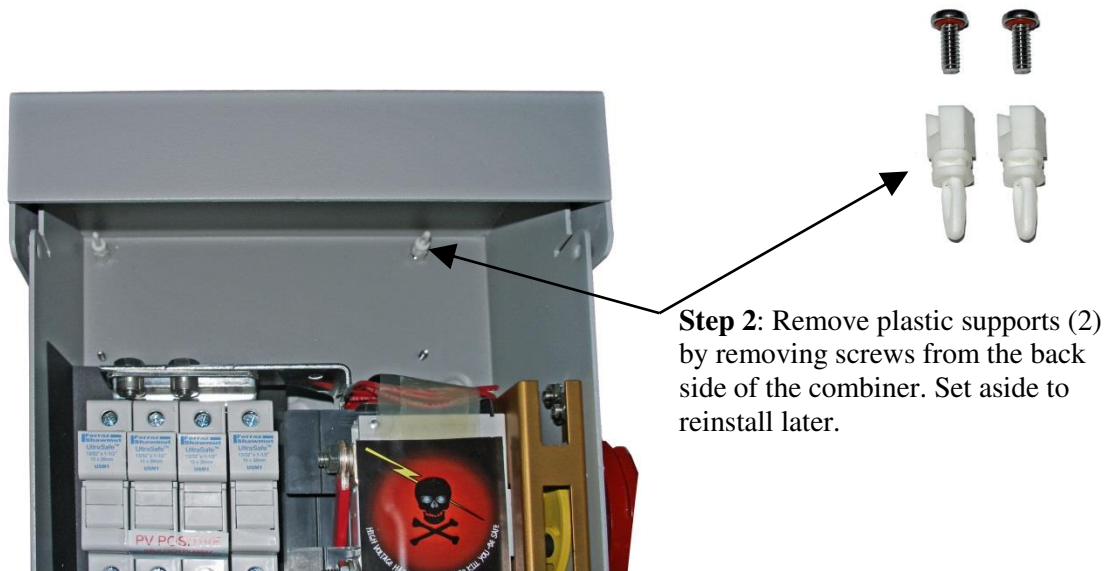


Parts included with MNDiscoPSB kit.

Qty	Description	MidNite Solar PN
1	PCB MNDiscoPSB	8-037-10
1	Formex Insulator	5-144-1
1	Wire 18 AWG Red	9-367-1
1	Wire 18 AWG White	9-390-1
1	Double Ferrule	6-166-1
2	Terminal 18-22 AWG	6-168-1
2	Screw 6-32	6-060-1
2	Standoff ½ Inch	6-154-1

## Installing the MNDiscoPSB Power Supply PCB: Continued

**Step 1:** Remove the top cover and deadfront (Page 3).



## Installing the MNDiscoPSB Power Supply PCB: Continued



**Note:**

Circuit board is shown without non-removable clear cover.

**Step 5A:**

Set board in place as shown.



**Step 5B:**

Secure board with 6-32 screws (2).

Loosen wire bundle from switch  
Trim wires to 5" and strip 1/4"



**Step 6:** Connect the two black wires to  
The left side of the terminal block  
marked "BK1" and "BK2".  
Connect the two red wires to the right  
side of the terminal block marked  
"S1" and "S2".

## Installing the MNDiscoPSB Power Supply PCB: Continued



**Step 7:** Strip one end on the red and white wires included in the kit ¼” and connect them as shown with the red wire on the left side of the terminal block marked “PV+” and the white wire on the right side marked “PV-“. Route the wires downward under the large switch.

### **Step 8:**

Installing the included MNSPD Surge protector with the MNDiscoPSB.

First, select the mounting location for the MNSPD. There are several knockouts located on the sides and bottom that can be used for this. Remove the desired knockout, pull the MNSPD wires through and secure with the supplied nut.

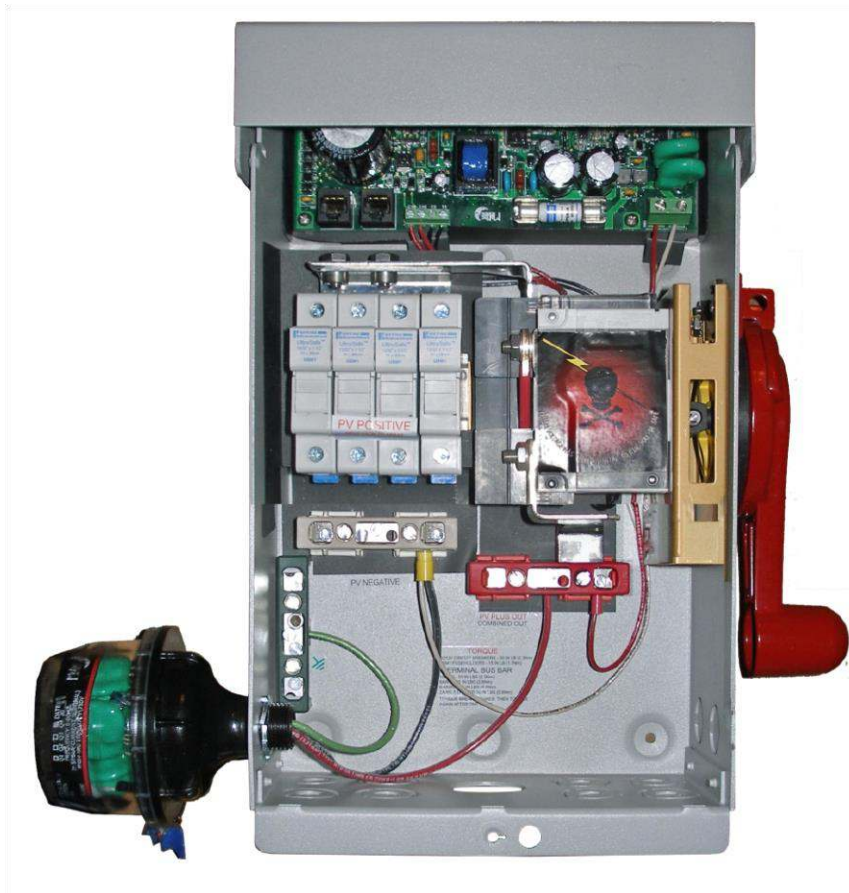


MNSPD Shown installed in left side knockout.

Crimp one of the small red terminals on the red wire from the circuit board terminal block. Be sure to make a strong secure connection. The purpose of this terminal is to allow the 18 AWG wire to be held securely into the terminal strip.

The white wire from the circuit board terminal block may be crimped into the yellow terminal along with the black wire from the MNSPD or it may be crimped by itself into the second red terminal.

## Installing the MNDiscoPSB Power Supply PCB: Continued



**Step 9:**

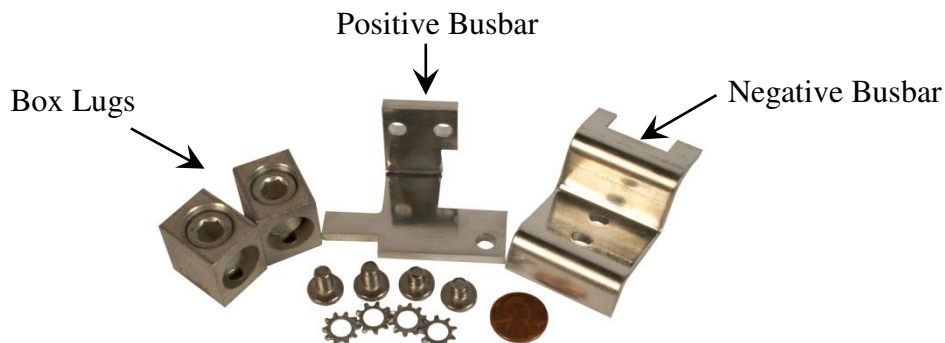
Verify your work then replace deadfront and top cover.

MNPVHV4 TYPE 3R Shown wired with MNDiscoPSB power supply board and MNSPD surge protector.



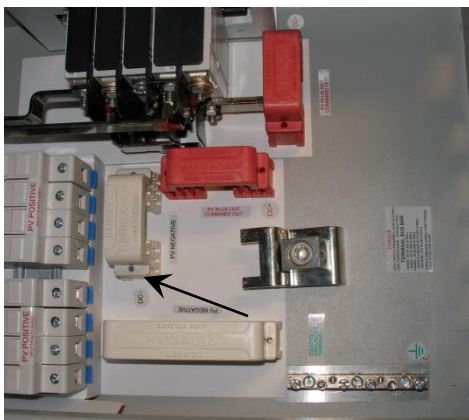
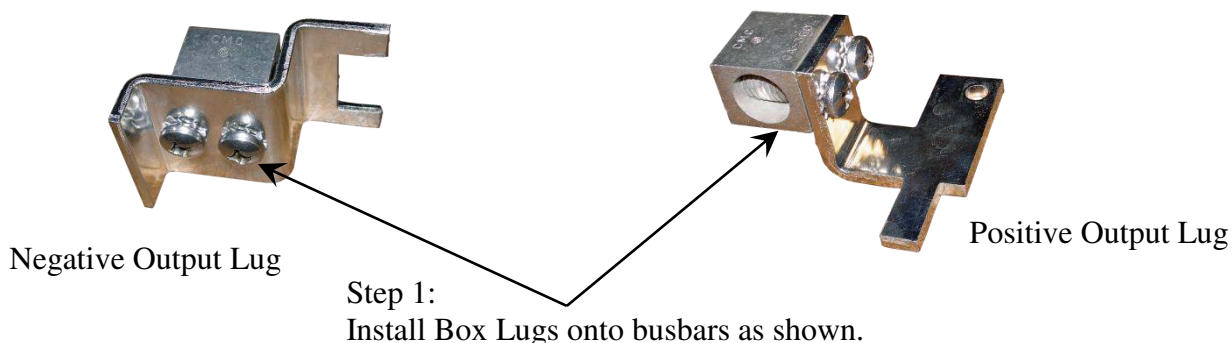
## MNPV8HVMCM300 Adaptor Kit

The MNPV8HVMCM300 adaptor kit is available for the MNPV8HV to allow the use of larger output wires, up to 300 MCM. If required, new units ship with this kit installed.



### MNPV8HVMCM300 Adaptor Kit

Penny shown for reference of scale



Step 2:  
Remove white plastic cover from the negative output Busbar. Loosen two outer (large) screws. Position Busbar and Lug assembly into Negative output terminal busbar.

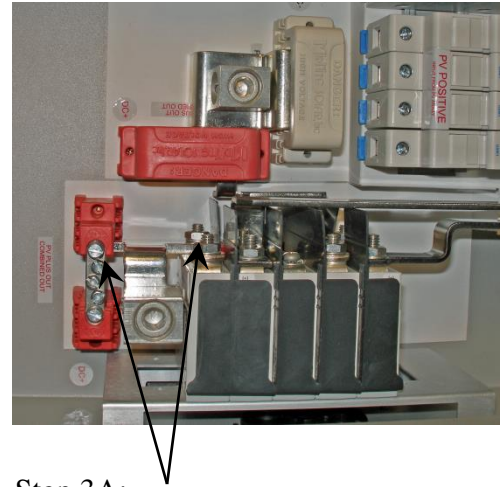


Step 2A:  
Tighten Busbar and Lug assembly. Replace White Plastic cover. Refer to torque chart on page 4.

## MNPVHV Disco Instructions (continued)



**Step 3:**  
Remove red plastic cover from the Positive output terminal Busbar.  
Remove existing Positive output Busbar.



**Step 3A:**  
Install Busbar and Lug assembly and tighten. Refer to the torque chart on page 4  
Replace Red plastic cover.  
It may be necessary to loosen the Positive Output Terminal Busbar to remove / reinstall busbars.

The MNPV8HV is now ready to accept up to 300 MCM output wires.



MNPV8HVMCM300 Kit fully installed.

## MNPVHV Disco Instructions (continued)

**MNPV4HV TYPE 3R, INCLUDED/REPLACEMENT PARTS: MIDNITE SOLAR PART NUMBER**

1 EACH DEADFRONT	5-101-1
4 EACH LOCKNUT ½ INCH	6-092-1
4 EACH FUSES,	9-084-1
4 EACH STRAIN RELIEF	9-458-2

**MNPV6HV TYPE 4X, INCLUDED/REPLACEMENT PARTS: MIDNITE SOLAR PART NUMBER**

6 EACH BLACK TWO WIRE STRAIN RELIEFS,	9-458-2
10 EACH ½ INCH NUTS,	5-147-1
SURGE PROTECTION DEVICE	MNSPD 600V
6 EACH FUSES,	9-084-1
DEADFRONT	5-120-1
HOLE PLUG	5-146-1
WASHER	5-149-1

**MNPV8HV TYPE 3R, INCLUDED/REPLACEMENT PARTS: MIDNITE SOLAR PART NUMBER**

8 EACH BLACK TWO WIRE STRAIN RELIEFS,	9-458-2
8 EACH ½ INCH NUTS,	9-458-2
SURGE PROTECTION DEVICE	MNSPD 600V
BUSBAR, NEGATIVE OUT	3-272-1
BUSBAR, NEGATIVE / POSITIVE OUT	3-315-1
8 EACH FUSES,	9-084-1
DEADFRONT	5-112-1

**MNPV8HV TYPE 4X, INCLUDED/REPLACEMENT PARTS: MIDNITE SOLAR PART NUMBER**

8 EACH BLACK TWO WIRE STRAIN RELIEFS,	9-458-2
14 EACH ½ INCH NUTS,	5-147-1
SURGE PROTECTION DEVICE	MNSPD 600V
BUSBAR, NEGATIVE OUT	3-272-1
BUSBAR, NEGATIVE / POSITIVE OUT	3-315-1
8 EACH ½" NPT STRAIGHT HOLE PLUG	5-146-1
CONDUIT ADAPTOR ¾" – ½"	5-118-1
CONDUIT ADAPTOR NUT	5-119-1
CONDUIT ADAPTOR GASKET	5-126-1
8 EACH FUSES,	9-084-1
DEADFRONT	5-112-1

**MNPV16HV TYPE 4X, INCLUDED/REPLACEMENT PARTS: MIDNITE SOLAR PART NUMBER**

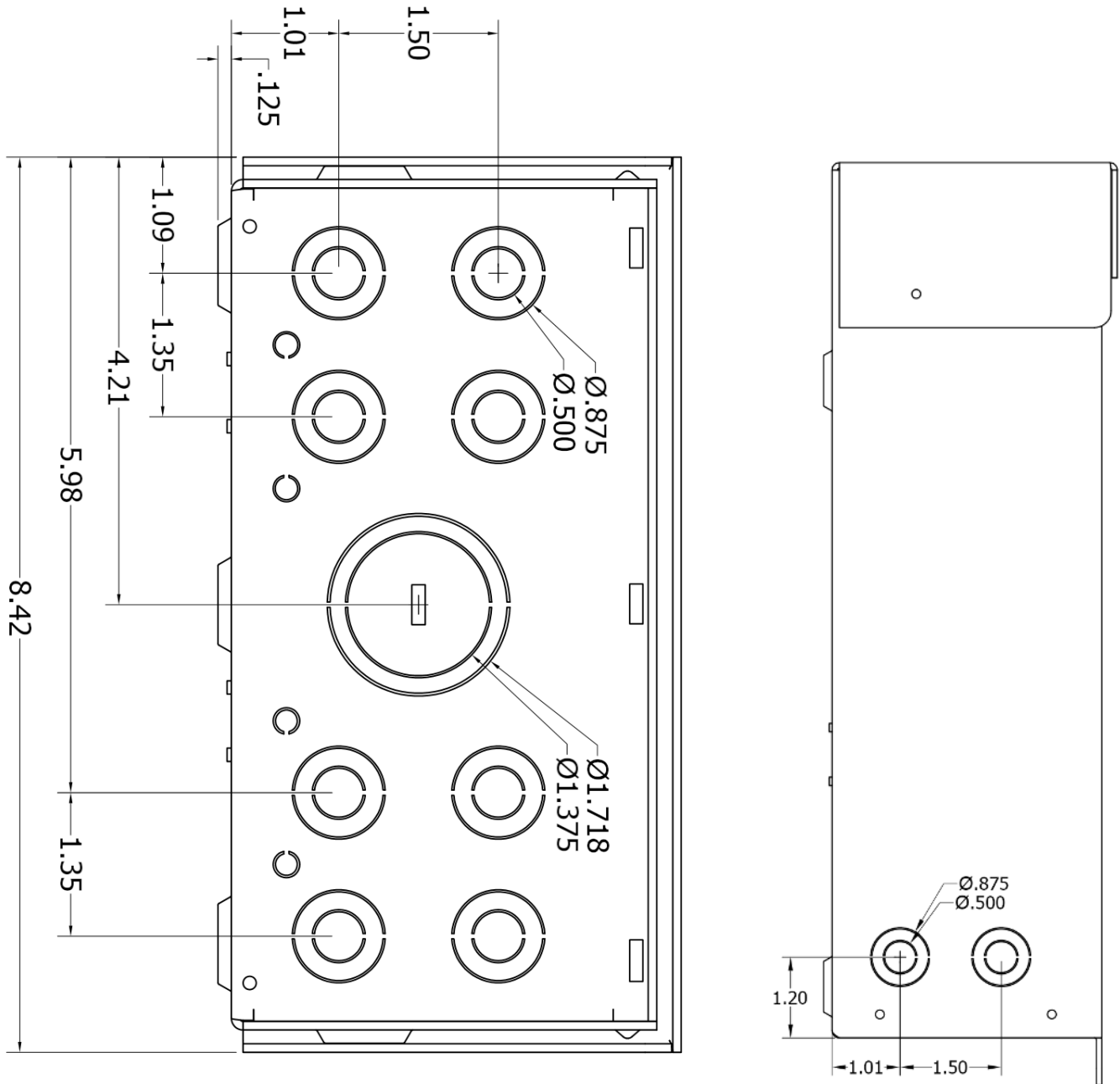
16 STRAIN RELIEFS	9-458-2
28 EACH ½ INCH NUTS,	5-147-1
SURGE PROTECTION DEVICE	MNSPD 600V
BUSBAR,	3-295-1
BUSBAR, OUT 3	3-321-1
CONDUIT ADAPTOR ¾" – ½"	5-118-1
CONDUIT ADAPTOR NUT	5-119-1
CONDUIT ADAPTOR GASKET	5-126-1
16 EACH FUSES,	9-084-1
DEADFRONT	5-125-1
HOLE PLUG	5-146-1
WASHER	5-149-1



# MNPVHV Disco Instructions (continued)

Appendix A

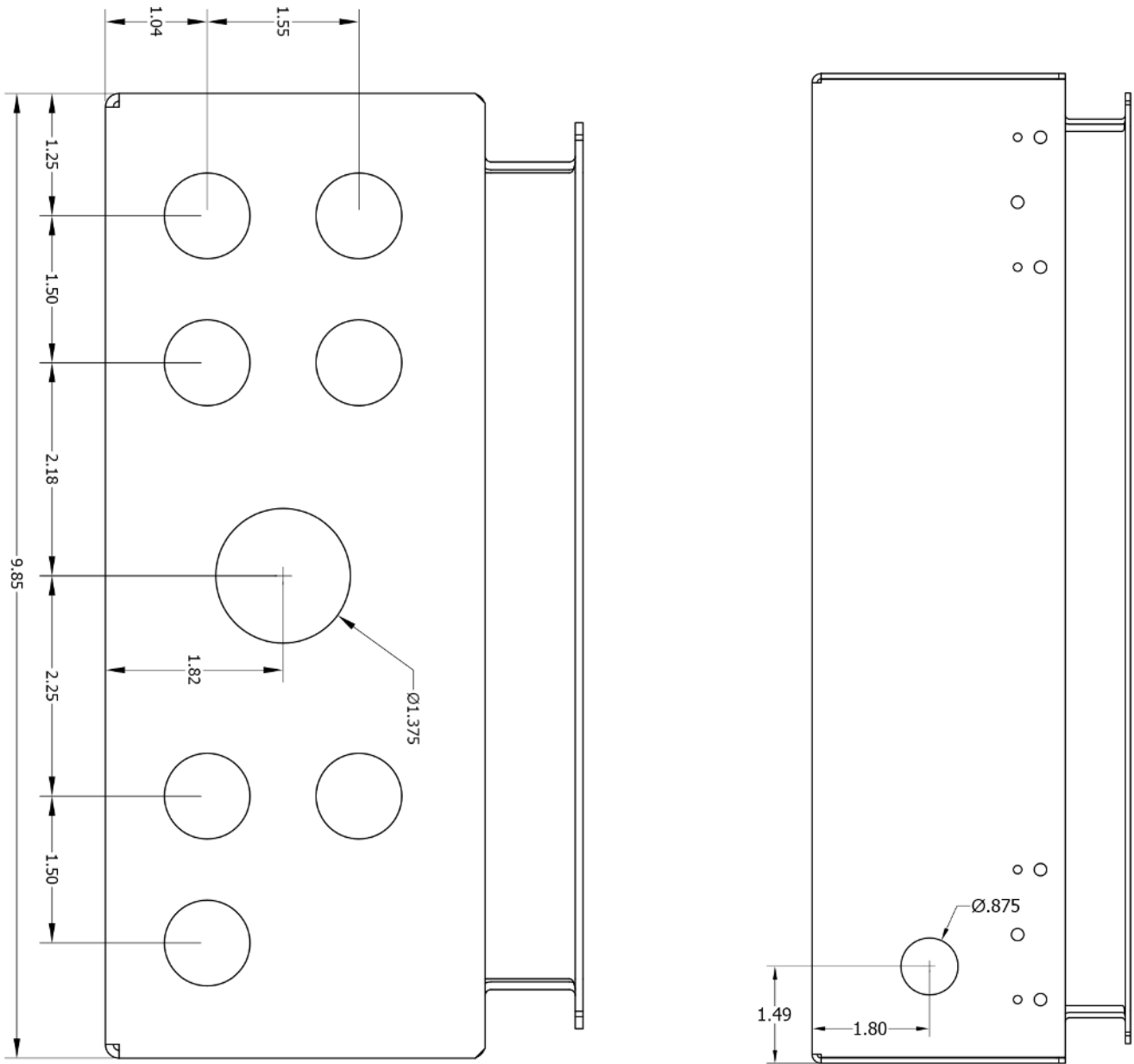
MNPV4HV



MNPV4HV Bottom and side knockout location and size  
No Scale

# MNPVHV Disco Instructions (continued)

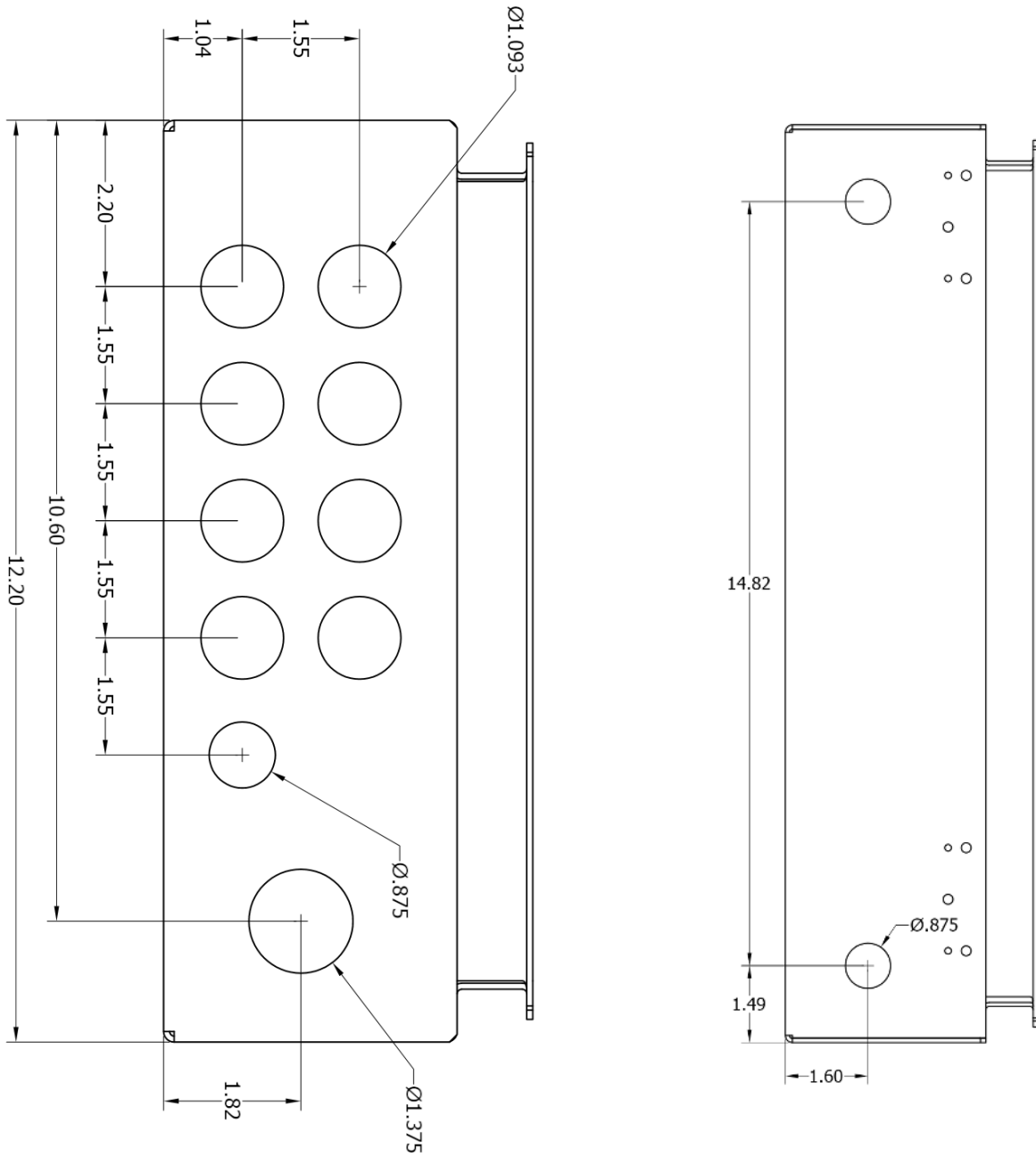
## MNPV6HV



MNPV6HV Bottom and side knockout location and size  
No Scale

# MNPVHV Disco Instructions (continued)

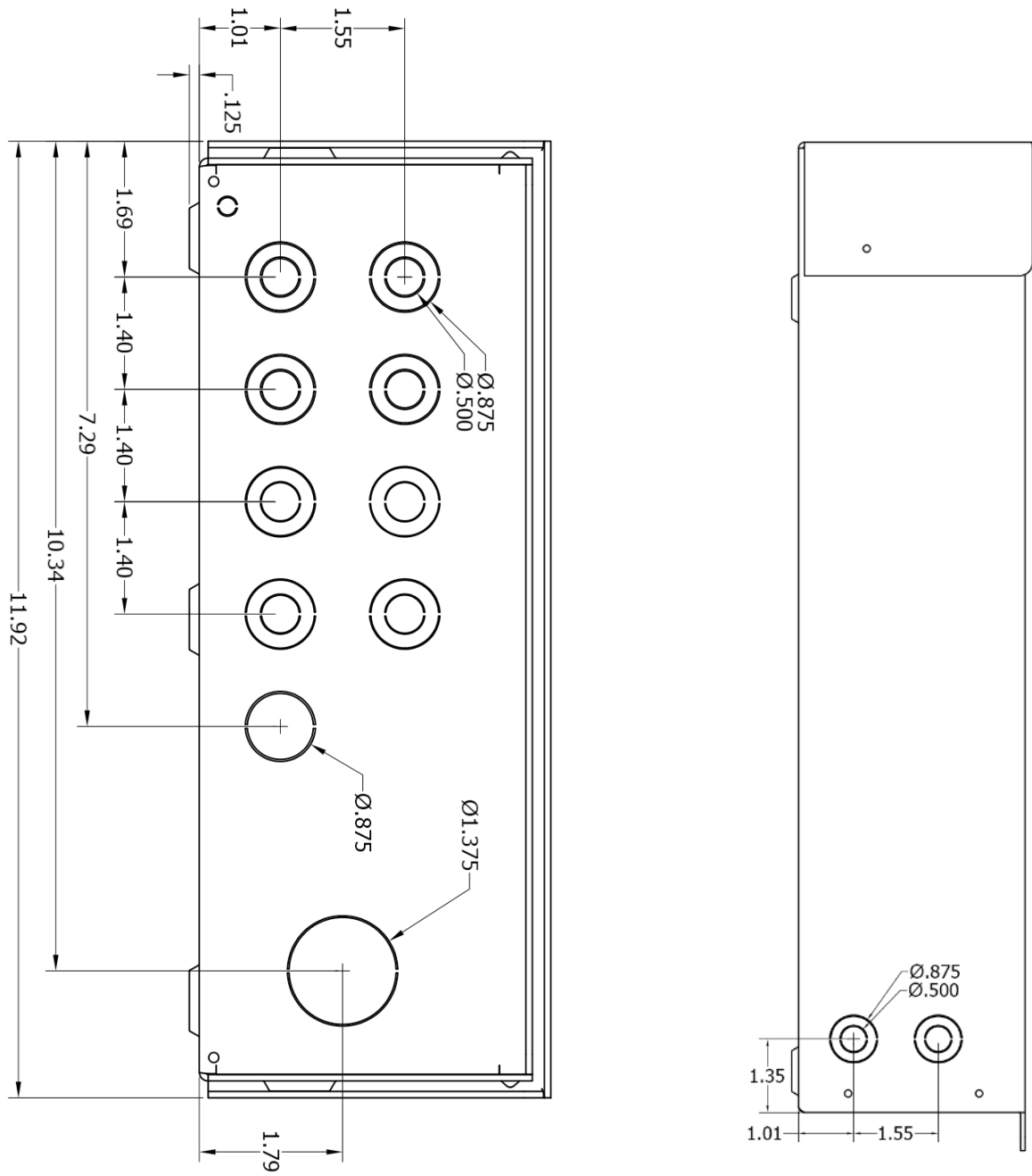
## MNPV8HV



MNPV8HV Type 4X Bottom and side knockout location and size  
No Scale

# MNPVHV Disco Instructions (continued)

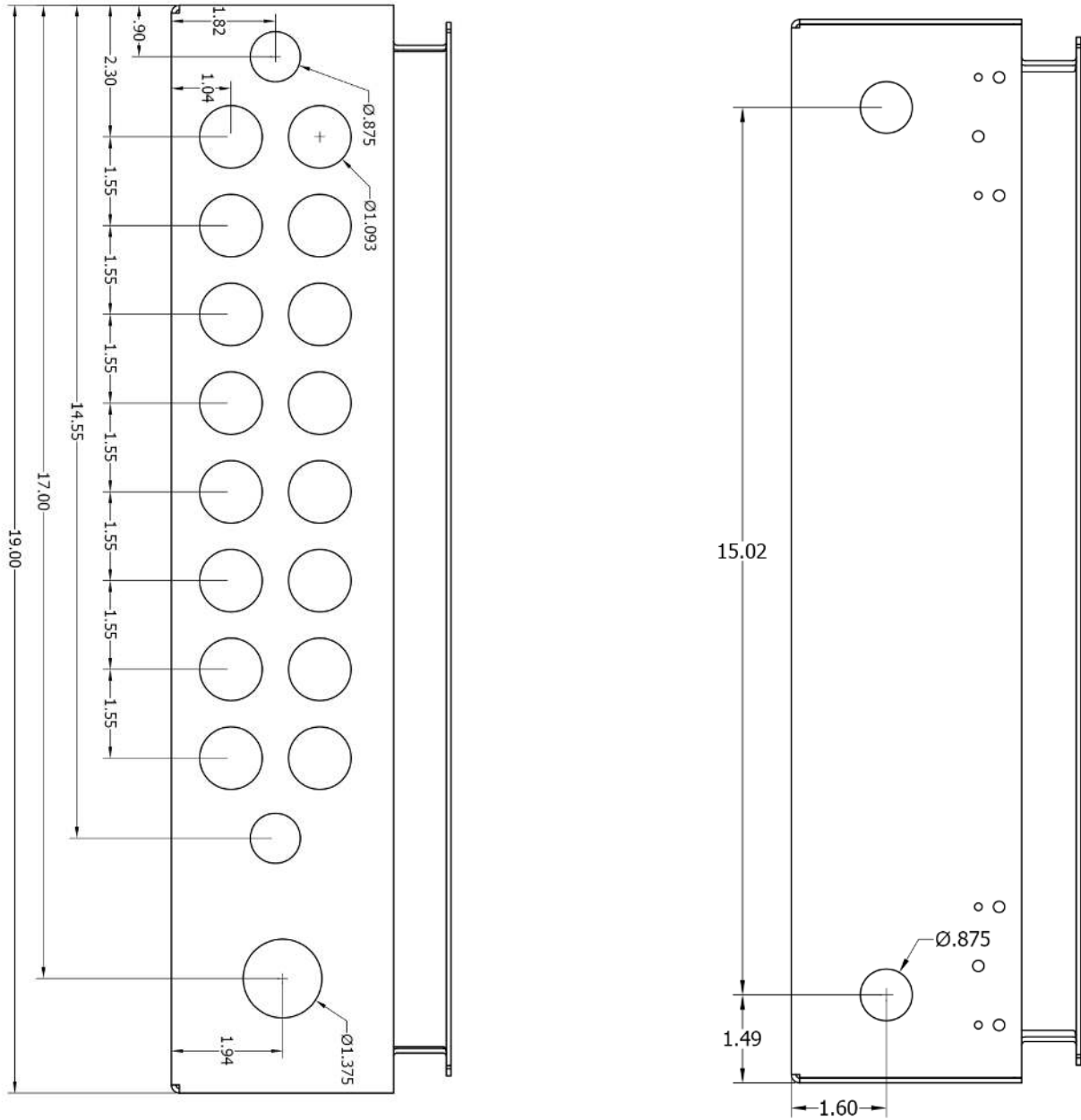
## MNPV8HV



MNPV8HV Type 3R Bottom and side knockout location and size  
No Scale

# MNPVHV Disco Instructions (continued)

## MNPV16HV



MNPV16HV Bottom and side knockout location and size  
No Scale

**MIDNITE SOLAR INC. LIMITED WARRANTY**  
**MidNite Solar Power electronics, sheet metal enclosures and accessories**

MidNite Solar Inc. warrants to the original customer that its products shall be free from defects in materials and workmanship. This warranty will be valid for a period of five (5) years for all products except the MNKID Charge Controller which will be two (2) years.

At its option, MidNite Solar will repair or replace at no charge any MidNite product that proves to be defective within such warranty period. This warranty shall not apply if the MidNite Solar product has been damaged by unreasonable use, accident, negligence, service or modification by anyone other than MidNite Solar, or by any other causes unrelated to materials and workmanship. The original consumer purchaser must retain original purchase receipt for proof of purchase as a condition precedent to warranty coverage. To receive in-warranty service, the defective product must be received no later than two (2) weeks after the end of the warranty period. The product must be accompanied by proof of purchase and Return Authorization (RA) number issued by MidNite Solar. For an RMA number contact MidNite Solar Inc., 17722 67<sup>th</sup> Ave NE, Arlington, WA 98223 (360) 403-7207.

Purchasers must prepay all delivery costs or shipping charges to return any defective MidNite Solar product under this warranty policy. Except for the warranty that the products are made in accordance with, the specifications therefore supplied or agreed to by customer:

MIDNITE SOLAR MAKES NO WARRANTY EXPRESSED OR IMPLIED, AND ANY IMPLIED WARRANTY OF MERCHANTABILITY OR FITNESS FOR A PARTICULAR PURPOSE WHICH EXCEEDS THE FOREGOING WARRANTY IS HEREBY DISCLAIMED BY MIDNITE SOLAR AND EXCLUDED FROM ANY AGREEMENT MADE BY ACCEPTANCE OF ANY ORDER PURSUANT TO THIS QUOTATION. MIDNITE SOLAR WILL NOT BE LIABLE FOR ANY CONSEQUENTIAL DAMAGES, LOSS OR EXPENSE ARISING IN CONNECTION WITH THE USE OF OR THE INABILITY TO USE ITS GOODS FOR ANY PURPOSE WHATSOEVER. MIDNITE SOLAR'S MAXIMUM LIABILITY SHALL NOT IN ANY CASE EXCEED THE CONTRACT PRICE FOR THE GOODS CLAIMED TO BE DEFECTIVE OR UNSUITABLE.

Products will be considered accepted by customer unless written notice to the contrary is given to MidNite Solar within ten (10) days of such delivery to customer. MIDNITE SOLAR is not responsible for loss or damage to products owned by customer and located on MIDNITE SOLAR'S premises caused by fire or other casualties beyond MIDNITE SOLAR'S control. This warranty is in lieu of all other warranties expressed or implied.

MIDNITE SOLAR INC. 17722 67<sup>TH</sup> AVE NE ARLINGTON, WA 98223

Email:

info@midnitesolar.com

PH: 360.403-7207 FAX: 360-691-6862