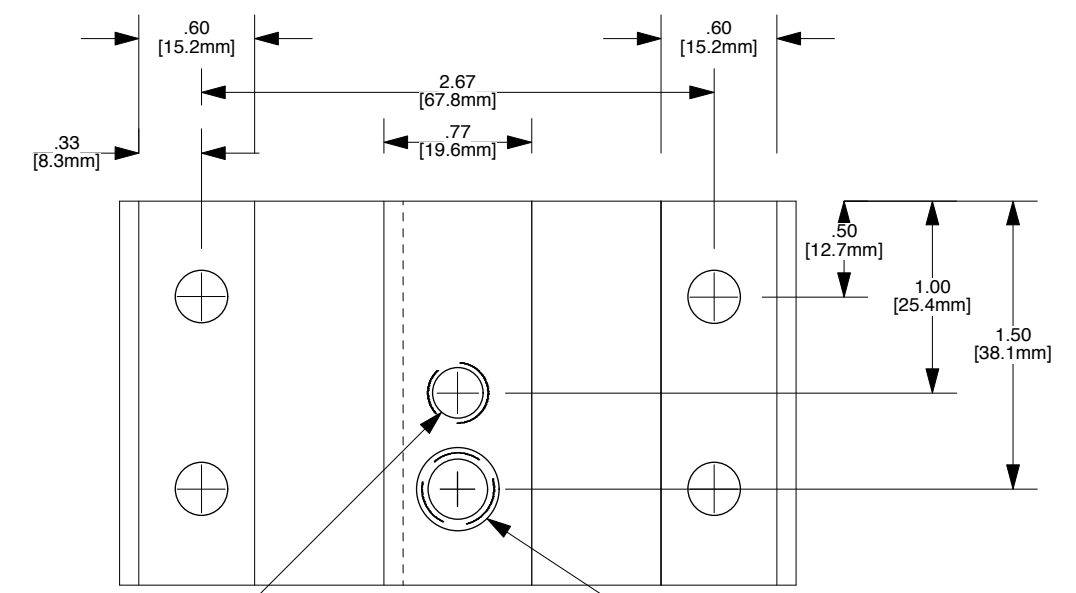


BOTTOM

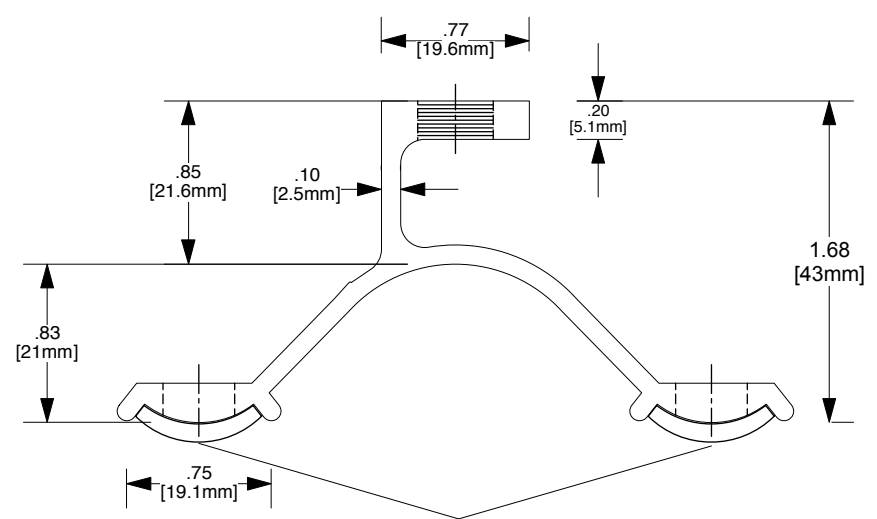
Ø .28 4X
[Ø 7mm]



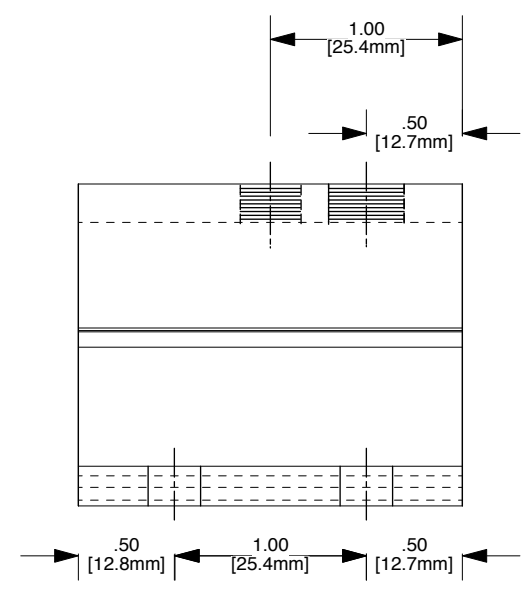
TOP

M8x1.25 THREADED HOLE

M10x1.5 THREADED HOLE

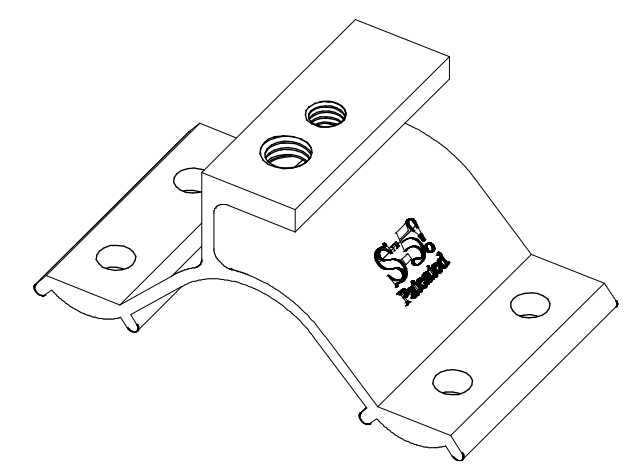


FACTORY APPLIED
BUTYL SEALANT
DIM: 3/4" X 1/8"



LEFT

RIGHT



S-5!™ PRODUCTS ARE PROTECTED BY MULTIPLE U.S. AND EUROPEAN PATENTS. METAL ROOF INNOVATIONS, LTD. (LICENSOR OF S-5!™ TECHNOLOGY) AGGRESSIVELY PROSECUTES PATENT INFRINGEMENT.

FINISH: Mill, Tumble Deburr
CUT LENGTH: 2"
ALLOY: 6061 T6
EST. AREA:
EST. WT/FT:

S-5! Unprecedented Innovation
Unmatched Quality
Unbelievable Price

S-5! ATTACHMENT SOLUTIONS
METAL ROOF INNOVATIONS, LTD.
8655 TABLE BUTTE ROAD
COLORADO SPRINGS, CO 80908
(888) 825-3432
(719) 495-0045 (FAX)

TITLE
S-5! CorruBracket™

DRAWING NO. CB-30-A-0-G	DRAWN BY DMMH	DATE 3.13.10
-----------------------------------	-------------------------	------------------------

SCALE **NTS** FILE NAME **CB-30-A-0-G**