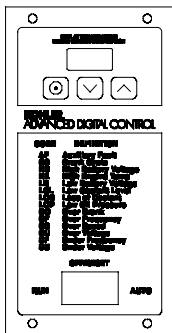


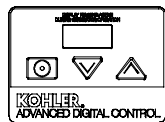


OnCue User Interface Screen (ADC 2100 version shown)

ADC 2100 Control



ADC-RES Control



Kohler® OnCue™ Generator Management System

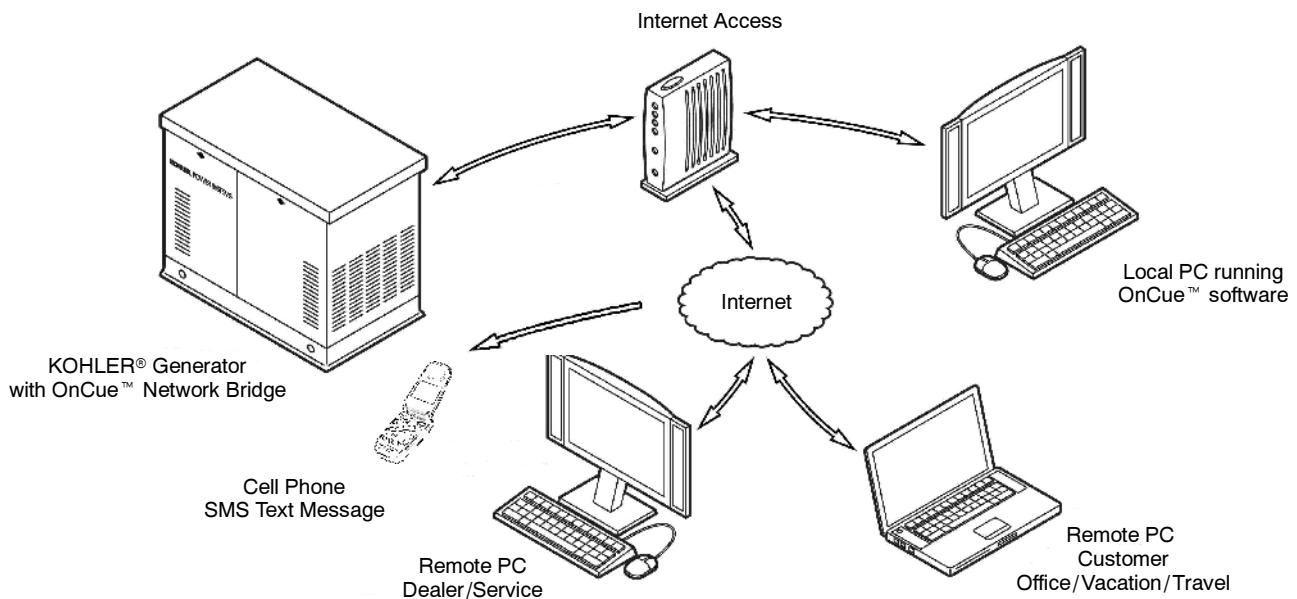
OnCue™ Features

- Check your Kohler generator status via a computer.
- Access from multiple computers via the Internet.
- Start or stop your generator set from your computer.
- Clear faults from your computer.
- Receive generator set start/stop and fault messages by email or SMS text message. *
- See balloon-tip fault messages on your PC indicating generator set faults.
- View time- and date-stamped event history listing generator set starting and stopping, faults, and notifications.
- Remote start/stop functions are password protected.
- Bridge can be mounted inside the generator set enclosure or inside your home (maximum distance 36.6 m [120 ft.]).
- OnCue™ software runs automatically after the PC is restarted or rebooted.

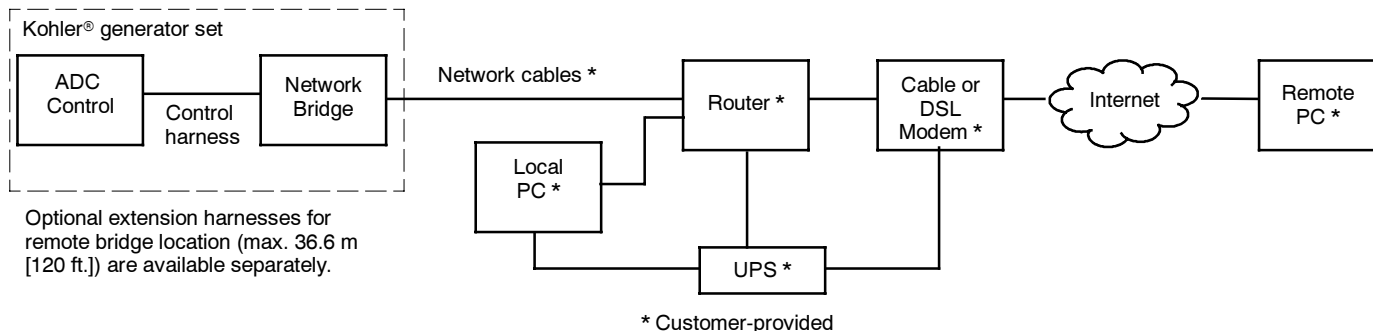
* Computer must be running to send email or text messages. Cable or DSL modem for Internet access required.

Applicable Models

- 8.5/12RES with ADC-RES control
- 17/18RES with ADC-RES control
- 15/30RES with ADC 2100 control
- 15/30RYG with ADC 2100 control



Typical Connections



View Generator Operation Data

- Generator set running or stopped
- Generator output voltage, VAC
- Generator output frequency, Hz
- Engine speed, RPM
- Engine temperature, °F (ADC 2100 only)
- Engine starting battery voltage, VDC
- Engine runtime, hours
- Fault indication with description
- Balloon-tip notification of faults when the user interface is minimized
- Generator operation event history

Network Bridge Specifications

- Environmental specifications:
 - Operating temperature: -40°C to 70°C (-40°F to 158°F)
 - Storage temperature: -40°C to 85°C (-40°F to 185°F)
 - Humidity: 5-95% non-condensing
- Power requirements:
 - Powered by the generator set engine starting battery
 - Maximum power draw 2.5 W
 - 8-36 VDC with fuse protection
- Standard RJ45 jack for network connection
- Terminal block for generator connection (harness provided)
- Status-indicating LEDs
- Standard 10/100 Ethernet
- FCC Class A compliant
- Dimensions, L x W x H, mm (in):
111 x 79 x 32 (4.4 x 3.1 x 1.25)
- Weight: 0.5 kg (1 lb.)

OnCue™ System Kit

- OnCue™ network bridge with mounting hardware
- OnCue™ network bridge to control harnesses
- OnCue™ software CD-ROM
- Installation instructions
- Operation manual
- Optional extension harnesses for remote bridge installation (maximum 36.6 m [120 feet]) are available separately

System Requirements

- Personal computer (PC) with Microsoft® Windows Vista® or Windows XP®
- 512 MB of RAM
- Up to 500 MB of available hard disk space may be required
- Always-on Internet access (for example, cable or DSL Internet service)
- Internet router and network cable for network bridge connection to Ethernet (For remote access, the router must have port forwarding capability. Dynamic DNS capability is also recommended.)
- UPS backup to maintain computer power recommended

Microsoft®, Windows XP®, and Windows Vista® are registered trademarks of Microsoft Corporation.

Balloon-Tip Fault Message



DISTRIBUTED BY:

Availability is subject to change without notice. Kohler Co. reserves the right to change the design or specifications without notice and without any obligation or liability whatsoever. Contact your local Kohler® generator distributor for availability.