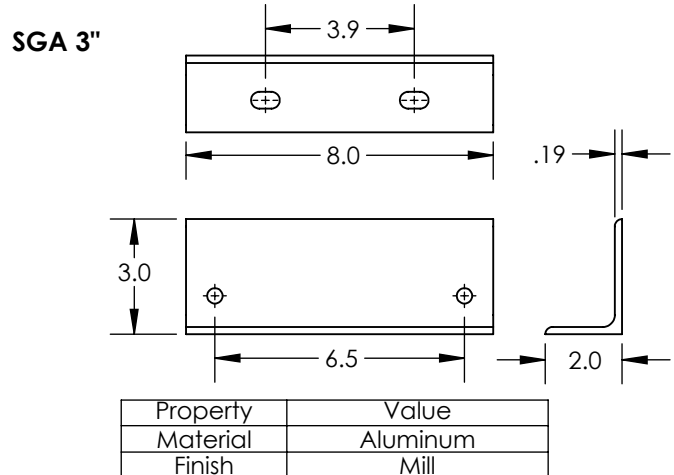
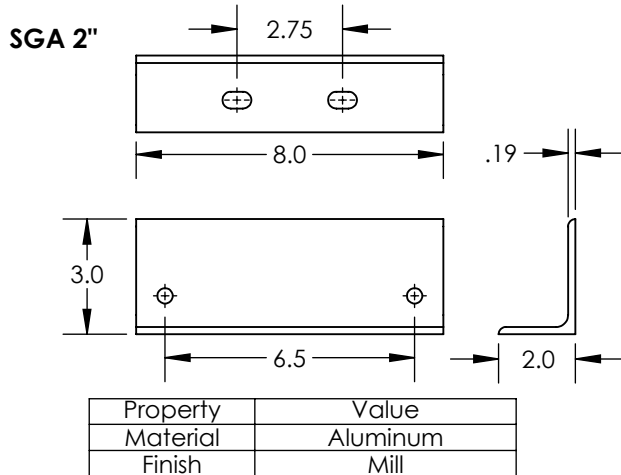


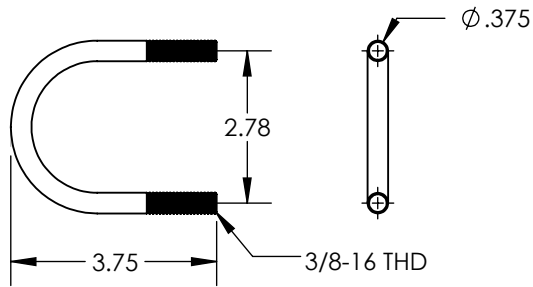
Item Number	Component	Qty in Kit
1	FOOT, PIPE ATTACHING BRKT	1
2	UBOLT, CUSTOM SGA PIPE	1
3	WASHER, FLAT 3/8 GALV	2
4	WASHER, LOCK 3/8 GALV	2
5	NUT, HEX 3/8-16 GALV	2
6	BOLT, 3/8-16 X 0.75" HEX CS SST	2
7	NUT, FLANGE HEX 3/8-16 SS	2

Part Number	Description
29-7001-001	SGA Rail Connector at 2"
29-7001-000	SGA Rail Connector at 3"

1) Foot, Pipe Attaching Bracket

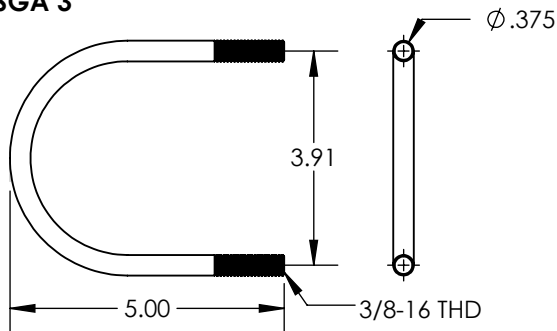


2) U-bolt, Custom SGA Pipe
SGA 2"



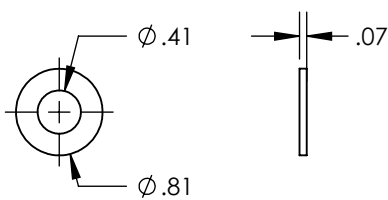
Property	Value
Material	Steel
Finish	Hot-Dip Galvanized

SGA 3"



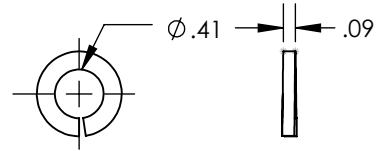
Property	Value
Material	Steel
Finish	Hot-Dip Galvanized

3) Washer, Flat 3/8 Galv



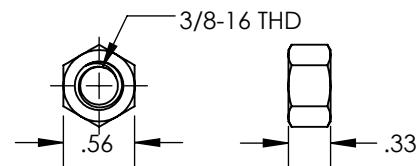
Property	Value
Material	Steel
Finish	Hot-Dip Galvanized

4) Washer, Lock 3/8 Galv



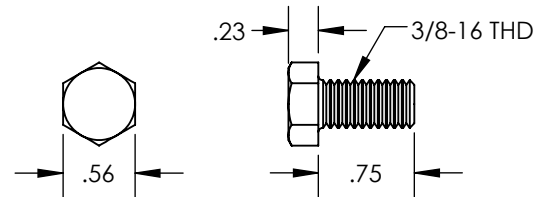
Property	Value
Material	Steel
Finish	Hot-Dip Galvanized

5) Nut, Hex 3/8-16 Galv



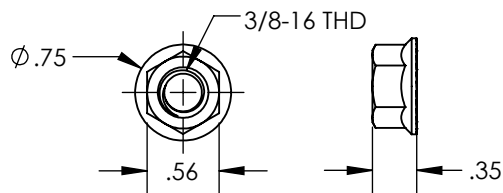
Property	Value
Material	Steel
Finish	Hot-Dip Galvanized

6) Bolt, 3/8-16 x 0.75" Hex CS SST



Property	Value
Material	Stainless Steel
Finish	Clear

7) Nut, Flange Hex 3/8-16 SS



Property	Value
Material	Stainless Steel
Finish	Clear