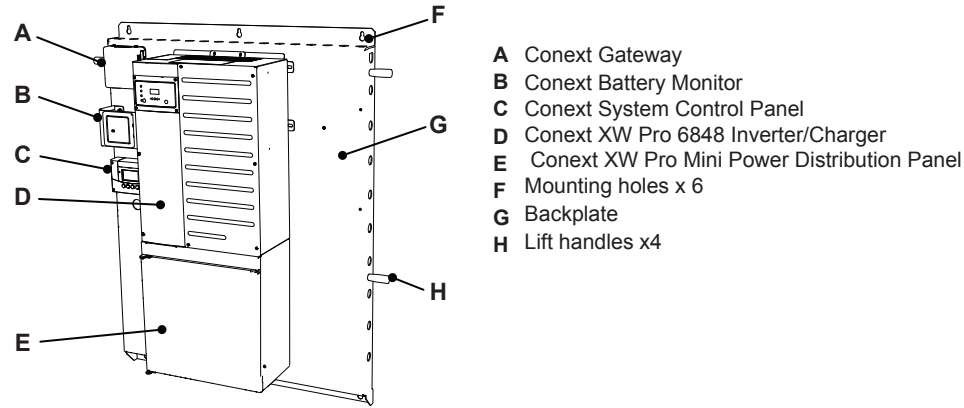


Quick Start Guide



B Introduction

The Conext Quick Fit XW Pro consists of an Inverter/Charger and a selection of Conext solar accessories that are designed to be an integral part of any utility grid-connected PV Power System. The Conext Quick Fit XW Pro is preassembled on a backplate for quick and easy installation.



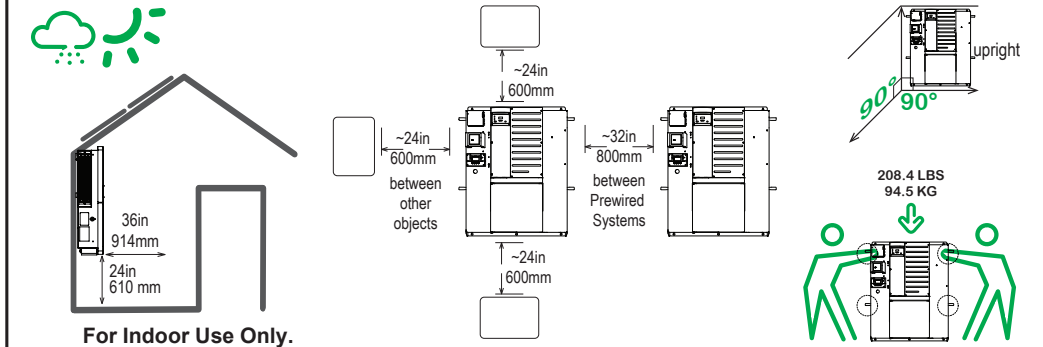
NOTE: All components except the lift handles are supplied pre-assembled.

C Tools and Equipment

The following materials and tools are not supplied but are required to complete the installation:

- Personal protective equipment (PPE)
- Voltage meter
- Locks and tags
- Screwdriver and drill set (powered and manual)
- 3/8 in mounting screws (x6)
- Motorized hand trucks and/or portable crane system
- Cable crimper
- Cable cutter

D Installation – Specifications



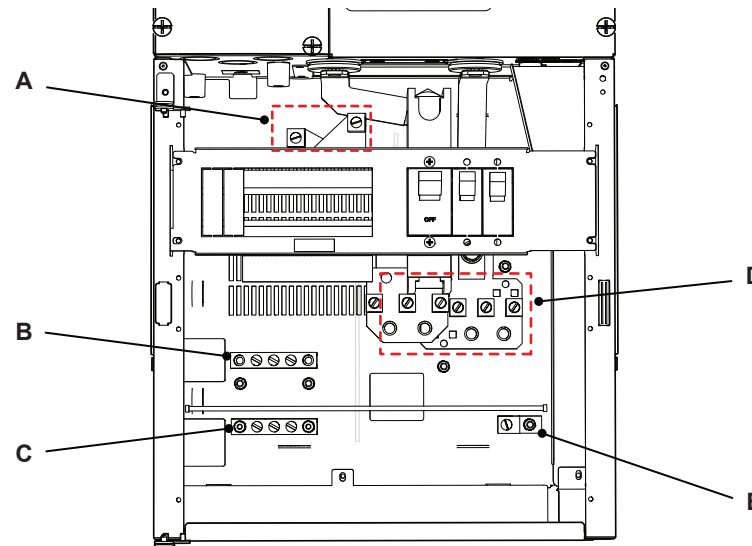
B1 Introduction – Wiring Connections

⚠ DANGER

HAZARD OF ELECTRIC SHOCK, EXPLOSION, OR ARC FLASH

This document is in addition to, and incorporates by reference, the relevant product manuals for each individual device on the Conext Quick Fit XW Pro. Before reviewing this document, you must read the relevant product manuals. Unless specified, information on safety, specifications, installation and operation is as shown in the primary documentation for each device. Ensure you are familiar with that information before proceeding.

Failure to follow these instructions will result in death or serious injury.



- A AC (grid) terminals (L1, L2)
- B AC Neutral bus bar
- C AC Ground bus bar
- D Battery+ and Battery- terminals
- E Chassis ground terminals

NOTE: The Network Terminators are located on the Conext Gateway and Conext Battery Monitor.

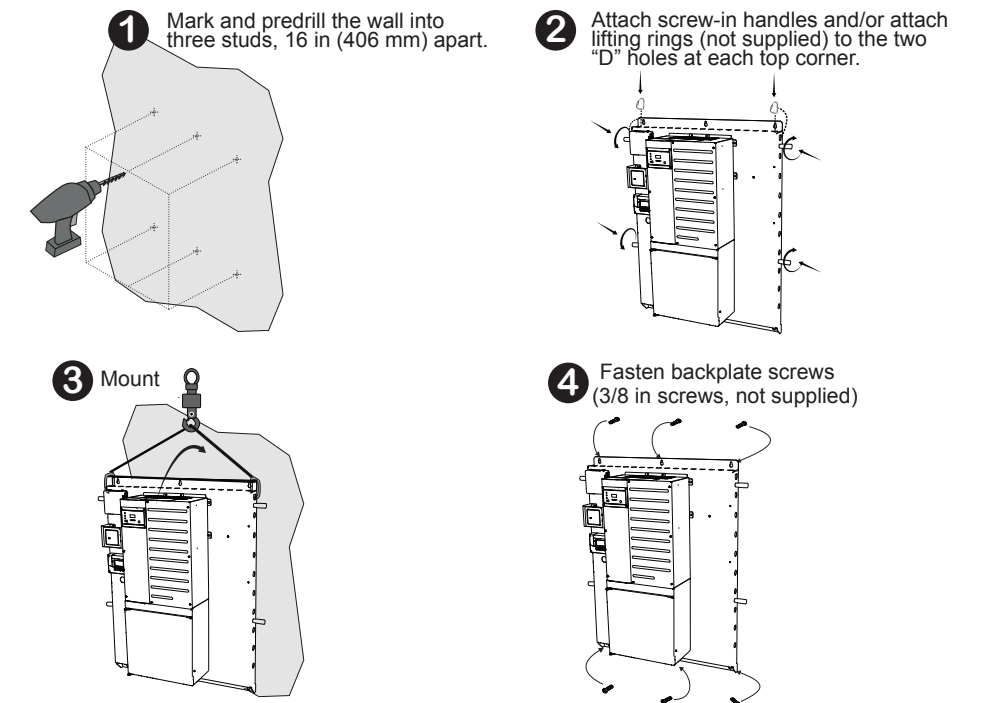
D1 Installation – Mounting

⚠ WARNING

HAZARD OF CRUSH INJURY AND EQUIPMENT DAMAGE

- At least two people are required to lift this equipment. Use of appropriate lift equipment is recommended.
- Lift equipment must be able to support a minimum of 208.4 lbs (94.5 kg).
- For structural and seismic stability, this equipment must be mounted onto a vertical supporting surface strong enough to support a minimum of 690 lbs (313 kg), and with mounting hardware that can also support this weight.

Failure to follow these instructions can result in death, serious injury, or equipment damage.



A Safety Information

Important Information

Read these instructions carefully and look at the equipment to become familiar with the device before trying to install, operate, service or maintain it. The following special messages may appear throughout this documentation or on the equipment to warn of potential hazards or to call attention to information that clarifies or simplifies a procedure.

The addition of either symbol to a "Danger" or "Warning" safety label indicates that an electrical hazard exists which will result in personal injury if the instructions are not followed.

This is the safety alert symbol. It is used to alert you to potential personal injury hazards. Obey all safety messages that follow this symbol to avoid possible injury or death.

⚠ DANGER

DANGER indicates a hazardous situation which, if not avoided, will result in death or serious injury.

⚠ WARNING

WARNING indicates a hazardous situation which, if not avoided, can result in death or serious injury.

Please Note

Electrical equipment should be installed, operated, serviced, and maintained only by qualified personnel. No responsibility is assumed by Schneider Electric for any consequences arising out of the use of this material. A qualified person is one who has skills and knowledge related to the construction, installation, and operation of electrical equipment and has received safety training to recognize and avoid the hazards involved.

Conventions Used

A Section **1** Step Safety Direction Expand **A** Label

Exclusion for Documentation

UNLESS SPECIFICALLY AGREED TO IN WRITING, SELLER (A) MAKES NO WARRANTY AS TO THE ACCURACY, SUFFICIENCY OR SUITABILITY OF ANY TECHNICAL OR OTHER INFORMATION PROVIDED IN ITS MANUALS OR OTHER DOCUMENTATION; (B) ASSUMES NO RESPONSIBILITY OR LIABILITY FOR LOSSES, DAMAGES, COSTS OR EXPENSES, WHETHER SPECIAL, DIRECT, INDIRECT, CONSEQUENTIAL OR INCIDENTAL, WHICH MIGHT ARISE OUT OF THE USE OF SUCH INFORMATION. THE USE OF ANY SUCH INFORMATION WILL BE ENTIRELY AT THE USER'S RISK; AND (C) REMINDS YOU THAT IF THIS MANUAL IS IN ANY LANGUAGE OTHER THAN ENGLISH, ALTHOUGH STEPS HAVE BEEN TAKEN TO MAINTAIN THE ACCURACY OF THE TRANSLATION, THE ACCURACY CANNOT BE GUARANTEED. APPROVED CONTENT IS CONTAINED WITH THE ENGLISH LANGUAGE VERSION WHICH IS POSTED AT WWW.SCHNEIDER-ELECTRIC.COM.

Contact Information

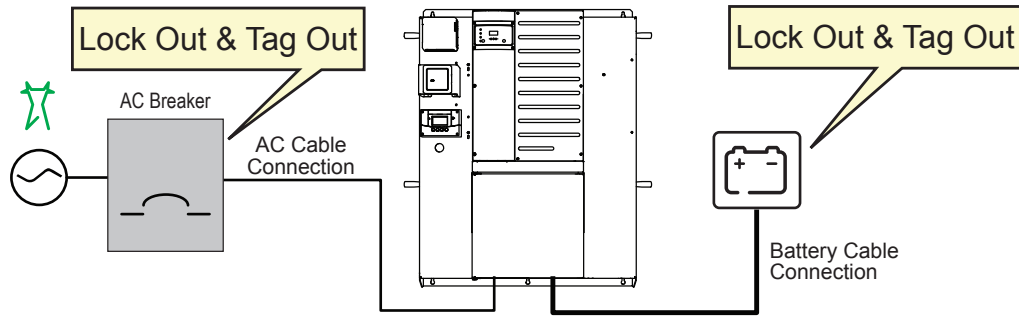
Schneider Electric Solar Inc.
 3700 Gilmore Way, Burnaby B.C., V5G 4M1, Canada
<https://solar.schneider-electric.com/>
 Submit your support request online at: <https://solar.schneider-electric.com/tech-support/netsuite/>

D2 Installation – Lock-out and Tag-out

⚠️ DANGER

HAZARD OF ELECTRIC SHOCK, EXPLOSION, OR ARC FLASH

- This equipment must be installed only by qualified personnel and serviced only by authorized service personnel equipped with appropriate PPE and following safe electrical work practices.
- Before opening any doors or covers:
 - Consult the system diagram to identify all power sources. This equipment is energized from multiple sources – DC from the battery, and AC from the grid.
 - De-energize, lock out, and tag out all power sources. External disconnecting means for the DC and AC sources, capable of being locked-out and tagged-out, must be provided as part of the installation. External disconnect devices are located elsewhere in the installation; they are not part of this equipment.
 - Wait at least ten minutes for internal capacitors to discharge to safe voltages; Wearing appropriate PPE, verify that all circuits are de-energized using a suitably rated meter.
- Never energize this equipment with the covers removed.
- Replace all devices and covers before turning on power to this equipment.
- The DC conductors of this photovoltaic system are ungrounded and may be energized.



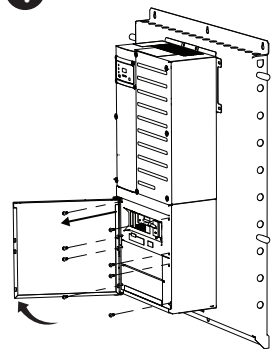
D3 Installation – Cable Gland Installation

⚠️ DANGER

HAZARD OF ELECTRIC SHOCK, EXPLOSION, OR ARC FLASH

- Do not connect this equipment to a live power source prior to cabling and wiring. This equipment can be energized from two sources: DC from the battery, and AC from the grid.
 - Do not connect any powered device to this equipment during installation.
- Failure to follow these instructions will result in death or serious injury.**

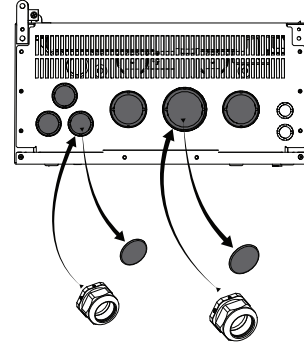
1 Remove the PDP cover.



2 Remove the AC knockout plugs and set aside.

3 Install the cable gland strain relief (not supplied) onto the knockout hole.

AC Battery

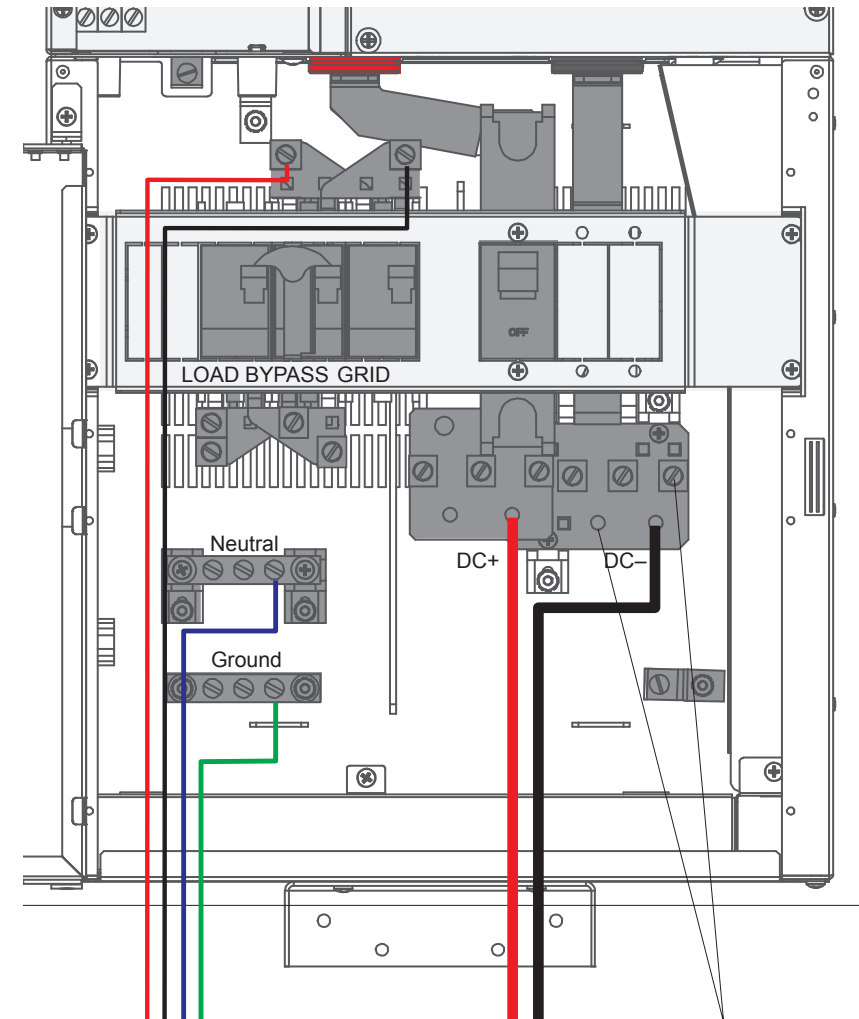


4 Remove the DC knockout plugs and set aside.

5 Install the cable gland strain relief (not supplied) onto the knockout hole.

D4 Wiring – Conext™ Mini Power Distribution Panel (PDP)

NOTE: For more information, see the *Conext Mini Power Distribution Panel Installation Guide (975-0735-01-01)*.



1 Install AC wires (not provided) between the L1 and L2 bypass terminal lugs AND the AC source box. Install Neutral and Ground wires (not provided) between the Neutral and Ground bus bars AND the AC source box. Route the wires through one of the knockout holes.

2 Use either bolted or screw terminals. Torque according to posted guidelines.

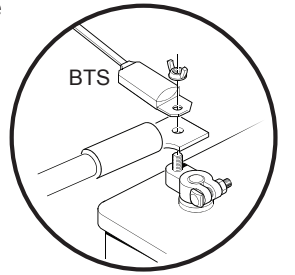
3 Install DC cables (not provided) between the battery disconnect terminals and the Mini PDP's battery terminal lugs. **NOTE:** For the Conext Battery Monitor to work, the provided shunt must be wired to the battery (see the *Conext Battery Monitor Owner's Guide* for details).

Add UL/CSA approved strain relief clamps to knockout holes.

D5 Wiring – Conext™ Battery Monitor

1 Install the Battery Temperature Sensors (BTS) for the inverter and battery monitor. If stacking with other cables, stack the sensor on top of the power cable. Install sensors at the hottest area of the battery bank.

For details, see the Install manuals for each device. The loose ends will be attached to the PDP for transport. See markings for details.



2 Connect the supplied RJ45 connector to the Pre-Scaler.

NOTE: Due to cable length, the Pre-Scaler must be located within 3m of the bottom edge of the Quick Fit panel. For details about Pre-Scaler and shunt connections, see the *Conext Battery Monitor Owner's Guide (975-0691-01-01)*.

E Commissioning

Complete the commissioning and configuration procedures in the following documents to commission each device on the Conext Quick Fit XW Pro:

- Conext Gateway Owner's Guide (975-0806-01-01)
- Conext XW Inverter/Charger (Conext XW Pro NA) Installation Guide (975-0800-01-01)
- Conext Battery Monitor Owner's Guide (975-0691-01-01)
- Conext System Control Panel Owner's Guide (975-0298-01-01)

F Specifications

Total weight	208.4 lbs (94.5 kg)	For more information, see the Install or Owner's manual for each device.
IP rating	NEMA Type 1	
Mounting Location	Indoor only	

DIMENSIONS

