

For Global Market



Datasheet

Crystalline PV Module

CHSM6612P Series

300 305 310 315 320

EN

ELECTRICAL SPECIFICATIONS

	300 Wp	305 Wp	310 Wp	315 Wp	320 Wp
STC rated output (P_{mpp})*	300 Wp	305 Wp	310 Wp	315 Wp	320 Wp
PTC rated output (P_{mpp})**	273.2 Wp	277.9 Wp	282.5 Wp	287.2 Wp	291.9 Wp
Standard sorted output	0/+5 Wp				
Warranted power output STC ($P_{nominal}$)	300 Wp	305 Wp	310 Wp	315 Wp	320 Wp
Rated voltage (V_{mpp}) at STC	35.74 V	35.77 V	35.80 V	35.83 V	35.86 V
Rated current (I_{mpp}) at STC	8.40 A	8.53 A	8.68 A	8.80 A	8.93 A
Open circuit voltage (V_{oc}) at STC	45.16 V	45.29 V	45.42 V	45.55 V	45.68 V
Short circuit current (I_{sc}) at STC	8.91 A	8.95 A	8.99 A	9.02 A	9.06 A
Module efficiency	15.5%	15.8%	16.0%	16.3%	16.5%
Rated output (P_{mpp}) at NOCT	209.5 Wp	213.0 Wp	216.5 Wp	220.0 Wp	223.5 Wp
Rated voltage (V_{mpp}) at NOCT	32.63 V	32.67 V	32.70 V	32.71 V	32.74 V
Rated current (I_{mpp}) at NOCT	6.42 A	6.52 A	6.62 A	6.73 A	6.82 A
Open circuit voltage (V_{oc}) at NOCT	41.44 V	41.56 V	41.68 V	41.80 V	41.92 V
Short circuit current (I_{sc}) at NOCT	6.89 A	6.92 A	6.95 A	6.98 A	7.01 A
Temperature coefficient (P_{mpp})	- 0.408%/K		Maximum system voltage (UL/IEC)		
Temperature coefficient (I_{sc})	+0.050%/K		1000 V _{DC} ***		
Temperature coefficient (I_{mpp})	- 0.003%/K		Number of diodes		
Temperature coefficient (V_{mpp})	- 0.406%/K		6 (or 3)		
Temperature coefficient (V_{oc})	- 0.311%/K		Maximum series fuse rating		
Normal operating cell temperature (NOCT)	46±2°C		15 A		

*** Option: 1500VDC for special requirement in advance

* Measurement tolerance +/- 3%
 ** Estimated



A CHNT COMPANY

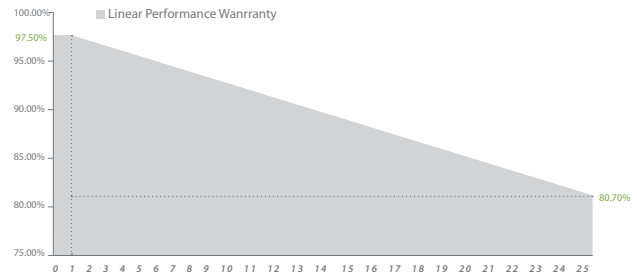
ASTRONERGY

RELATED PARAMETERS	
Cell type	polycrystalline
Number of cells / cell arrangement	72 / 6 x 12
Cells dimension	6"
Packing unit	25 modules
Weight of packing unit	703 kg / 1550 lbs

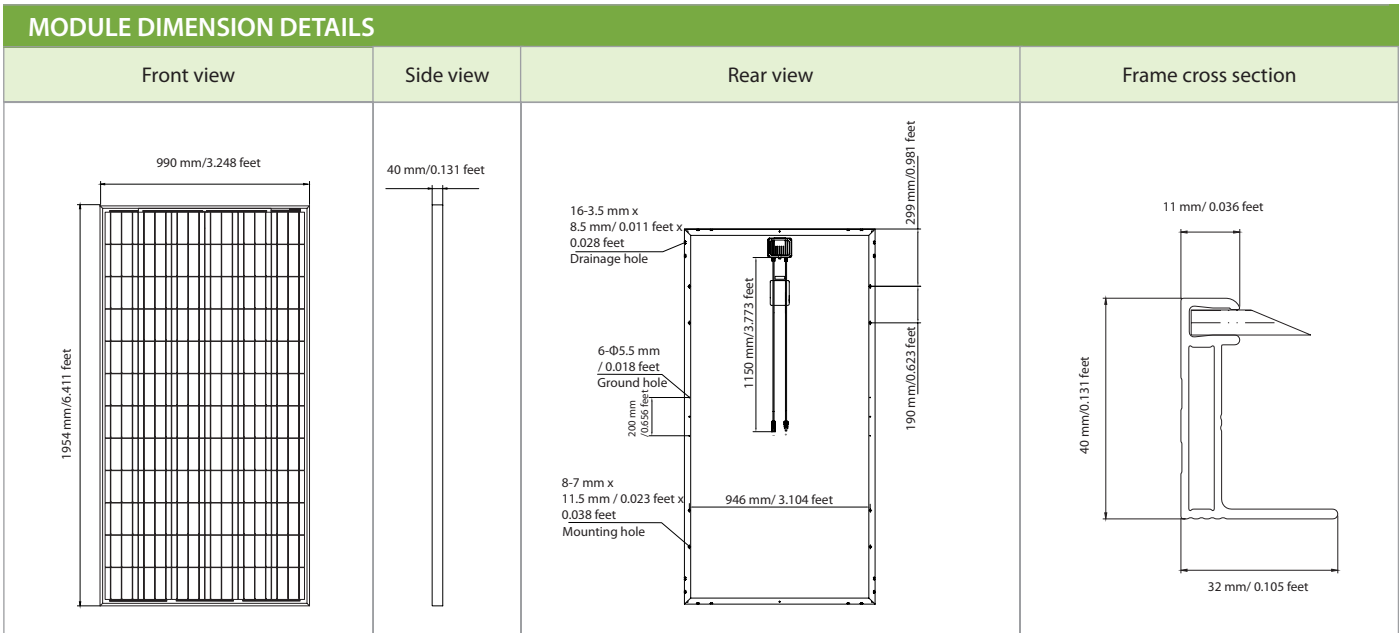
MECHANICAL SPECIFICATIONS	
Outer dimensions (L x W x H)	1954 x 990 x 40 mm 76.93 x 38.98 x 1.57 in
Frame technology	Aluminum, silver anodized
Module composition	Glass / EVA / Backsheet (white)
Weight (module only)	25.8 kg / 56.9 lbs
Front glass thickness	4.0 mm / 0.16 in
Junction box IP rating	IP 65 (above)
*Cable length (UL/IEC)	1150 mm / 45.28 in
Cable diameter (UL/IEC)	12 AWG / 4 mm ²
Maximum load capacity	5400 Pa
Fire performance (UL/IEC)	Type 1 (UL) or Class C (IEC)
Connector type (UL/IEC)	MC type 4 compatible

* Option: 1000 mm for defined projects in advance.

QUALIFICATION AND LINEAR WARRANTIES	
Product standard	IEC 61215, 61730 / UL 1703
Extended product warranty	10 years
Output decline 2.5%/year performance P _{mpp} (STC)	1 st year
Output decline 0.7%/year performance P _{mpp} (STC)	2 nd - 25 th years



ARTICLE NUMBER (per panel)-CHSM6612P Series		
Model	Article No. (IEC)	Article No. (UL)
CHSM6612P-300	200532	200537
CHSM6612P-305	200533	200538
CHSM6612P-310	200534	200539
CHSM6612P-315	200535	200540
CHSM6612P-320	200536	200541



© Chint Solar (Zhejiang) Co., Ltd. All rights reserved.
Specifications and designs included in this datasheet are subject to change without notice.