

DETAIL G
SCALE .3

REVISION HISTORY			
REV.	DESCRIPTION OF CHANGE	DATE	SIGN
A	DESIGN RELEASE	1/15/13	RAQ
B	UPDATED SUB-ASSY WITH PROTOTYPE RESULTS AND CHANGES	2/14/13	RAQ
C	REPLACED 2 OF 4 BRACKETS WITH 2 FLANGES ON TOP AND BOTTOM SHELF	3/6/13	RAQ
D	MADE A LEFT AND RIGHT SIDE FROM THE LEFT SIDE. TOP, SHELF, SIDES AND DOOR WERE TWEAKED FOR FIRST ARTICLES ISSUES	5/16/13	RAQ
E	RIVETS WERE TOO LONG AND SOLID ARE BLIND AND SHORTER, WAS 6-149-2, IS 6-265-1	1/29/14	RAQ
F	ADDED GROUP 31 BATTERIES TO SHEET 4	5/7/14	RAQ

PARTS LIST			
ITEM	QTY	PART NUMBER	DESCRIPTION
3	1	3-436-10	REV C MNBE-8D2X2 TOP
10	1	3-437-10	REV G MNBE-8D2X2 SIDE
23	1	3-437-20	REV H MNBE-8D2X2 RIGHT SIDE
7	1	3-438-10	REV F MNBE-8D2X2 MIDDLE SHELF
20	1	3-439-10	REV E MNBE-8D2X2 BOTTOM SHELF
9	1	3-440-10	REV A MNBE-8D2X2 BACK ASSY
5	1	3-441-10	REV E MNBE-8D2X2 DOOR
6	2	3-442-1	REV C MNBE-8D2X2 BATTERY BRACKET
30	1	5-029-1	REV A BADEGE 2
25	1	6-002-1	6-32 KEP NUT
13	11	6-006-1	10-32X.375 SCREW SS
26	1	6-016-1	KEPS NUT 10-32 SS
11	30	6-100-1	.25-20 KEPS NUT SS
12	2	6-102-1	FLAT SS WASHER .25-20
17	1	6-201-1	SOUTHCO E5-6018
14	2	6-204-1	HEX BOLT .25-20 X .5, SS
15	8	6-205-1	SCREW .25-20 X .5, FHP, SS
24	12	6-265-1	ALUMINUM RIVET 3-16 X 3-16
16	1	9-204-1	SOUTHCO E5-9-325-UU1-13
29	1	9-288-1	#12 GREEN-YELLOW WIRE
4	2	9-309-2	*Varies*
27	2	9-377-1	MOLEX 12-10 AWG, NO.10

ALL TOLERANCES, UNLESS OTHERWISE STATED: x.xxx=+/-0.005" x.xx=+/-0.01" x.x=+/-0.05" ALL ANGLES =+/- 1° UNLESS OTHERWISE STATED	
MATERIAL:	STANDARDS:
FINISH:	
PROCESS:	

DRAWN Bob Q	5/7/2014
CHECKED	
QA	
MFG	
APPROVED	

MIDNITE SOLAR, INC

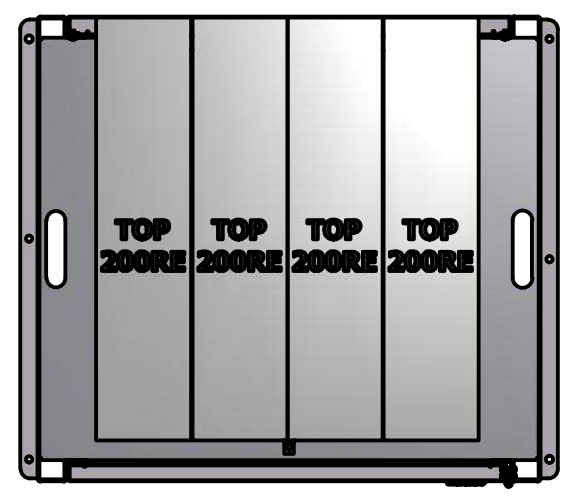
TITLE: MNBE-8D2x2 REV F FINAL ASSY

SIZE B	PROJECT: MNBE-8D2X2	DWG NO MNBE-8D2x2	REV F
-----------	------------------------	----------------------	----------

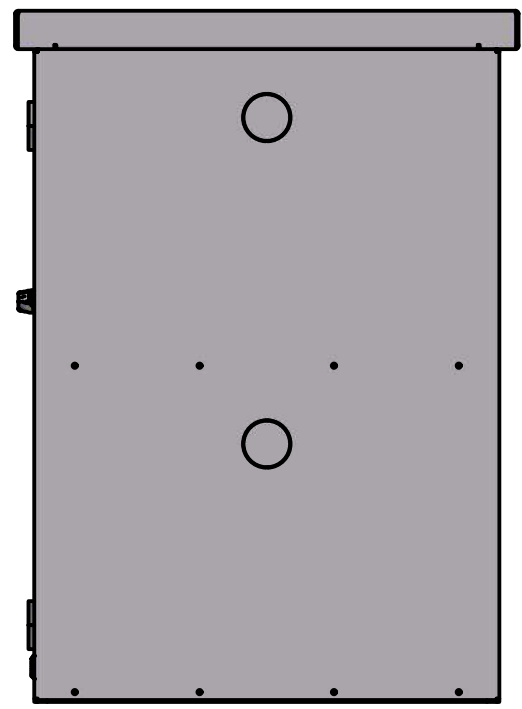
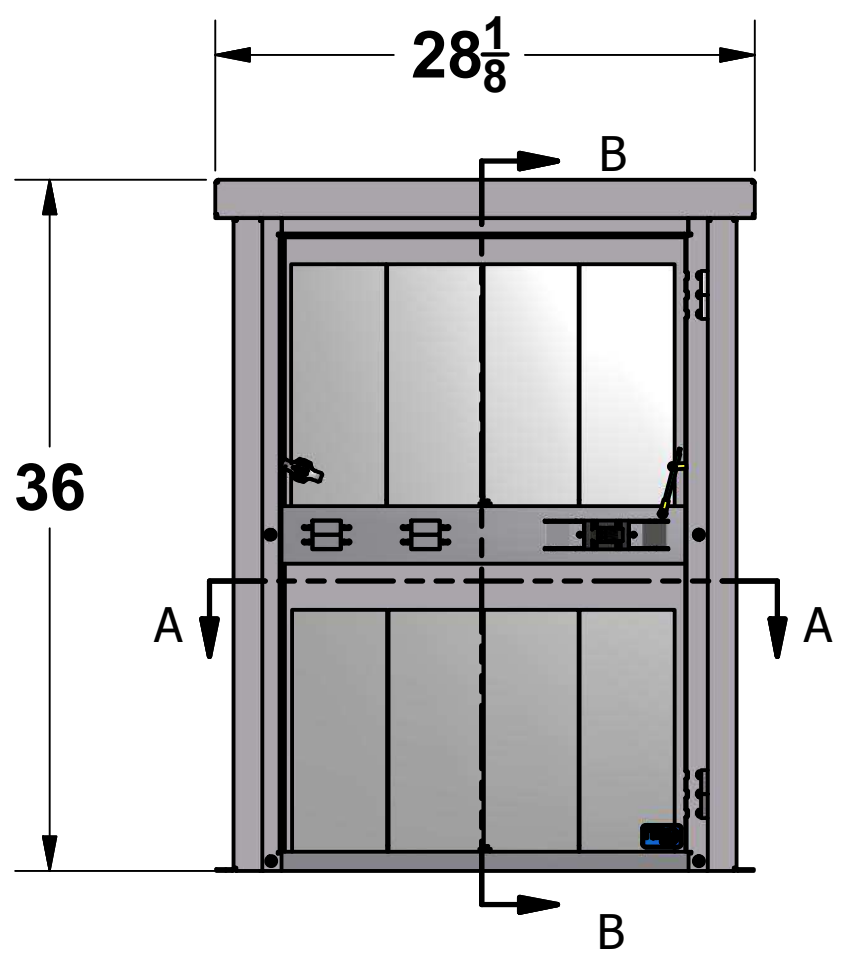
E-FILE:MNBE-8D2x2 REV F FINAL ASSY.iam SHEET 1 OF 4

ZOORE BATTERIES

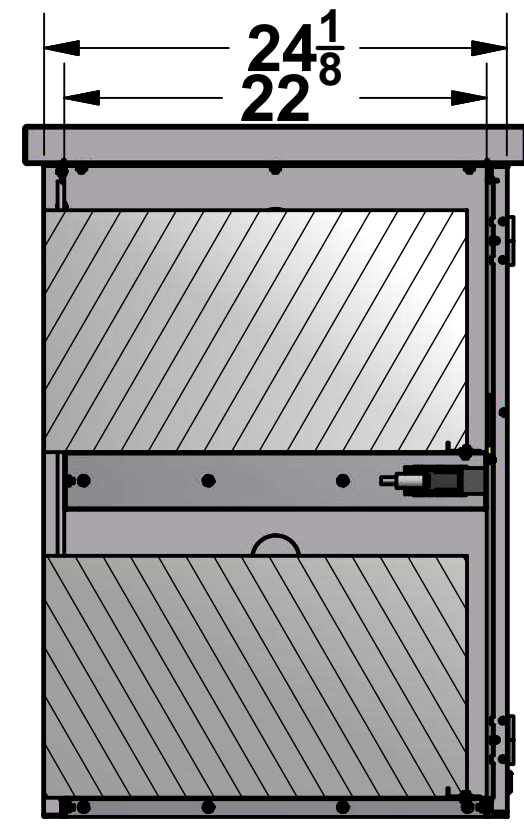
REVISION HISTORY			
REV.	DESCRIPTION OF CHANGE	DATE	SIGN



SECTION A-A
SCALE .1




SECTION B-B
SCALE .1



WEIGHT=91 POUNDS

ALL TOLERANCES, UNLESS OTHERWISE STATED: x.xxx=+/-0.005" x.xx=+/-0.01" x.x=+/-0.05"		DRAWN Bob Q	5/7/2014
ALL ANGLES =+/- 1° UNLESS OTHERWISE STATED		CHECKED	
MATERIAL:	STANDARDS:	QA	
FINISH:		MFG	
PROCESS:		APPROVED	

MIDNITE SOLAR, INC 

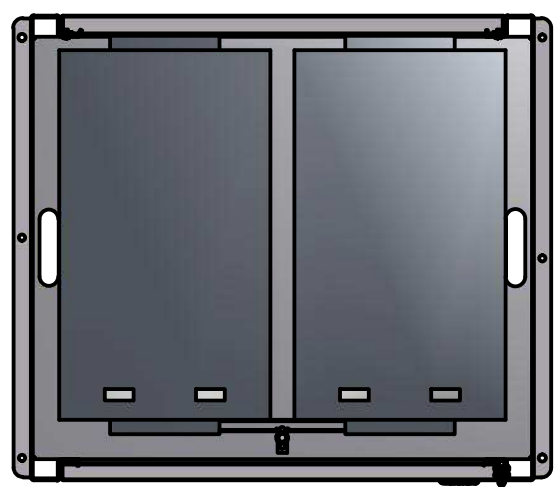
TITLE MNBE-8D2x2 REV F FINAL ASSY

SIZE B	PROJECT: MNBE-8D2X2	DWG NO MNBE-8D2x2	REV F
-----------	------------------------	----------------------	----------

E-FILE:MNBE-8D2x2 REV F FINAL ASSY.iam SHEET 2 OF 4

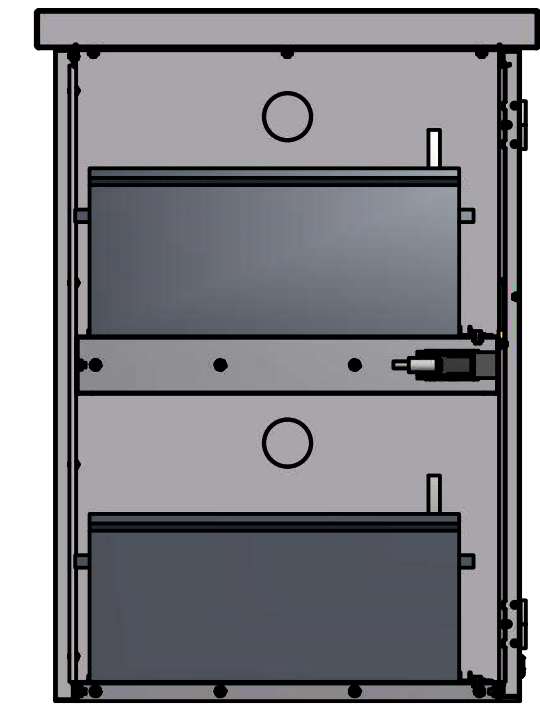
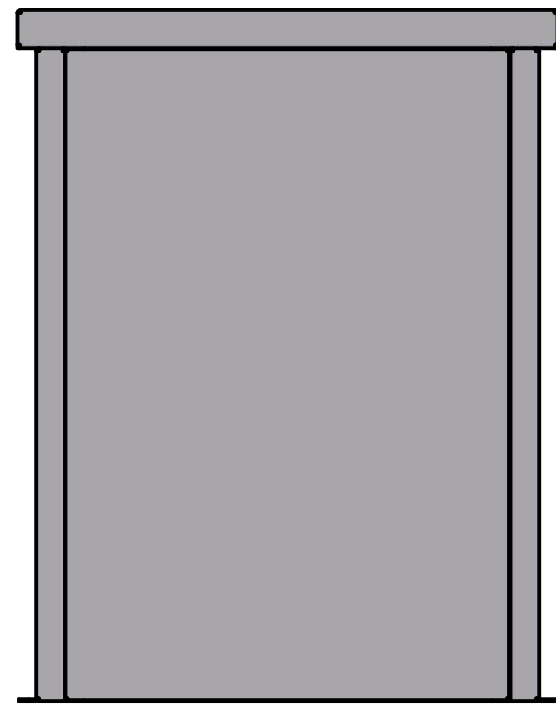
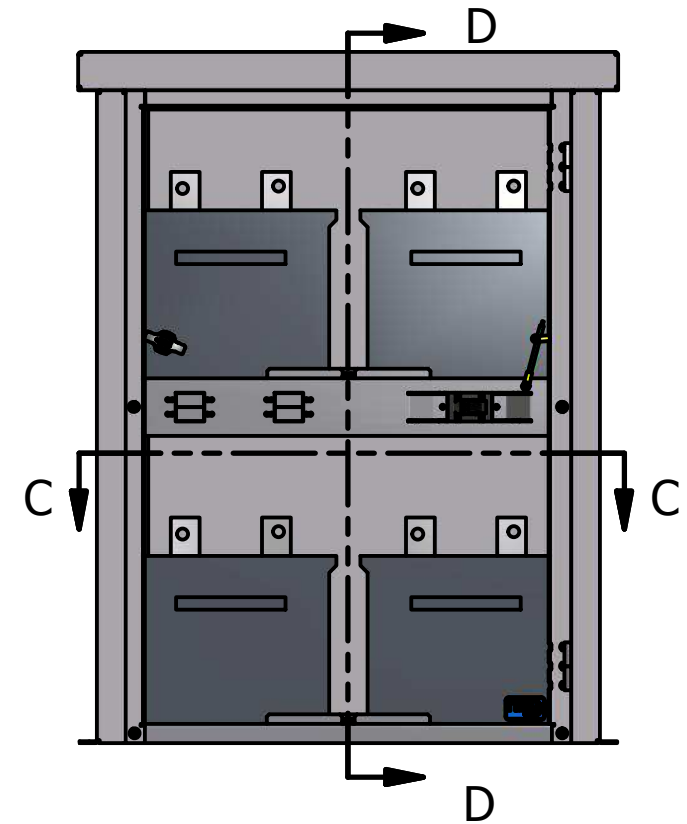
REVISION HISTORY			
REV.	DESCRIPTION OF CHANGE	DATE	SIGN

8D BATTERIES



SECTION C-C
SCALE .1

SECTION D-D
SCALE .1

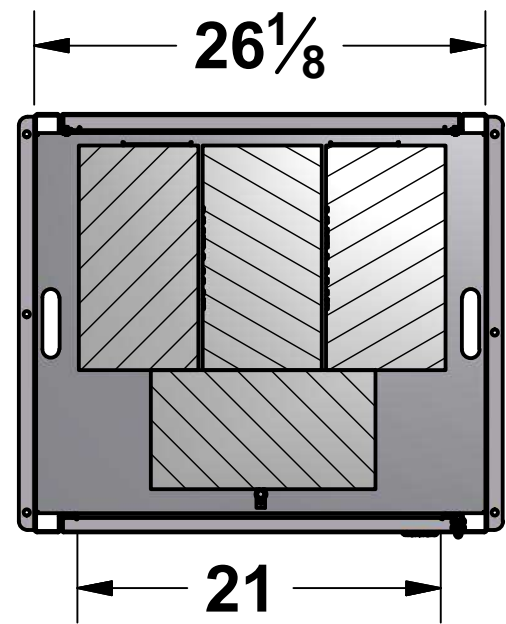


ALL TOLERANCES, UNLESS OTHERWISE STATED: x.xxx= +/-0.005" x.xx= +/-0.01" x.x= +/-0.05" ALL ANGLES = +/- 1° UNLESS OTHERWISE STATED		DRAWN Bob Q	5/7/2014
MATERIAL:		CHECKED	
FINISH:		QA	
PROCESS:		MFG	
STANDARDS:		APPROVED	

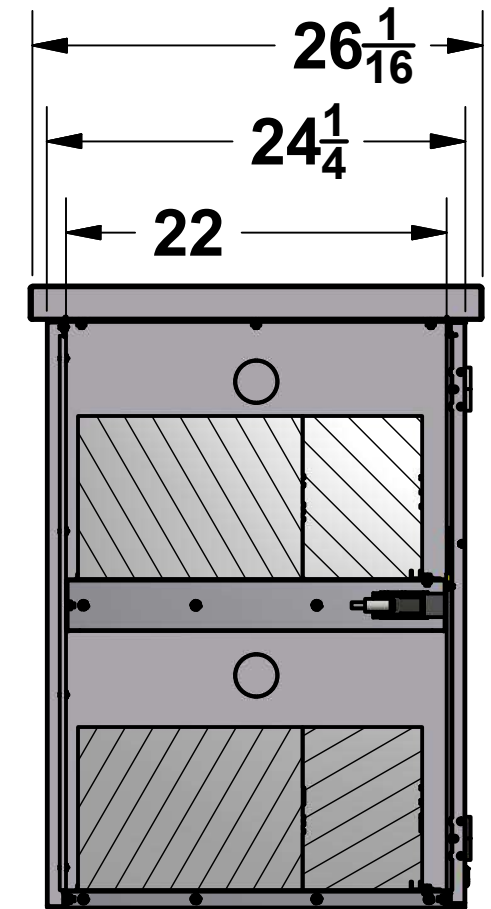
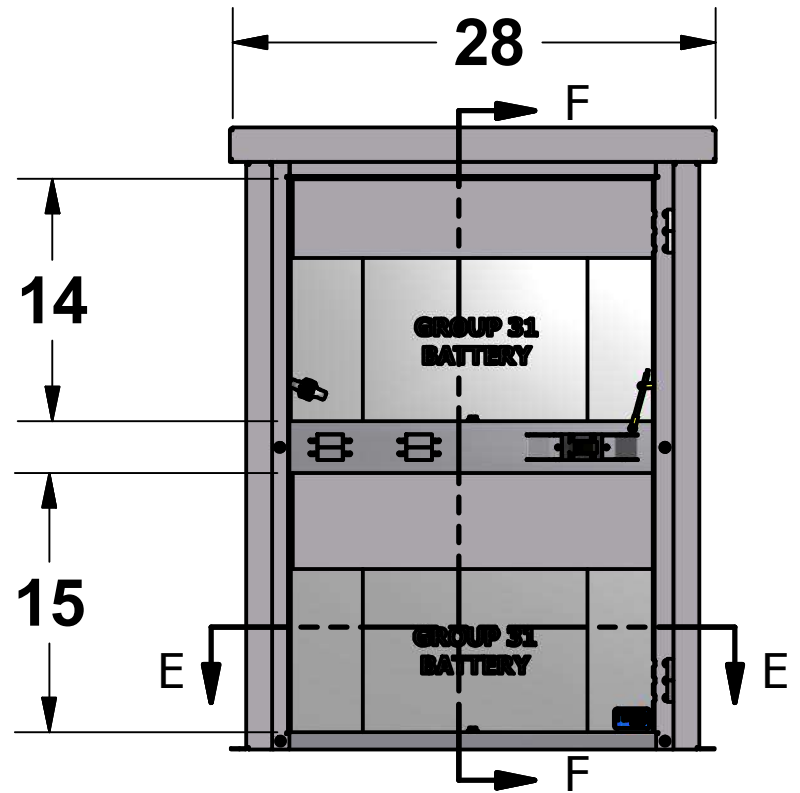
TITLE MNBE-8D2x2 REV F FINAL ASSY			
SIZE B	PROJECT: MNBE-8D2X2	DWG NO MNBE-8D2x2	REV F
E-FILE:MNBE-8D2x2 REV F FINAL ASSY.iam			SHEET 3 OF 4

REVISION HISTORY			
REV.	DESCRIPTION OF CHANGE	DATE	SIGN

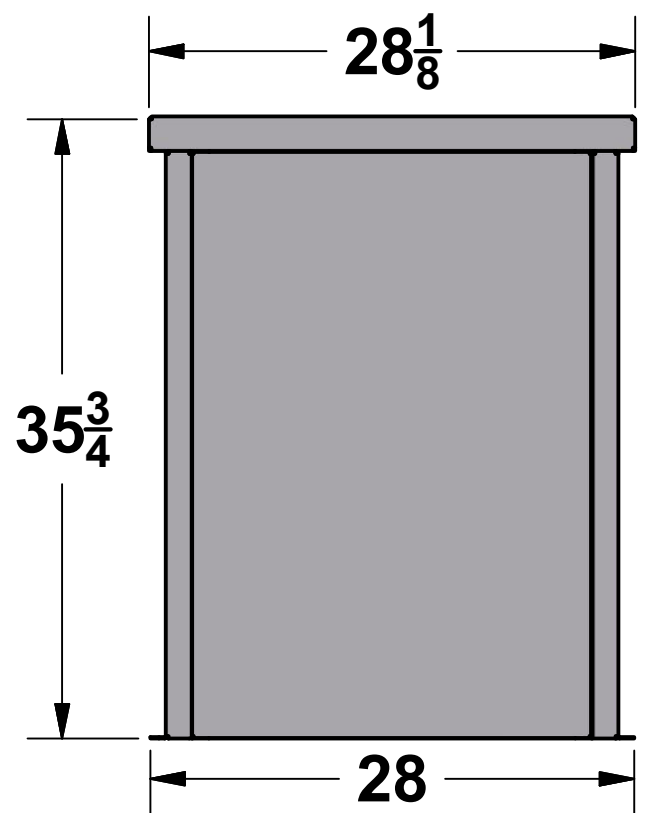
INTERNAL DIMENSIONS GROUP 31 BATTERIES




SECTION E-E
SCALE .09



SECTION F-F
SCALE .09



- NOTE
- 1) BATTERY BOX HOLDS 6 GROUP 31 BATTERIES WITH FRONT BATTERY STOP
 - 2) BATTERY BOX HOLDS 8 GROUP 31 BATTERIES WITHOUT FRONT BATTERY STOP.

ALL TOLERANCES, UNLESS OTHERWISE STATED: x.xxx= +/-0.005" x.xx= +/-0.01" x.x= +/-0.05" ALL ANGLES = +/- 1° UNLESS OTHERWISE STATED		DRAWN Bob Q 5/7/2014 CHECKED QA MFG APPROVED	MIDNITE SOLAR, INC  TITLE MNBE-8D2x2 REV F FINAL ASSY
MATERIAL: FINISH: PROCESS:	STANDARDS:	SIZE B PROJECT: MNBE-8D2X2 DWG NO MNBE-8D2x2 E-FILE:MNBE-8D2x2 REV F FINAL ASSY.iam	REV F SHEET 4 OF 4