

Features:

- Power ON / OFF remote control (Green Terminal)
- Wide input range : 10~16VDC (112 / 212), 20~32VDC (124 / 224)
- Wide operating temperature: -20°C ~ 60°C
- Input & output fully isoation
- Output frequency (50 / 60Hz) selectable by DIP switch
- Output voltage / power saving mode selectable
- Input Protection: Reverse Polarity (Fuse) / Under Voltage / Over Voltage
- Output Protection: Short Circuit / Overload / Over Temperature
- E13 / CE / FCC approved



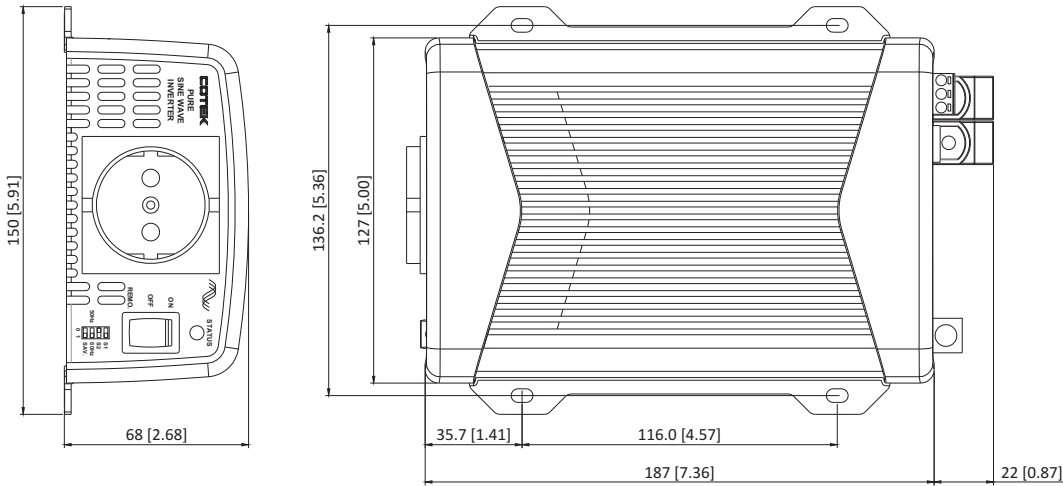
MODEL		SE200-112	SE200-124	SE200-212	SE200-224
Output	AC Voltage	100 / 110 / 115 / 120VAC ±5%		200 / 220 / 230 / 240VAC ±5%	
	Rated Power	200VA			
	Over Rated Power (3 Min.)	230VA			
	Peak Power (3 Sec.)	250VA			
	Waveform (@rated VDC, linear load)	THD < 3.0%			
	Frequency	50 / 60Hz ±0.5%			
Input	DC Voltage	12VDC	24VDC	12VDC	24VDC
	Voltage Range	10.0 ~ 16.0VDC	20.0 ~ 32.0VDC	10.0 ~ 16.0VDC	20.0 ~ 32.0VDC
	Efficiency (Typ.)	89%	91%	91%	93%
	No load power consumption	@12VDC	@24VDC	@12VDC	@24VDC
	On mode @ save mode	< 0.12A	< 0.06A	< 0.12A	< 0.06A
	On mode @ no load mode	< 0.5A	< 0.4A	< 0.5A	< 0.4A
Protection	BAT. Low Shutdown	10.0VDC ±3%	20.0VDC ±3%	10.0VDC ±3%	20.0VDC ±3%
	BAT. Low Alarm	10.5VDC ±3%	21.0VDC ±3%	10.5VDC ±3%	21.0VDC ±3%
	BAT. Low Restart	12.5VDC ±3%	25.0VDC ±3%	12.5VDC ±3%	25.0VDC ±3%
	BAT. High Alarm	15.5VDC ±3%	31.0VDC ±3%	15.5VDC ±3%	31.0VDC ±3%
	BAT. High Shutdown	16.0VDC ±3%	32.0VDC ±3%	16.0VDC ±3%	32.0VDC ±3%
	BAT. High Restart	14.5VDC ±3%	29.0VDC ±3%	14.5VDC ±3%	29.0VDC ±3%
	Protection	Overload, short circuit, DC over / under voltage, Over Temperature			
	DC Input Reverse Polarity	By Fuse			
Environment	Working Temp.	-20°C ~ +60°C			
	Storage Temp.	-30°C ~ +70°C			
	Working Humidity	Max. 90%, RH non-condensing			
Safety & EMC	Safety Standards	-----		Certified EN60950-1	
	EMC Standards	Certified FCC Class B		Certified EN55022 Class B Certified EN61204-3 Certified EN61000-6-3 Certified EN61000-3-2 Certified EN61000-3-3 Certified EN55024 Certified EN61000-6-1 Certified EN61000-4-2, 3, 4, 5, 6, 8, 11	
	E-mark	-----		Certified CISPR 25; ISO 7637-2	
	Others	Dimension (WxHxD)	150x68x187 mm / 5.91x2.68x7.36 inch		
	Packing	1.6kg; 6pcs / 10.6kg / 1.45CUFT			
	Cooling	Load and temperature control fan			
	Application	Home and Office appliances, Portable Power Equipment, Vehicle, Yacht and Off-Grid Solar power systems ...etc.			

LED Status:

Status	LED Signal
Power on	
Normal	
Saving mode	
O/P overload (100%~115%)	
O/P short circuit	
Over temperature	
Under voltage alarm	
Shut down under battery	
Over voltage	
Shut down over battery	
Fan alarm	

Mechanical Drawings:

unit : mm / [inch]



Output socket (option):

North America (GFCI) 	NEMA 5-15R 	Continental Europe
United Kingdom 	Universal 	Australia / New Zealand