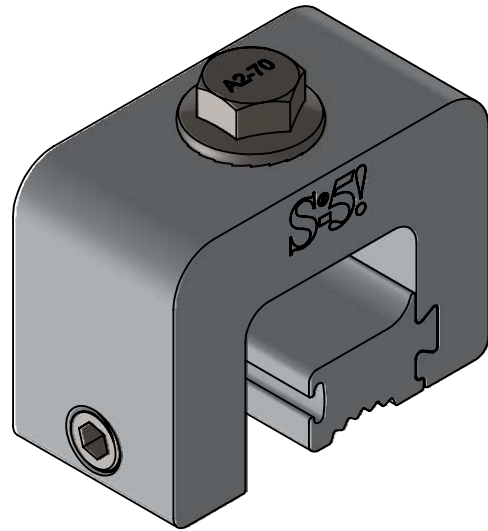
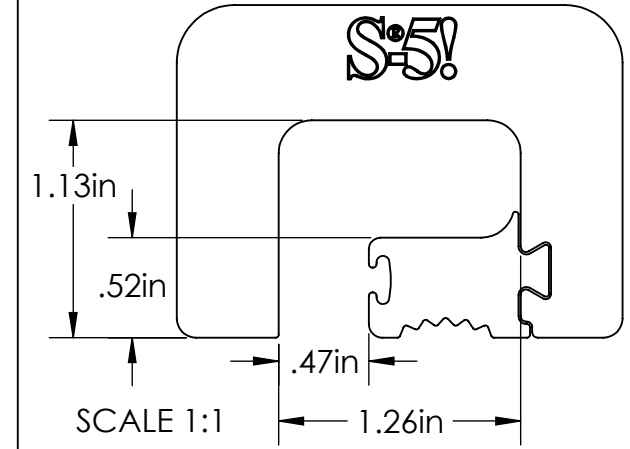
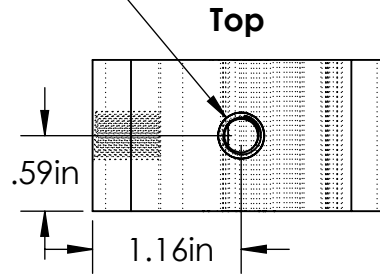


S-5-H Mini



M8-1.25 Threaded Hole

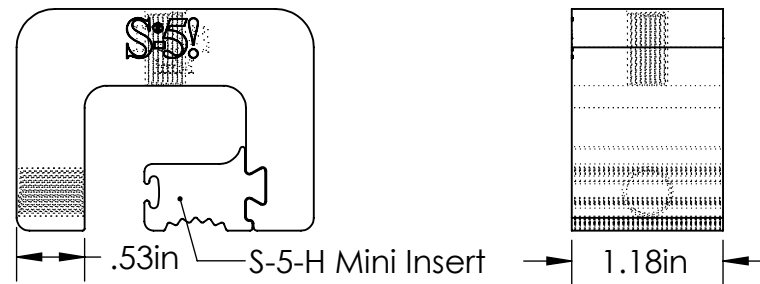
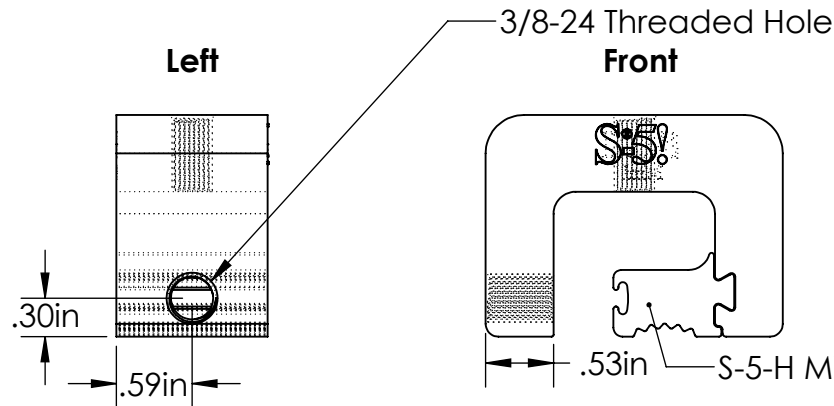
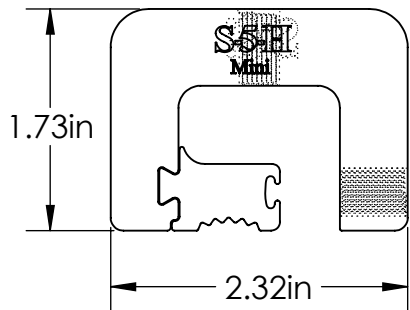


Back

Left

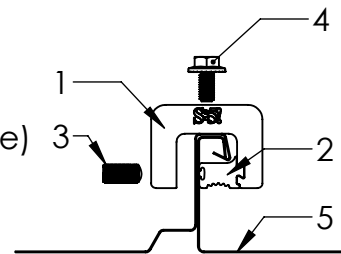
Front

Right



General Notes:

1. S-5-H Mini Clamp
2. S-5-H Mini Insert
3. 3/8-24 Stainless Steel Round Point Setscrew (3/16 Hex Drive)
4. M8-1.25 Stainless Steel Hex Flange Bolt (13mm Socket)
5. Example roof



FOR STANDING SEAM SPECIFIC MECHANICAL LOAD TEST INFORMATION AND CLAMP INSTALLATION INFORMATION PLEASE VISIT: WWW.S-5.COM

| | | | | |
|--|---|--------------------------|--|--|
| MATERIAL: 6061 T6 Al |  | | METAL ROOF INNOVATIONS, LTD. 8655 TABLE BUTTE RD COLORADO SPRINGS, CO 80908 719-495-0518 719-495-0045(FAX) | |
| EST ASSEMBLY WEIGHT: 0.373 lbs | | | | |
| SUPPLIED HARDWARE: M8-1.25 x 16 mm Bolt 3/8-24 x .800" Setscrew | TITLE S-5-H Mini | | | |
| SCALE: 1:1.5 | DRAWING NO. H26-A-1-C | DRAWN BY Kati Kadakas | DATE 7/7/2016 | |
| EST. WEIGHT: Clamp: 0.2755 lbs Insert: 0.046 lbs Setscrew: 0.0170 lbs Bolt: 0.0345 lbs | S-5!® PRODUCTS ARE PROTECTED BY MULTIPLE U.S. AND FOREIGN PATENTS. VISIT OUR WEBSITE AT WWW.S-5.COM FOR COMPLETE INFORMATION ON PATENTS AND TRADEMARKS. | | | |