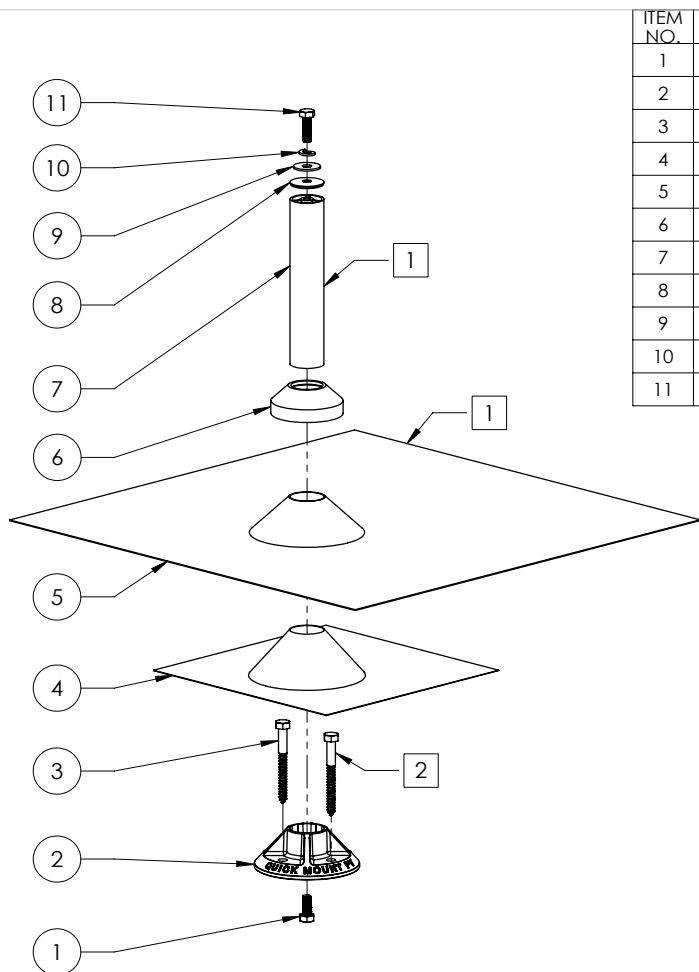


QBase® Universal Tile Mount | QMUTM



ITEM NO.	DESCRIPTION	QTY.
1	CAP SCREW, HEX HEAD, 5/16"-18 X 3/4" UNC-2A, GRADE 8	1
2	QBASE, 1-1/4" ID, FOR 5/16" HARDWARE, A360 CAST AL	1
3	LAG SCREW, HEX HEAD, 5/16" X 3", ZINC	2
4	SUB-FLASHING, CONE, 9"X9"X.020"/.032", 3003 AL, MILL	1
5	FLASHING, CONE, 18"X18"X.032", 3003 AL, MILL	1
6	COLLAR, COUNTER FLASHING, 1-1/4" ID EPDM	1
7	POST, 1.25" OD X 6.5", 6063-T5/6063-T6, MILL	1
8	WASHER, SEALING, 5/16" ID X 1-1/4" OD, EPDM BONDED SS	1
9	WASHER, FENDER, 5/16" ID X 1" OD, 18-8 SS	1
10	WASHER, SPLIT-LOCK, 5/16" ID, 18-8 SS	1
11	CAP SCREW, HEX HEAD, 5/16"-18 X 1" UNC-2A, 18-8 SS	1

NOTES:

- 1 AVAILABLE IN MILL FINISH, AND BRONZE ANODIZED FINISH
- 2 STAINLESS STEEL LAG SCREWS INCLUDED WITH ANODIZED FINISH

Quick Mount PV®

TITLE:

QMUTM: QBASE UNIVERSAL TILE MOUNT

UNLESS OTHERWISE SPECIFIED:
DIMENSIONS ARE IN INCHES
TOLERANCES:
FRACTIONAL ± 1/8
TWO PLACE DECIMAL ± .19
THREE PLACE DECIMAL ± .094

SIZE	DRAWN BY: RAD	REV
A	DATE: 10/30/2017	11
SCALE: 1:5	WEIGHT: 2.27	SHEET 1 OF 2

PROPRIETARY AND CONFIDENTIAL
THE INFORMATION CONTAINED IN THIS DRAWING IS THE SOLE PROPERTY OF QUICK MOUNT PV. ANY REPRODUCTION IN PART OR AS A WHOLE WITHOUT THE WRITTEN PERMISSION OF QUICK MOUNT PV IS PROHIBITED. COPYRIGHT © 2016 QUICK MOUNT PV DO NOT SCALE DRAWING

Ultimate Load Capacity

Test Setup	Average values based on failure tests results in Douglas Fir			
	Ultimate Load Capacity [lbf]	Rafter moisture content (%)	Rafter specific gravity	Failure Mode
Pullout	3031	20.9	0.436	Lag Bolt Pulled Out
Shear Parallel to Rafter	803	13.8	0.438	Lag Bolt Pulled Out
Shear Perpendicular to Rafter	583	16.5	0.451	Plywood buckled/ Lag Bolt Pulled Out

Source: AME Report 111316C, 7/5/2011

Please note:

- 1) The ultimate load is NOT the same as allowable load. Ultimate load is the load at the point of failure. Since point of failure is usually heavily dependent on the roof itself, allowable load should be calculated by the responsible engineer using the appropriate factor of safety for that job.
- 2) Thread must be embedded in a rafter or other structural roof member.
- 3) See IBC for required edge distances.

WARNING: Quick Mount PV products are NOT designed and should NOT be used to anchor fall protection equipment.

Quick Mount PV®
RESPECT THE ROOF

QBase Universal Tile Mounting Instructions

Installation Tools Required: tape measure, drill with 7/32" bit, drill or impact gun with 1/2" deep socket, caulking gun and sealant compatible with roofing material, whisk broom, roofing bar, angle grinder with a diamond blade



Remove tile. Locate and mark center of rafter.



Use a straight edge and measure up 6 5/8" from bottom of tiles to center of the mount over the center of rafter.



Align QBase over rafter center and drill two 7/32" pilot holes. Fill pilot holes with sealant compatible with roofing material. Place grade-8 cap screw under QBase in hex slot, threads pointing up. Lag QBase into rafter through pilot holes.



Install subflashing. Waterproof at underlayment level according to roofing manufacturer instructions and Tile Roofing Institute Guidelines.



With a diamond blade on a grinder or skill-saw, cut tile to allow post to pass through. Place cut tile back in position. Insert post and tighten into place.



Install the 18"x 18" flashing. Pre-bend the flashing to follow the contour of the tile if curved. Apply sealant where post and flashing meet, and install EPDM counter flashing collar. Seal off the post from weather exposure with the racking hardware in the interim before racks are installed.



Another acceptable method is to notch the tile and install the 18"x18" flashing under the tiles. This is very common in standard roofing.

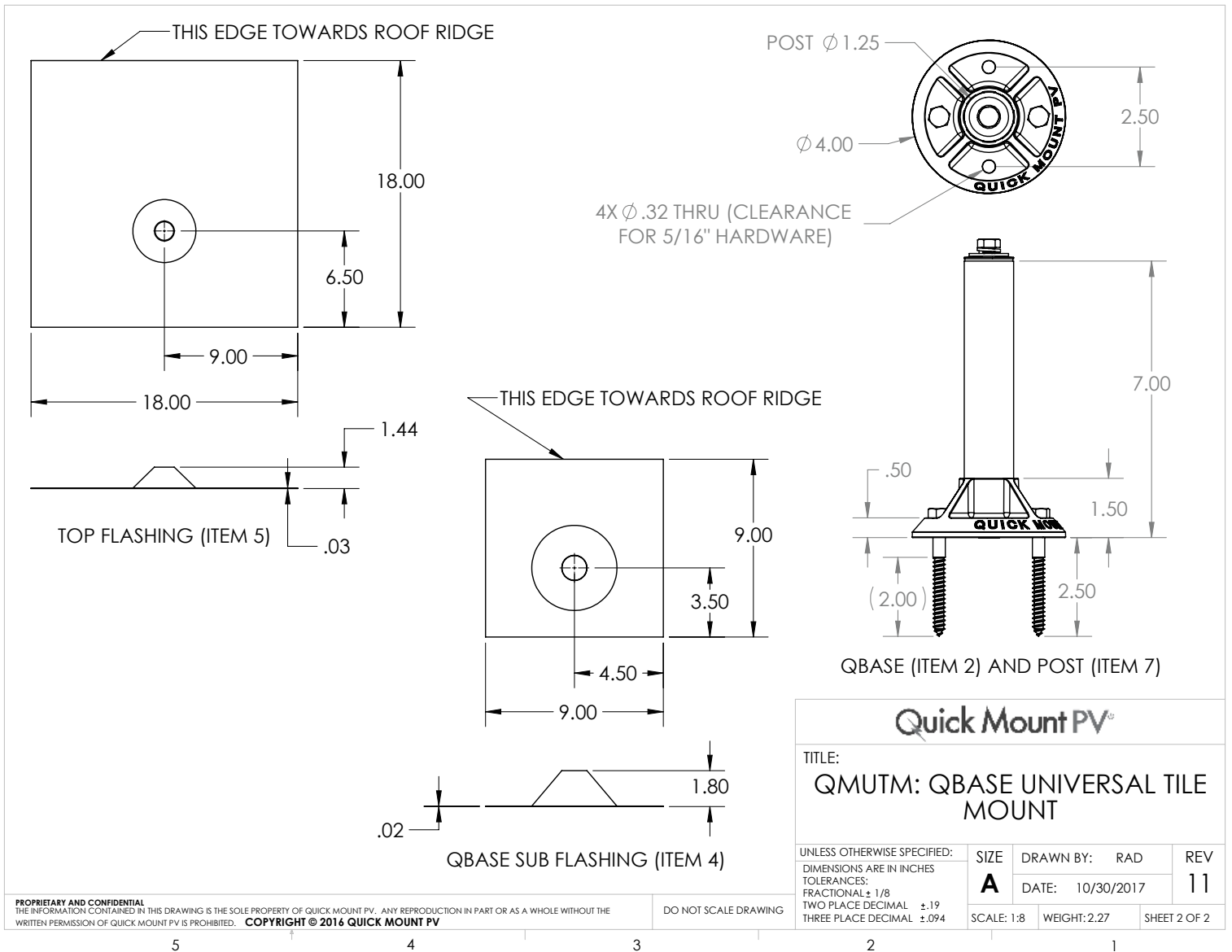
You are now ready for the rack of your choice. Follow all the directions of the rack manufacturer as well as the module manufacturer.

All roofing manufacturers' written instructions must also be followed by anyone modifying a roof system. Please consult the roof manufacturer's specs and instructions prior to touching the roof.

Follow the same steps to install the the QBase Universal Tile Mount on both curved and flat tiles roofs.

QBase Universal Tile Mount | QMUTM

Additional Dimensions





925-478-8269 | www.quickmountpv.com | info@quickmountpv.com
2700 Mitchell Dr. | Walnut Creek, CA 94598