

# SLP025-12

## High Efficiency Multicrystalline PV Module



Certified and Listed to  
UL1703 and CUL1703 Standards

Electrical Characteristics	SLP025-12
Product code	025011232A
Maximum power (Pmax)	25W
Voltage at Pmax (Vmp)	18.0V
Current at Pmax (Imp)	1.39A
Open-circuit voltage (Voc)	21.7V
Short-circuit current (Isc)	1.49A
Temperature coefficient of Voc	-(80±10)mV/°C
Temperature coefficient of Isc	(0.065±0.015)%/°C
Temperature coefficient of power	-(0.5±0.05)%/°C
NOCT (Air 20°C; Sun 0.8kW/m² wind 1m/s)	47±2°C
Operating temperature	-40°C to 85°C
Maximum system voltage	600V DC
Power tolerance	± 5%

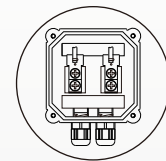
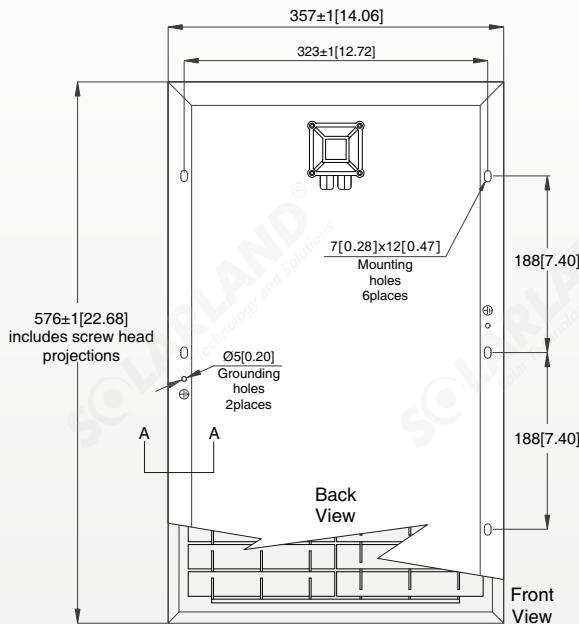
\*STC: Irradiance 1000W/m², AM1.5 spectrum, module temperature 25°C

\*NOCT: Nominal operating cell temperature (the data is only for reference)

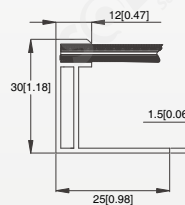


### Module Diagram

Dimensions in brackets are in inches.  
Un-bracketed dimensions are in millimeters.  
Unit: mm[in.]



Junction Box  
Top View(Lid Open)

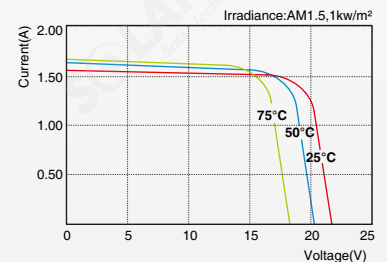


Section A-A

### Features

- Nominal 12V DC for standard output.
- Outstanding low-light performance.
- Heavy-duty anodized frames.
- High transparent low-iron, tempered glass.
- Rugged design to withstand high wind pressure, hail and snow load.
- Aesthetic appearance.

### Characteristics



SLP025-12 I-V Curves

### Specifications

### SLP025-12

Cells	Polycrystalline silicon solar cell
No. of cells and connections	36(2X18)
Module dimension	576mm[22.68in.]x357mm[14.06in.]x30mm[1.18in.]
Weight	2.8kg[6.17lbs]
Packing information(Carton)	605mm[23.82in.]x215mm[8.46in.]x390mm[15.35in.]/(5pcs/ctn)

\*Limited warranty: 2-year limited warranty of materials and workmanship; 10-year limited warranty of 90% power output. For detail, please contact us.

\*Specifications are subject to change without notice at any time.