

The right way to attach almost anything to metal roofs!

# S-5!<sup>®</sup>

## The Right Way!

### S-5-B Clamp

Architects and roof designers choose copper roofing for its timeless elegance and durability. The S-5-B (“B” for “Brass”) allows architects to maintain that theme with all equipment and accessories that must be mounted to the roof with permanence and durability consistent with the roof itself.

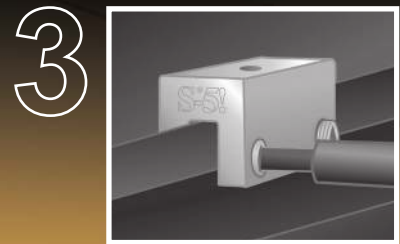
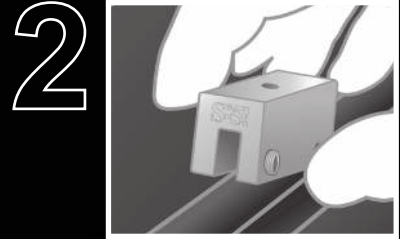
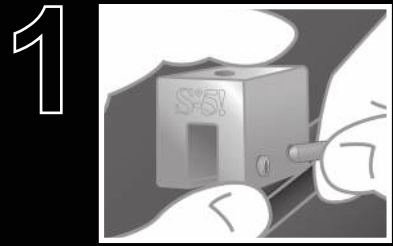
This clamp is specifically designed for double-folded copper standing seam paneling.

Installation is as simple as placing the clamp on the seam and tightening the patented round-point setscrews to the specified tension. Then, affix ancillary items using the bolt provided. Go to [www.S-5.com/tools](http://www.S-5.com/tools) for information and tools available for properly attaching and tensioning S-5!<sup>®</sup> clamps.

### S-5-B Mini Clamp

The S-5-B Mini is a bit shorter than the original S-5-B and has one setscrew rather than two. The mini is the choice for attaching all kinds of rooftop accessories: signs, walkways, satellite dishes, antennas, rooftop lighting, lightning protection systems, solar arrays, conduit, rooftop mechanicals—just about anything!\*

\*S-5! mini clamps are not compatible with, and should not be used with S-5! SnoRail™/SnoFence™ or ColorGard® snow retention systems.



The brass S-5-B clamp is designed to complement the beauty of your copper roofing without piercing the panel, thereby preserving the roof manufacturer's warranty!

S-5-B and S-5-B Mini

888-825-3432 | [www.S-5.com](http://www.S-5.com)

# S-5!<sup>®</sup>

The Right Way!

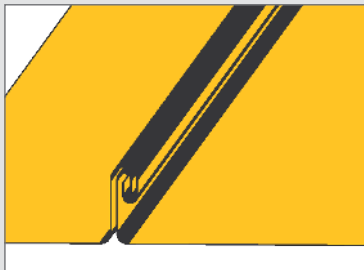
The strength of the S-5-B clamp is in its simple design. The patented setscrews will slightly dimple the metal seam material but will not puncture it—leaving the roof manufacturer's warranty intact.

The **S-5-B** and **S-5-B Mini clamps** are each furnished with the hardware shown to the right. The S-5-B standard clamp is provided with an M8-1.25 X 16.00 mm Hex Flange Bolt. Each box also includes a screw gun bit tip. All included hardware is stainless steel. Please visit [www.S-5.com](http://www.S-5.com) for more information including CAD details and specifications.

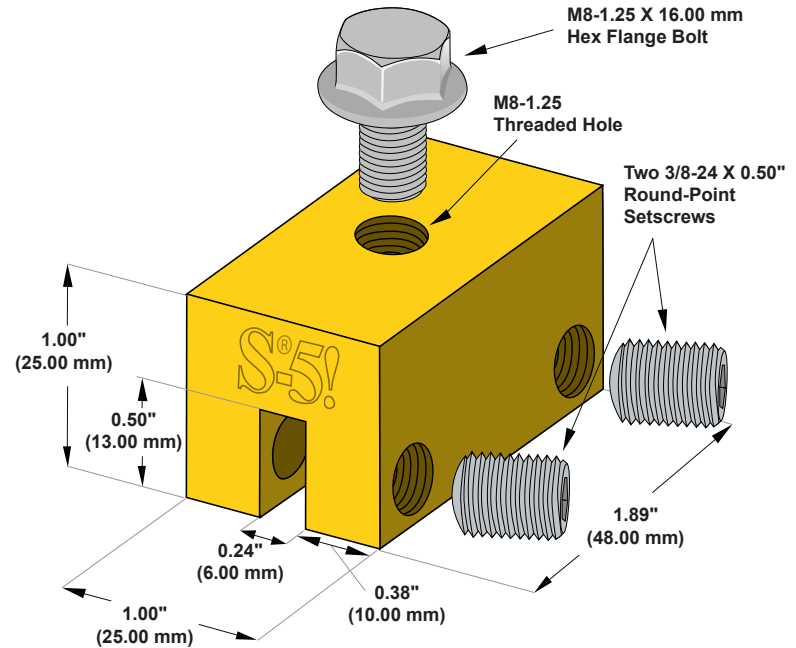
The S-5-B and S-5-B Mini clamps have been tested for load-to-failure results on cold-rolled standing seam copper. The independent lab test reports found on our website at [www.S-5.com](http://www.S-5.com) prove that S-5!<sup>®</sup> holding strength is unmatched in the industry.

An S-5-B standard clamp compatible with an M10-1.5 X 16.00 mm Hex Flange Bolt is available upon request for an additional up charge.

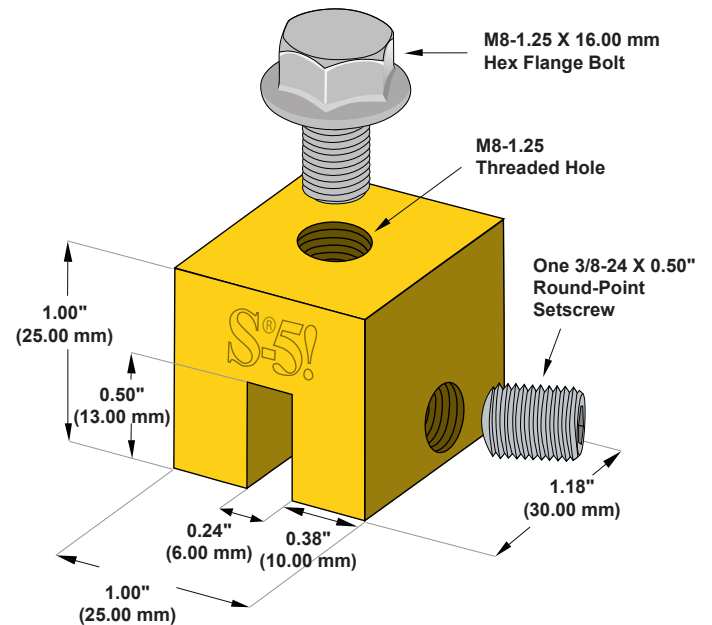
## Example Profile



## S-5-B Clamp



## S-5-B Mini Clamp



### S-5!<sup>®</sup> Warning! Please use this product responsibly!

Products are protected by multiple U.S. and foreign patents. Visit the website at [www.S-5.com](http://www.S-5.com) for complete information on patents and trademarks. For maximum holding strength, setscrews should be tensioned and re-tensioned as the seam material compresses. Clamp setscrew tension should be verified using a calibrated torque wrench between 160 and 180 inch pounds when used on 22ga steel, and between 130 and 150 inch pounds for all other metals and thinner gauges of steel. Consult the S-5! website at [www.S-5.com](http://www.S-5.com) for published data regarding holding strength.

Copyright 2014, Metal Roof Innovations, Ltd. S-5! products are patent protected. S-5! aggressively protects its patents, trademarks, and copyrights. Version 102414.

Distributed by