

# S-5!<sup>®</sup>

## The Right Way!

### VersaGard<sup>™</sup>

VersaGard<sup>™</sup> is compatible with almost any trapezoidal, exposed-fastened profile. No messy sealants to apply! No chance for leaks! VersaGard comes with factory-applied butyl sealant already in the base, and the S-5!<sup>®</sup>-patented reservoir conceals the sealant from UV exposure, preventing drying and cracks.

Installation is simple! VersaGard is mounted in the flat of the panel, directly into the supporting structure of the roof, i.e. wood decking, wood or steel purlins, or trusses. No surface preparation is necessary; simply wipe away excess oil and debris, peel the release paper from the base, align, and apply. Secure through the pre-punched holes using the appropriate screws for the supporting structure.

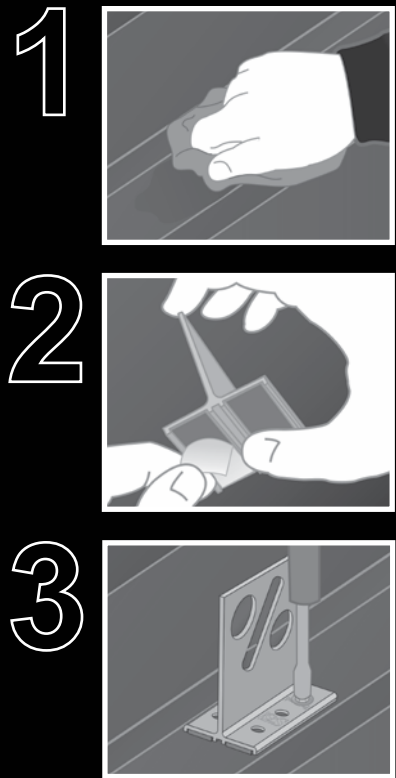
While the circular holes in the vertical part of the bracket support 1" pipes, the diagonal slot provides flexible support for PV installations via the use of 3/8", M8 or M10 bolts.

#### Snow Retention Applications

VersaGard can dramatically reduce the risks associated with snow avalanches sliding off of roofs, dumping tons of snow onto anything in its path, at an amazingly affordable price. A VersaGard pipe snow retention system functions without cluttering the lines of the roof and is dramatically stronger than adhesively-mounted snow guards.

#### Solar Applications

VersaGard can also be used in lieu of an L-foot to support the installation of photovoltaic panels. VersaGard works with most rail or racking systems, and can be oriented parallel or perpendicular to the roof line.



VersaGard<sup>™</sup>



888-825-3432 | [www.S-5.com](http://www.S-5.com)

The right way to attach almost anything to metal roofs!

# S-5!<sup>®</sup>

The Right Way!

VersaGard™ is a strong, versatile, and affordable exposed-fastened solution for mounting snow retention and solar panels.

To accommodate various rib heights and to support one- or two-pipe preferences, **VersaGard™** comes with two 1.05" holes (1" pipe not included). To support PV installation, the diagonal "slot" provides height flexibility.

VersaGard can be installed parallel (for snow retention or PV installations) or perpendicular to the rib (for PV installations).

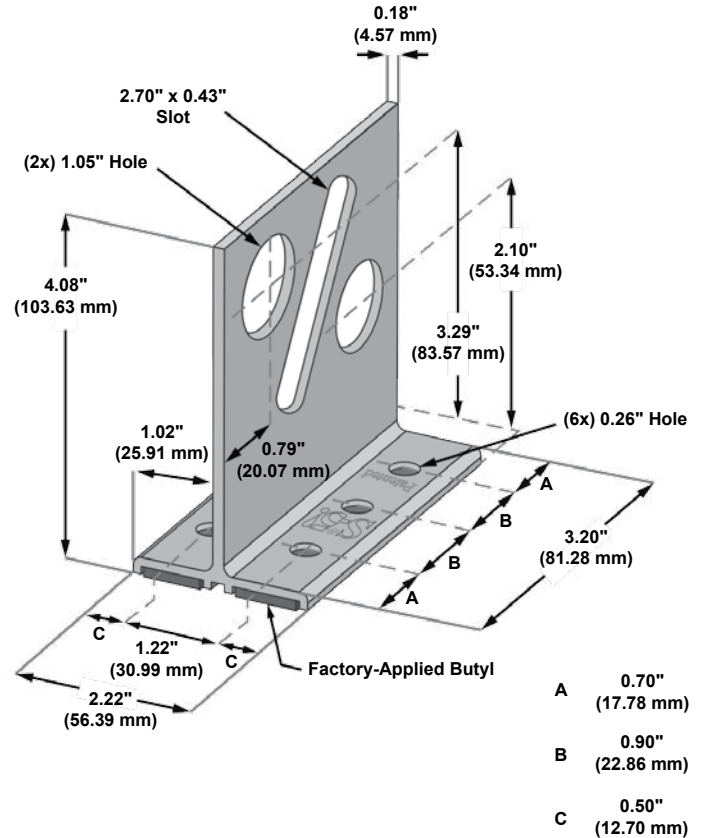
Each VersaGard comes with factory-applied butyl sealant in the base. A structural aluminum attachment bracket, VersaGard is compatible with most common metal roofing materials. For design assistance, ask your distributor. Also, please visit our website for more information including CAD details, metallurgical compatibilities, and specifications.

The VersaGard has been tested for load-to-failure results on wood decking, metal, and wood purlins. The independent lab test data found at [www.S-5.com](http://www.S-5.com) can be used for load-critical designs and applications. S-5!<sup>®</sup> holding strength is unmatched in the industry.

## Example Profile



## VersaGard™



6 holes are provided for versatility. Some installations require only 2 fasteners. See the load table on the S-5! website and the installation instructions for more details.

Attachment screws not included. Contact your distributor for information about hardware requirements.

### S-5!<sup>®</sup> Warning! Please use this product responsibly!

Products are protected by multiple U.S. and foreign patents. For published data regarding holding strength, bolt torque, patents, and trademarks, visit the S-5! website at [www.S-5.com](http://www.S-5.com).

Copyright 2015, Metal Roof Innovations, Ltd. S-5! products are patent protected. S-5! aggressively protects its patents, trademarks, and copyrights. Version 052115.

Distributed by