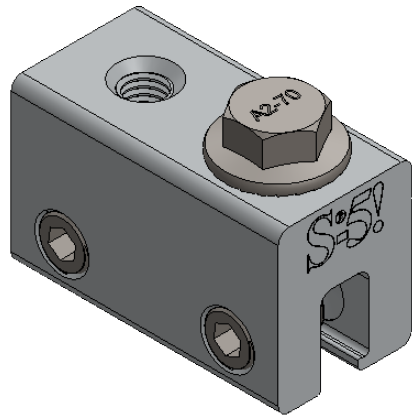
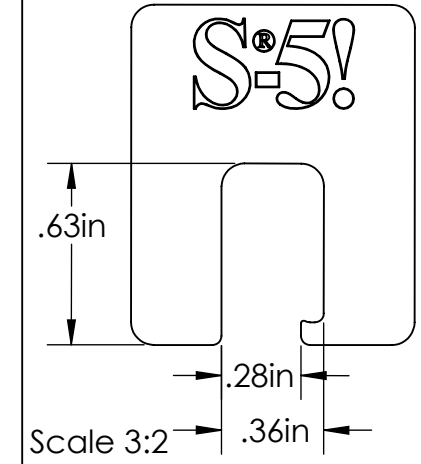
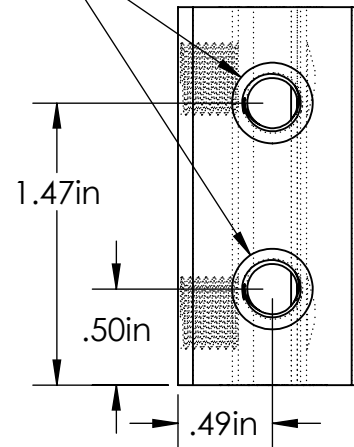


S-5-E



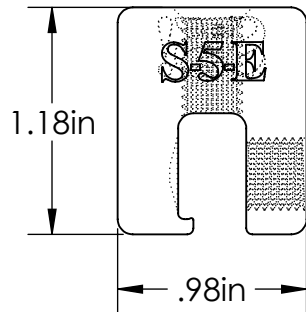
(2x) M8-1.25 Threaded Hole

Top

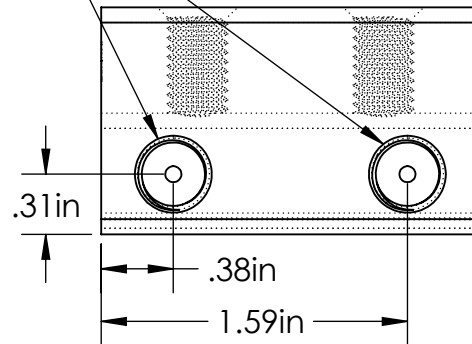


(2x) 3/8-24 Threaded Hole

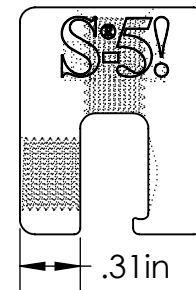
Back



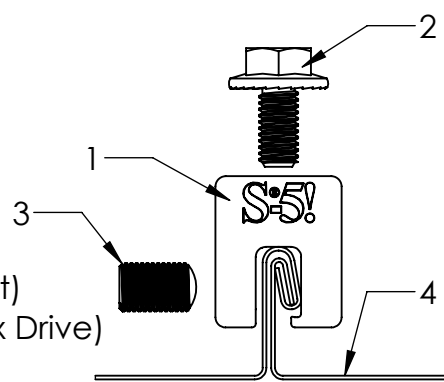
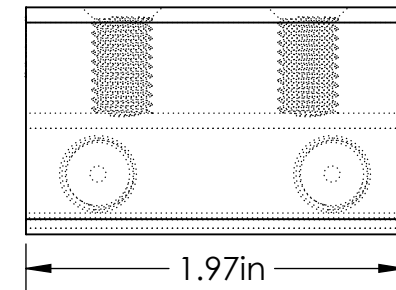
Left



Front



Right



FOR STANDING SEAM SPECIFIC MECHANICAL LOAD TEST INFORMATION AND CLAMP INSTALLATION INFORMATION PLEASE VISIT: WWW.S-5.COM

General Notes:

1. S-5-E Clamp
2. M8-1.25 Stainless Steel Hex Flange Bolt (13mm Socket)
3. 3/8-24 Stainless Steel Round Point Setscrew (3/16 Hex Drive)
4. Example roof

MATERIAL:	6061 T6 Al
EST ASSEMBLY WEIGHT:	0.209 lbs
SUPPLIED HARDWARE:	M8-1.25 x 16 mm Bolt (2x) 3/8-24 x .500" Setscrews
SCALE:	1:1
EST. WEIGHT:	Clamp: 0.1645 lbs Setscrew: 0.0100 lbs Bolt: 0.0345 lbs

	METAL ROOF INNOVATIONS, LTD. 8655 TABLE BUTTE RD COLORADO SPRINGS, CO 80908 719-495-0518 719-495-0045(FAX)		
	TITLE: S-5-E		
DRAWING NO.	E03-B-18-D	DATE	10/17/2016
DRAWN BY		Kati Kadakas	
S-5!® PRODUCTS ARE PROTECTED BY MULTIPLE U.S. AND FOREIGN PATENTS. VISIT OUR WEBSITE AT WWW.S-5.COM FOR COMPLETE INFORMATION ON PATENTS AND TRADEMARKS.			