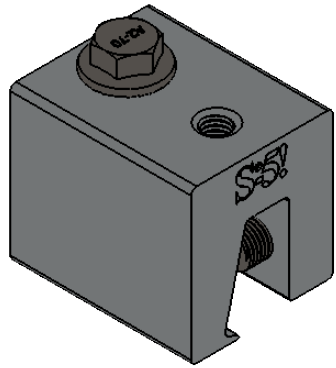
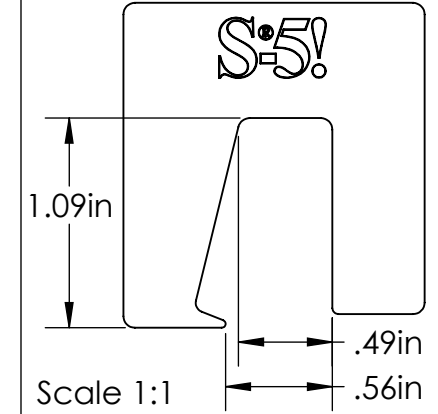
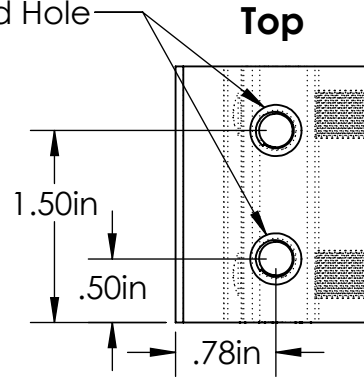


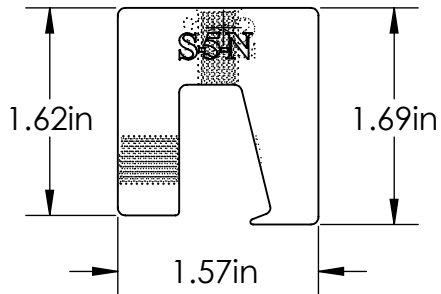
S-5-N



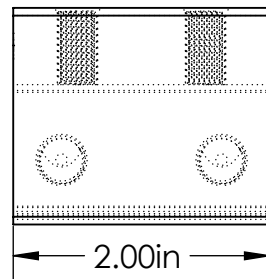
(2x) M8-1.25 Threaded Hole



Back

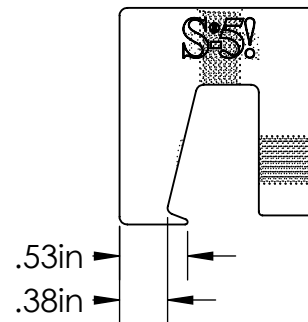


Left

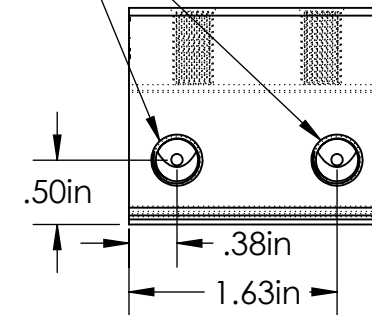


(2x) 3/8-24 Threaded Hole

Front

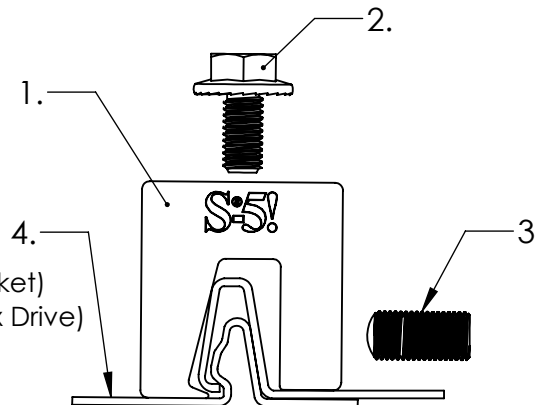


Right



General Notes:

1. S-5-N Clamp
2. M8-1.25 Stainless Steel Hex Flange Bolt (13mm Socket)
3. 3/8-24 Stainless Steel Round Point Setscrew (3/16 Hex Drive)
4. Example Roof



FOR STANDING SEAM SPECIFIC MECHANICAL LOAD TEST INFORMATION AND CLAMP INSTALLATION INFORMATION PLEASE VISIT: WWW.S-5.COM

| | | | | | |
|---|--|---|--|--|--|
| MATERIAL: 6061 T6 Al | |  | | METAL ROOF INNOVATIONS, LTD. 8655 TABLE BUTTE RD COLORADO SPRINGS, CO 80908 719-495-0518 719-495-0045(FAX) | |
| EST ASSEMBLY WEIGHT: 0.431 lbs | | | | TITLE S-5-N | |
| SUPPLIED HARDWARE: M8-1.25 x 1.6 mm Bolt (2X) 3/8-24 x .800" Setscrews | | SCALE: 1:1.5 | | DRAWING NO. N72-A-2-C | |
| EST. WEIGHT: Clamp: 0.362 lbs Setscrew: 0.0170 lbs Bolt: 0.0345 lbs | | DRAWN BY Paul Leitch | | DATE 5/12/2017 | |
| <small>S-5!® PRODUCTS ARE PROTECTED BY MULTIPLE U.S. AND FOREIGN PATENTS. VISIT OUR WEBSITE AT WWW.S-5.COM FOR COMPLETE INFORMATION ON PATENTS AND TRADEMARKS.</small> | | | | | |